

Installation Instructions

Joint Series: 1175 Foam Seal

Recommended Tools

- Tape Measure, Sharp Knife, Miter Saw, Painters Tape, Denatured Alcohol, Wood Wedges, Caulking Gun, Caulking Trowel, Duct Tape, 2 Empty Clean 1 Gallon Containers, Lint Free Rags

Items Included

- Elastomeric Flexible Sealant
- 1175 Foam Sticks
- Required Color Match Silicone Sealant
- Required Epoxy

Material Sizing

- Measure joints every 5-7 feet [1.5-2m] to ensure the opening is correct for the supplied material. Verify joint depth is sufficient to fully recess foam.

Material Preparation

- Store the material at a minimum of 68°F [20°C] for at least 24 hours before the installation, regardless of the temperature at the installation site.

- **NOTE:** Storing material in cold temperature will increase the amount of time required for the foam seal to fully expand.

- Store the materials in a dry enclosed area. Keep material off the ground and out of direct sunlight. Do not allow water to come into contact with the foam until fully installed, sealed and cured!

Joint Preparation

Concrete:

- Verify the joint is clean and sound and is an appropriate surface for installation of the joint sealant. Apply alcohol to a clean cloth and wipe the joint walls to the depth of 1" [25mm] below the sealant material. Sand blast both sides of joint as deep as the foam system requires (see details or technical data). Keep the nozzle a max distance of 2" from substrate. Use compressed air to clear any loose debris from the joint.

- Ensure Joint is parallel along entire length, joint depth must have a depth greater than or equal to the full depth of the material, plus 1/2" [6mm] See FIG A

- Verify that the joint is uniform. Repair any spalls prior to installation using proper materials and methods to ensure maintenance of fire-rated wall assembly and resist water intrusion.

- Apply protective blue painters tape to the joint face edges to prevent silicone and epoxy from contacting the deck surface.

Metal (Applicable for deck pour stops when the exposed metal at under side of deck is fire proofed):

- Confirm that the metal is clean and has no secondary finishes.

- Solvent-wipe the substrate just prior to applying epoxy. Sand blast both sides of joint as deep as the foam system requires (see details or technical data). Keep the nozzle a max distance of 2" from substrate.

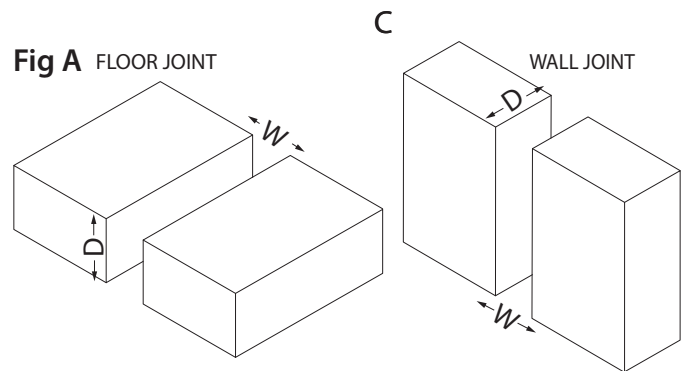
IMPORTANT: Ensure that there is no rust and no secondary finishes remain on metal substrates before the epoxy is applied.

Important Note on Pre-Compressed Foam Seal:

- Material is made to order, Keeping Pre-Compressed foam seals in storage for longer than 2 weeks will greatly increase the amount of time required for the foam seal to reach maximum expansion.

- **NOTE:** Material may take up to 72 hrs. to fully expand.

- **NOTE:** In cold temperature installations, provide as much ambient heat as possible around the installed joint (after installation) to accelerate the rate of material recovery.



IPC.1591/Rev.7

JOINTMASTER® Expansion Joint Systems

inpro.com • 800.222.5556 • 262.679.9010

World Headquarters S80 W18766 Apollo Drive, Muskego, WI 53150 USA

Installation Hotline: 866.394.6776

inpro®

Installation Instructions

Joint Series: 1175 Foam Seal

Fig 1

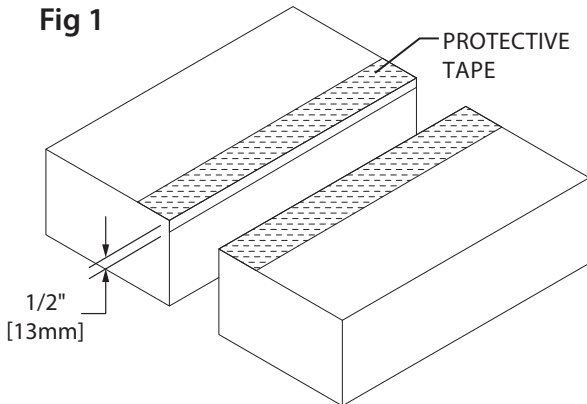


Fig 2

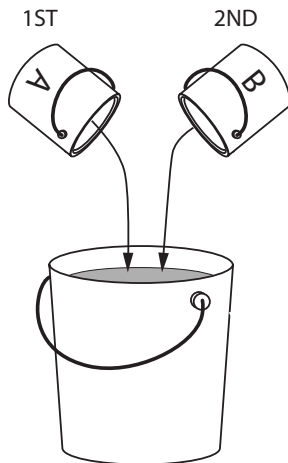
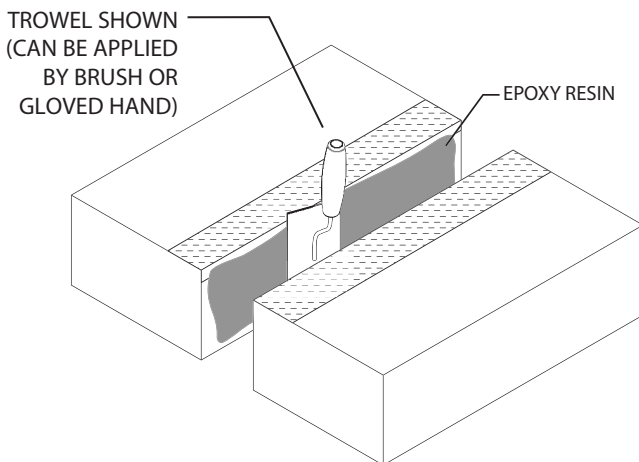


Fig 3



CRITICAL Place marks on the deck or wall surface 1" [25mm] shorter than the product length (i.e. foam received is 61" [1549mm], mark floor at 60" [1524mm] O.C.) to ensure foam is installed with proper compression at seams.

Joint Prep and Mixing Epoxy

1. Use painters tape or other suitable tape to protect exposed joint face. Return tape into the joint by 1/2" [13mm].
See Fig 1
2. Epoxy adhesive may be used in the >40°F (5°C) to 95°F (35°C) temperature range. Transfer the contents of Part B (hardener) and the contents of Part A (base) into a clean bucket.
See Fig 2

****Mix the material thoroughly with a low speed drill (300 rpm) for 3 minutes. Scrape the walls and bottom of the container to ensure uniform and complete mixing with no streaks.****

NOTE: Normal pot life at 77°F is 30 min. For every +17°F [9.5°C] epoxy cures twice as fast; While every -17°F [9.5°C] epoxy cure time doubles.

TIP: Mix only the required amount of the epoxy that will be used within 30 minutes to prevent the epoxy from curing prematurely.

WARNING: NEVER thin the epoxy

NOTE: Epoxy will harden faster when left in the mixing pot, due to the heat it generates. Because of this, apply epoxy to the joint as soon as possible to slow the curing time.

Installation

3. Using a trowel, brush, or gloved hand, apply the mixed epoxy on both sides of the joint edge in a uniform layer, to a consistent depth of 1/16" [1.5mm]. **See Fig 3**

While applying epoxy to the joint faces, others should prepare the 1175 Foam for installation into joint opening. **DO NOT** Remove the 1175 Foam from its original shrink wrapped packaging until its equivalent length of joint has been prepared

Epoxy must still be uncured, and tacky when installing the 1175 system.

Installation Instructions

Joint Series: 1175 Foam Seal

Fig 4

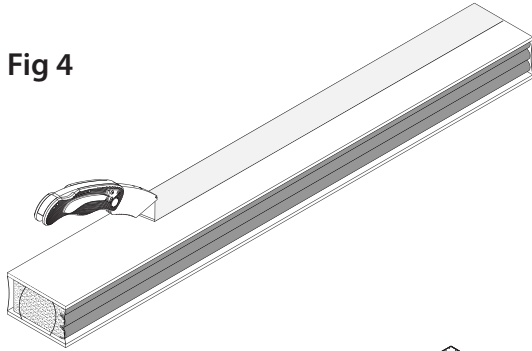
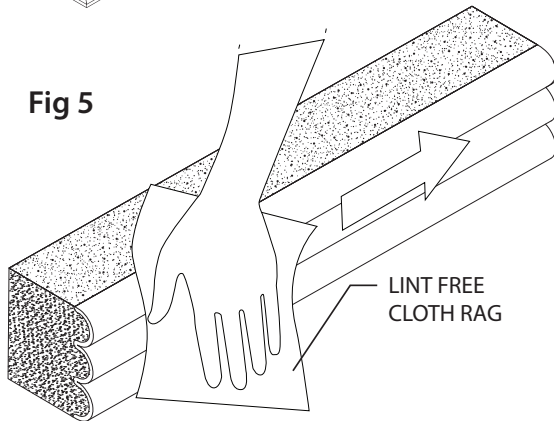
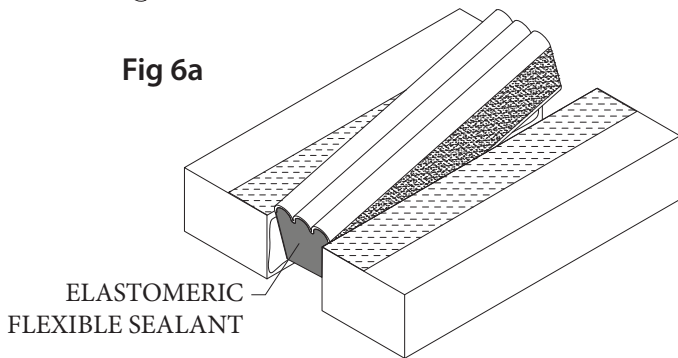


Fig 5



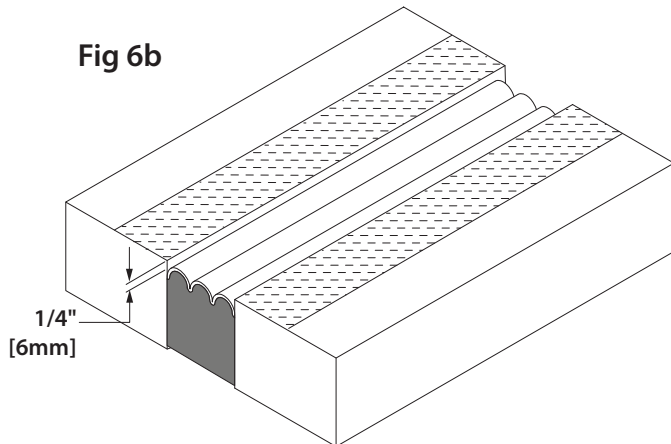
LINT FREE
CLOTH RAG

Fig 6a



ELASTOMERIC
FLEXIBLE SEALANT

Fig 6b



1/4"
[6mm]

4. To remove 1175 Foam from shrink wrap cut the plastic packaging by cutting on the hard board along the length of the stick DO NOT cut along the silicone face. Remove hard board and inner release liner. **See Fig 4**

After cutting the shrink wrap, work quickly to avoid material expanding beyond an easily installable size.

5. (Not required for uncoated material)
Silicone face may be coated in the factory with a release powder. Prior to installation, this agent must be wiped off in order for the finish bead to properly adhere along the edge of the 1175 system. **See Fig 5**

To remove the release agent, lightly and thoroughly wipe the cured silicone facing with a lint-free rag dampened with water.

6. After verifying that the epoxy on the joint has not cured, install the foam into the joint. For vertical conditions begin installation starting from the bottom of the joint working upward. **See Fig 6a**

Starting from one end of the 1175 Foam stick, insert material into the joint opening, ensure the silicone surface of the seal is facing outwards. The material should fit securely and must be installed into the substrate to the fully installed depth, usually 1/4" [6mm] below joint surface. When the material has expanded to a secure fit, it will support itself while the epoxy cures. **See Fig 6b**

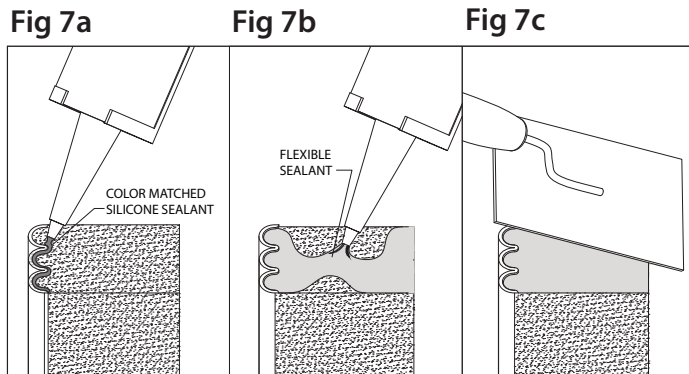
Use of wood shims or wedges may be necessary to compress foam in place at first.

NOTE: Ensure joint material is not stretched during installation by aligning seams with marks on the deck/wall applied before Step 1.

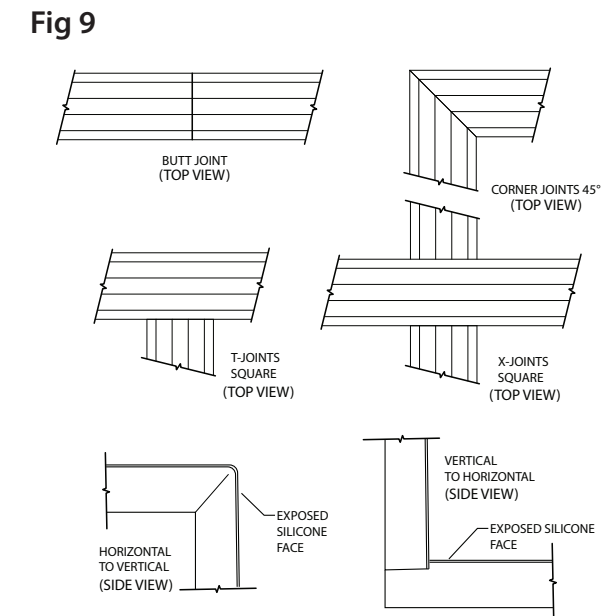
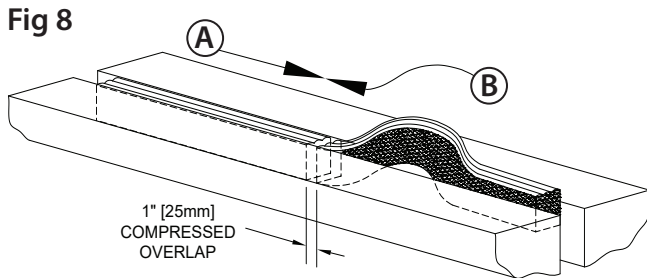
NOTE: Any joint that terminates with an exposed end and not terminating into another stick or structural termination **MUST** be coated on exposed end with elastomeric flexible sealant after the system is installed, or by applying to terminating substrate. This will ensure the joint is properly terminated and exposed end of foam seal is protected from water absorption.

Installation Instructions

Joint Series: 1175 Foam Seal



NOTE: Joint substrate not shown to aid in clarity only



7. After the first 1175 stick is installed to the proper depth, run a continuous bead of supplied color matched silicone along the edge of the silicone bellows. **See Fig 7a**

Apply the supplied elastomeric flexible sealant on the end of the installed Fire Rated Foam, ensuring to completely entomb end in sealant. **See Fig 7b**

Flatten the elastomeric flexible sealant to an even 1/16" [2mm] thickness. **See Fig 7c**

8. To install next length of 1175 Foam, repeat instructions 3-6. Verify that the new piece of material is cut square and not at an angle to the previous material installed.

Tip: Apply denatured alcohol to the knife for a smoother cut or heat blade with propane torch for easy cuts.

***Critical*:** All seams must be in compression with previous seal. Install with 1" [25mm] compressed overlap and ensure alignment with previously applied marks on the deck. Install the far end of the seal and work back towards the previous piece. **See Fig. 8**

9. "T" and "+" Intersections:

Install horizontal material first. Butt the vertical material up to the horizontal material following steps 1+2.

10. Horizontal To Vertical Intersections: (Inside Corner)

Begin the installation at the horizontal condition. At the point of transition cut a V-notch in the back of the foam seal, making sure not to cut through the face of the seal. Fold foam seal downward, and seal the connection with the provided elastomeric flexible splicing sealant.

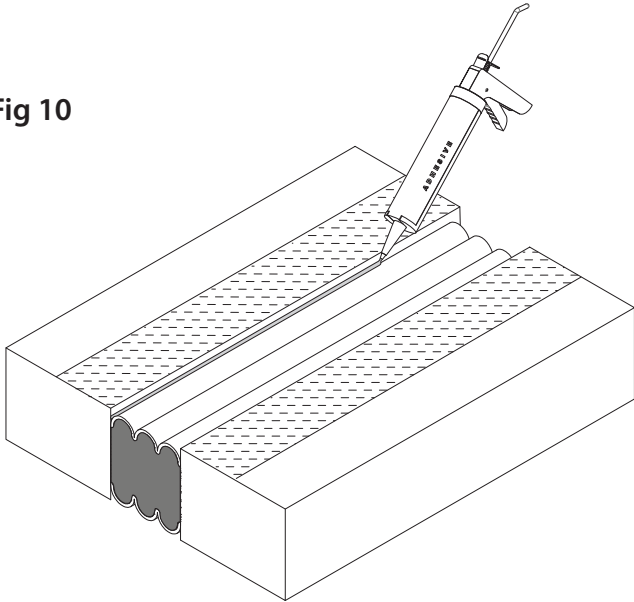
11. Vertical to Horizontal Intersections: (Outside Corner)

Starting at one end, cut the silicone face of the horizontal foam seal to create a matching notch for the vertical seal to seat in. Install horizontal seal, then continue installing vertical seal. Seal the connection with the provided elastomeric flexible splicing sealant and silicone.

Installation Instructions

Joint Series: 1175 Foam Seal

Fig 10



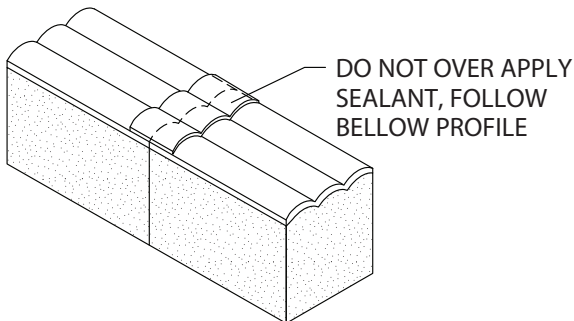
Finishing - Fig 10 - 12

12. Use the matching silicone sealant to inject a bead (1/2" [13mm] max depth) along each edge of the joint to fill any irregularities in the substrate. **See Fig 10**
13. Tool the silicone over all seams and transitions using a small caulking tool.
14. Evenly spread the silicone on exposed seams to allow for a clean, aesthetic finish.
15. **Important:** When siliconing seams or transitions at face seal, ensure bellow profile is carefully followed to allow joint to flex. **See Fig 11**
16. Remove any excess silicone left on the surface of the material or substrate.

WARNING: Do not allow the silicone to cure before removal.

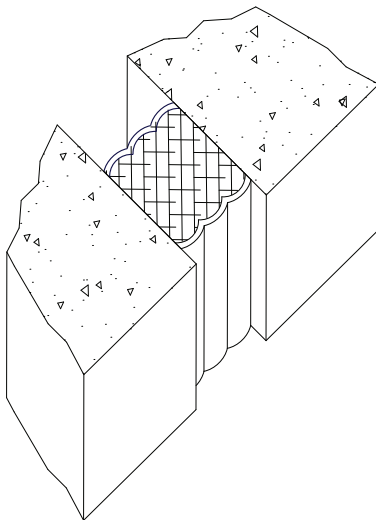
17. Remove the protective tape from the substrate surface.

Fig 11



NOTE: Joint substrate not shown to aid in clarity only

Fig 12



JOINTMASTER® Expansion Joint Systems

inpro.com • 800.222.5556 • 262.679.9010

World Headquarters S80 W18766 Apollo Drive, Muskego, WI 53150 USA

Installation Hotline: 866.394.6776

inpro®