

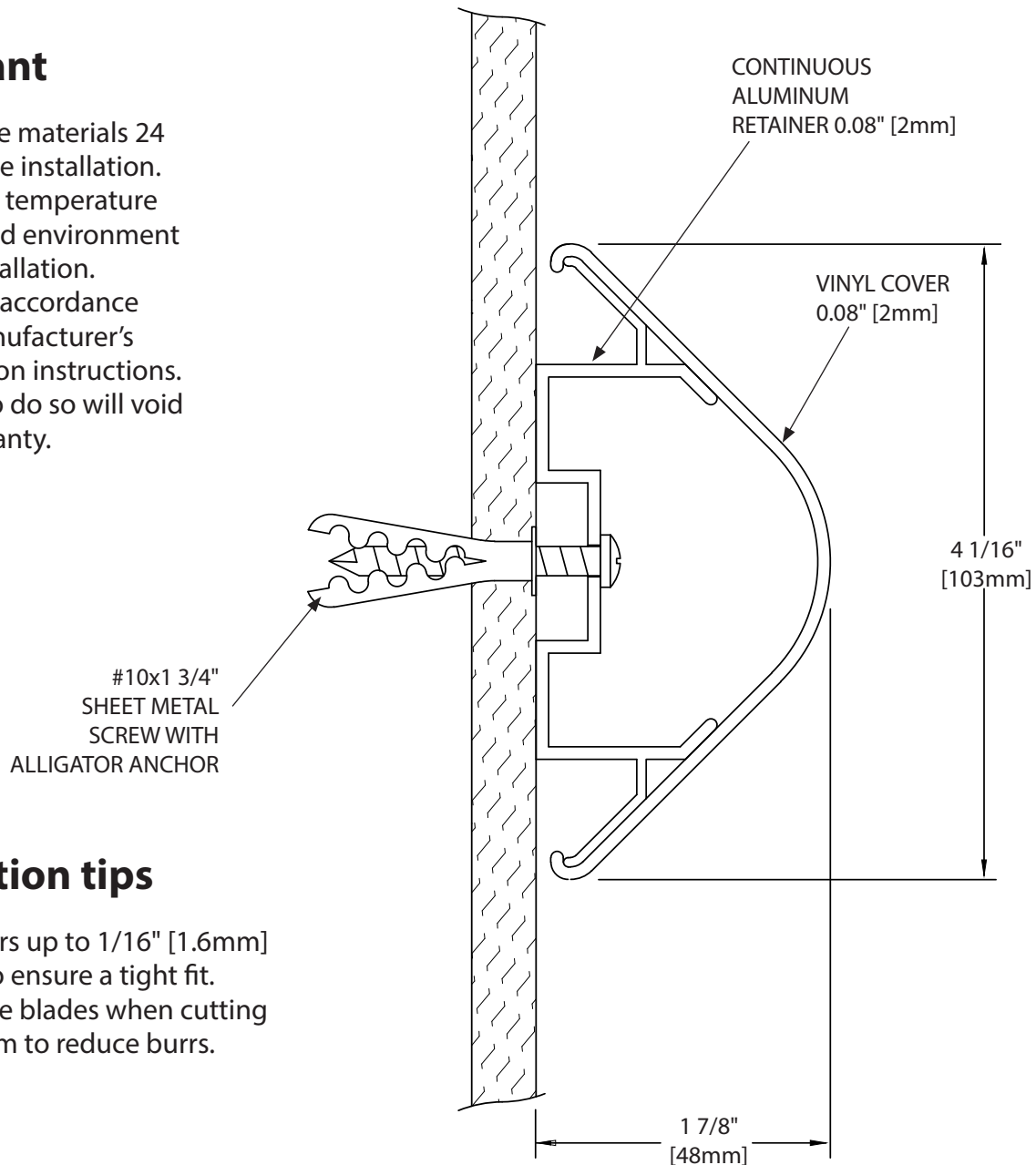
Installation Instructions

1300 Wall Guard Bed Locator

Please read all instructions before installing wallguard.

Important

1. Acclimate materials 24 hrs before installation. Maintain temperature controlled environment after installation.
2. Install in accordance with manufacturer's installation instructions. Failure to do so will void the warranty.



SECTION VIEW

RECOMMENDED TOOLS

Safety Glasses, Tape Measure, Power Drill, Drill Bits - 1/4" masonry (concrete/concrete block), Power Miter Saw, 10" Blade with 60-80 Carbide Tipped Teeth

IPC.3544/REV.

IPC® Door + Wall Protection

inpro.com • 800.222.5556 • 262.679.9010

World Headquarters S80 W18766 Apollo Drive, Muskego, WI 53150 USA

Installation Hotline: 866.394.6776

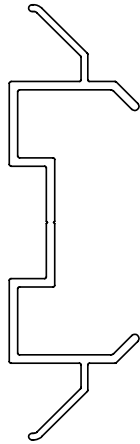
inpro®

Installation Instructions

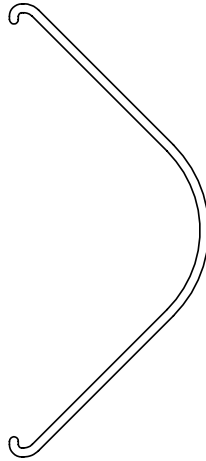
1300 Wall Guard Bed Locator

Please read all instructions before installing wallguard.

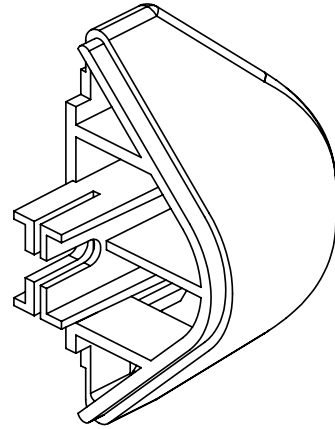
Components and Fasteners



1300A
CONTINUOUS ALUMINUM



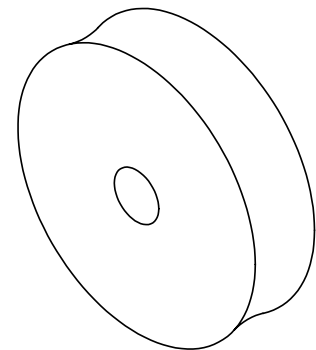
1300V
VINYL COVER



1302
END CAP



1001
BRACKET
(OPTIONAL)



501
RUBBER SPACER
1/2" THICK
(OPTIONAL)

Wall Condition	Specified Fasteners	Inpro part #
Gypsum Wall	#10 1 3/4" Phillips pan head sheet metal screw with alligator anchor	HWK-WG/CR
Returns hardware kit	1/4" x 20 Serrated Flange hex bolt with Serrated Flange hex nut	HWK-HRR
Corners hardware kit	1/4" x 20 Serrated Flange hex bolt with Serrated Flange hex nut	HWK-HRC

IPC® Door + Wall Protection

inpro.com • 800.222.5556 • 262.679.9010

World Headquarters S80 W18766 Apollo Drive, Muskego, WI 53150 USA

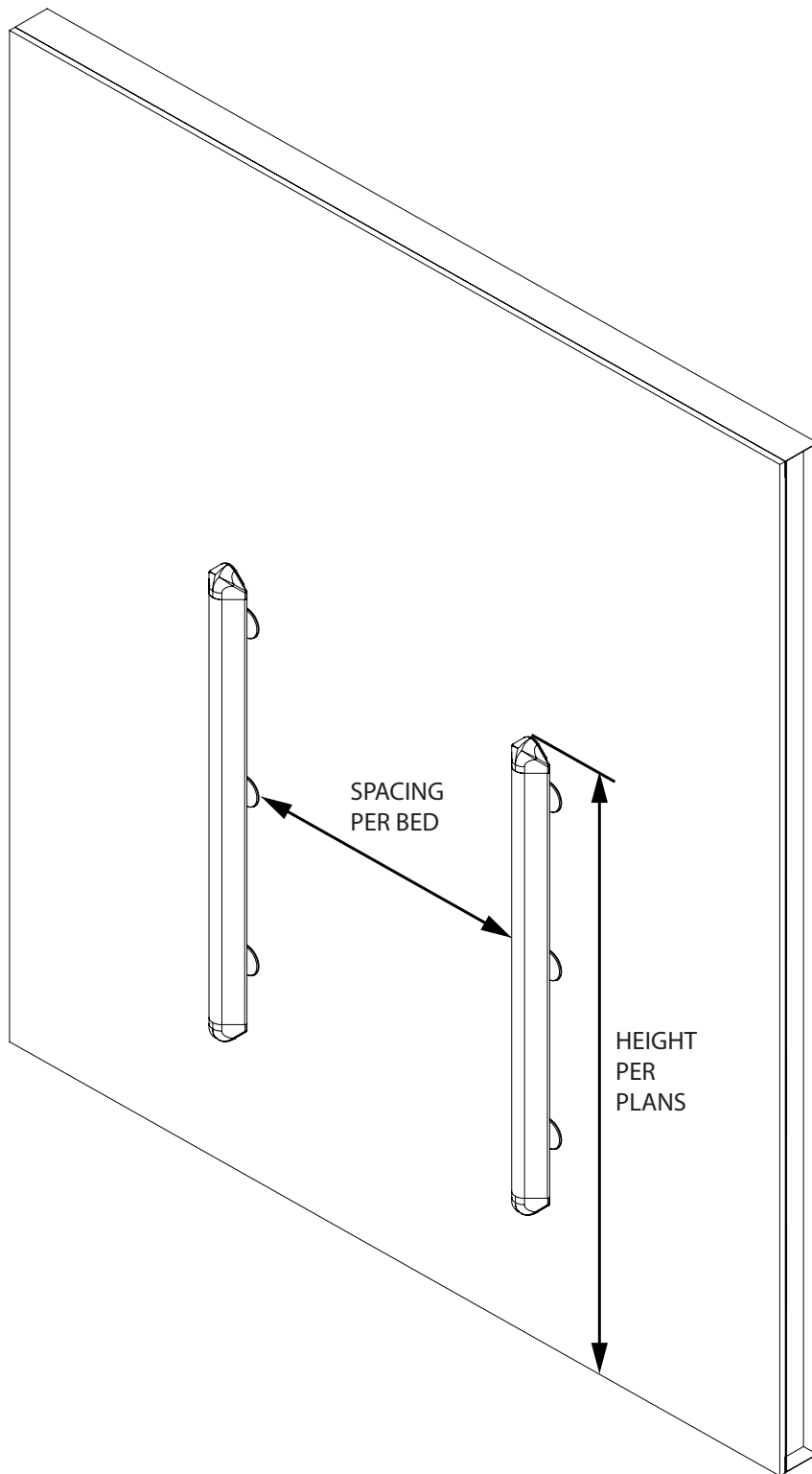
Installation Hotline: 866.394.6776

inpro®

Installation Instructions

1300 Wall Guard Bed Locator

Please read all instructions before installing wallguard.



IPC® Door + Wall Protection

inpro.com • 800.222.5556 • 262.679.9010

World Headquarters S80 W18766 Apollo Drive, Muskego, WI 53150 USA

Installation Hotline: 866.394.6776

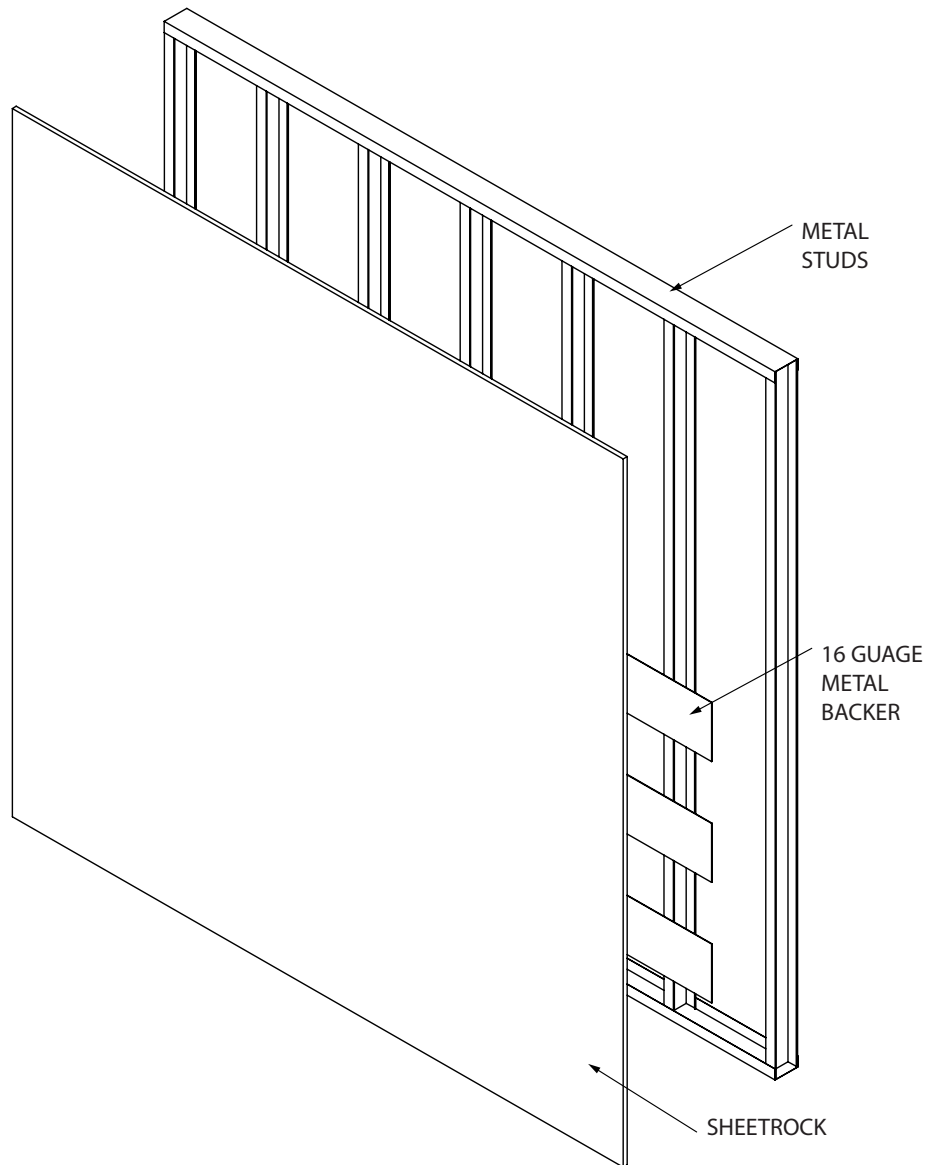
inpro®

Installation Instructions

1300 Wall Guard Bed Locator

Please read all instructions before installing wallguard.

1. Construct the wall with metal studs and 16 guage metal backer. Locate backer so brackets are centered over the metal backer.



IPC® Door + Wall Protection

inpro.com • 800.222.5556 • 262.679.9010

World Headquarters S80 W18766 Apollo Drive, Muskego, WI 53150 USA

Installation Hotline: 866.394.6776

inpro®

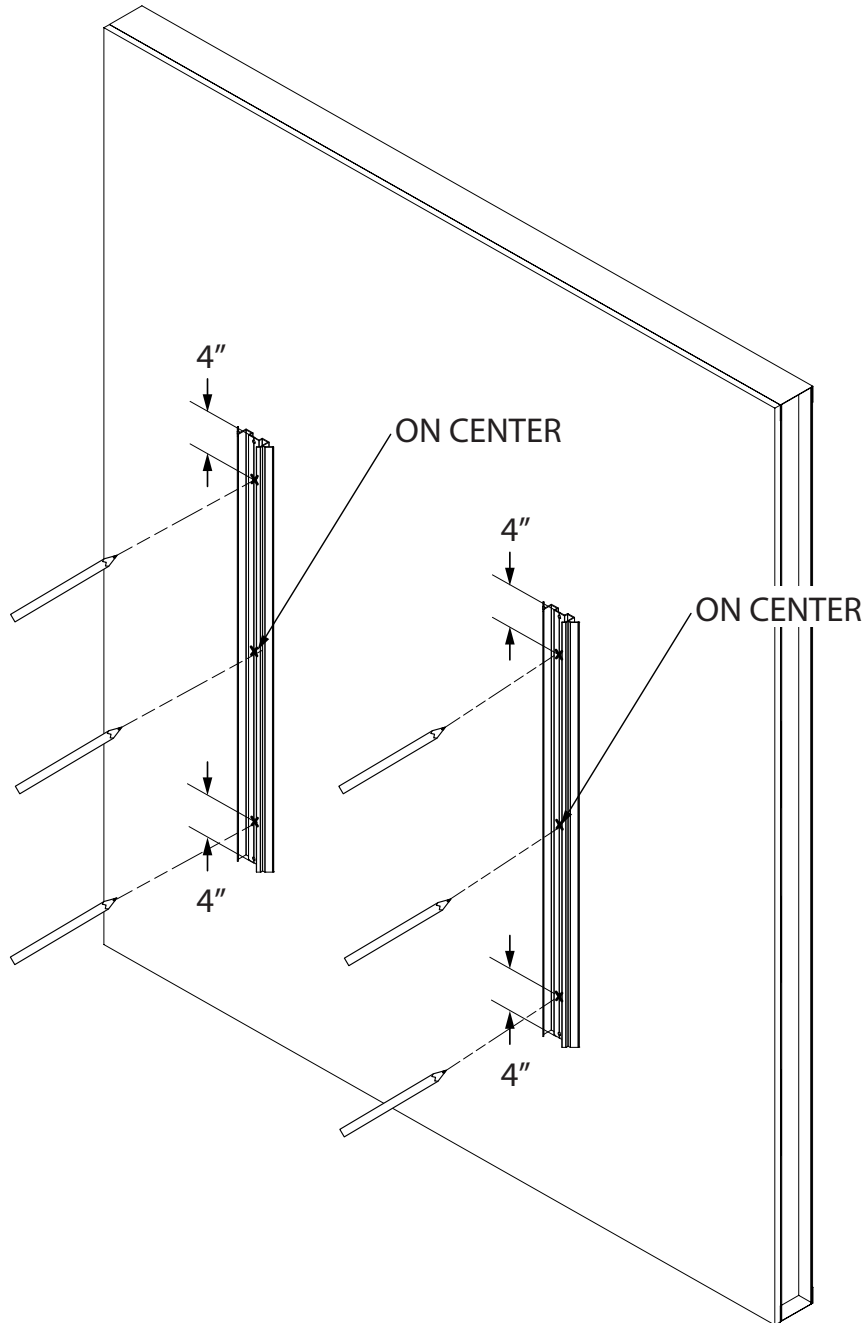
Installation Instructions

1300 Wall Guard Bed Locator

Please read all instructions before installing wallguard.

2. Determine the location of the bed locator on the wall. Cut the aluminum retainer to length. Drill holes in the aluminum retainer for the brackets and the end caps. Brackets are spaced 4" (102mm) from each end and one in the middle of the aluminum retainer.

3. Transfer the bracket hole locations from the aluminum retainer to the wall. Drill 3/4" (19mm) holes in the wall for the brackets.



IPC® Door + Wall Protection

inpro.com • 800.222.5556 • 262.679.9010

World Headquarters S80 W18766 Apollo Drive, Muskego, WI 53150 USA

Installation Hotline: 866.394.6776

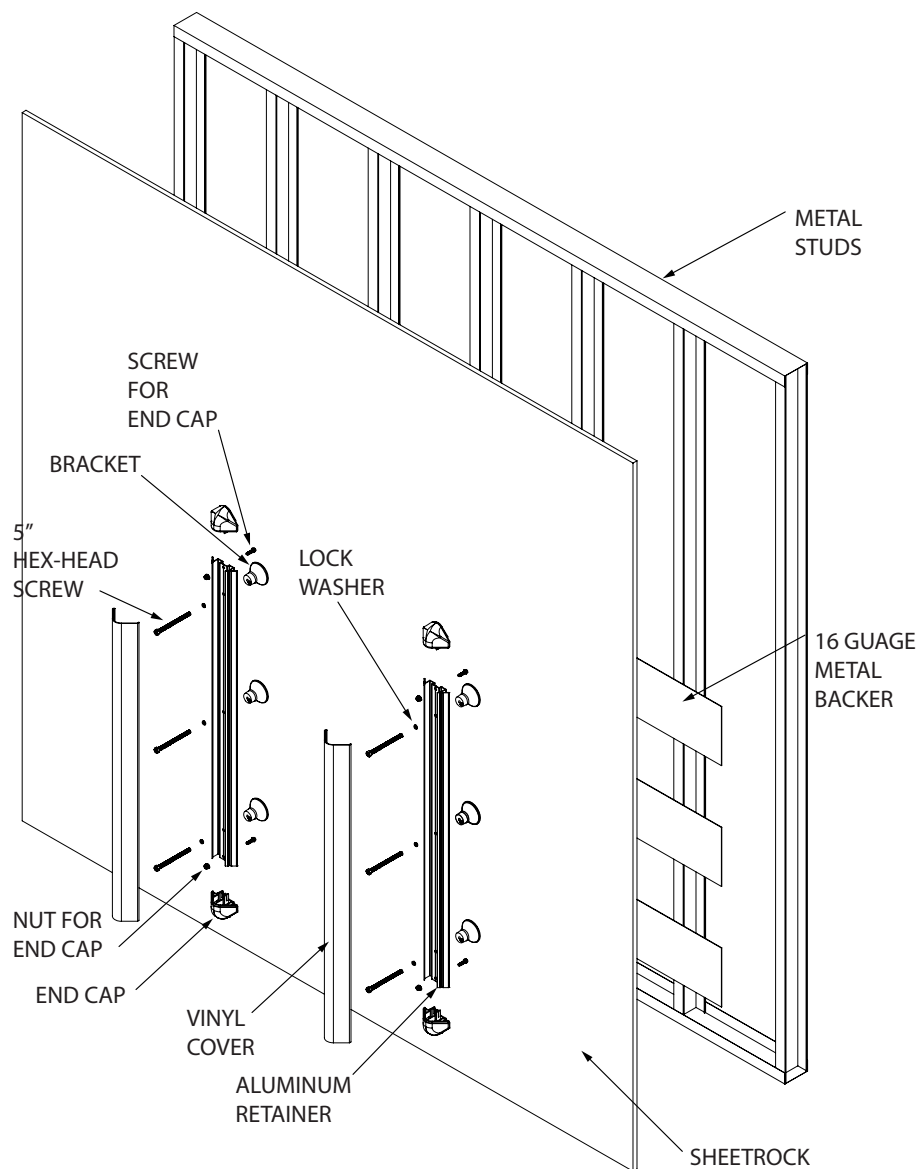
inpro®

Installation Instructions

Please read all instructions before installing wallguard.

1300 Wall Guard Bed Locator

- Slide end caps onto the aluminum retainer and fasten them with the serrated flange screws and nuts.
- Loosely attach the brackets to the aluminum retainer with the 5" (127mm) hex head screws, lock washer and toggle wing.
- Lift the retainer assembly to the wall and push the toggle wings into the holes. Plumb the retainer and tighten until secure.
- Cut the cover to the distance between the end caps. Snap the cover on the retainer.



IPC® Door + Wall Protection

inpro.com • 800.222.5556 • 262.679.9010

World Headquarters S80 W18766 Apollo Drive, Muskego, WI 53150 USA

Installation Hotline: 866.394.6776

inpro®