

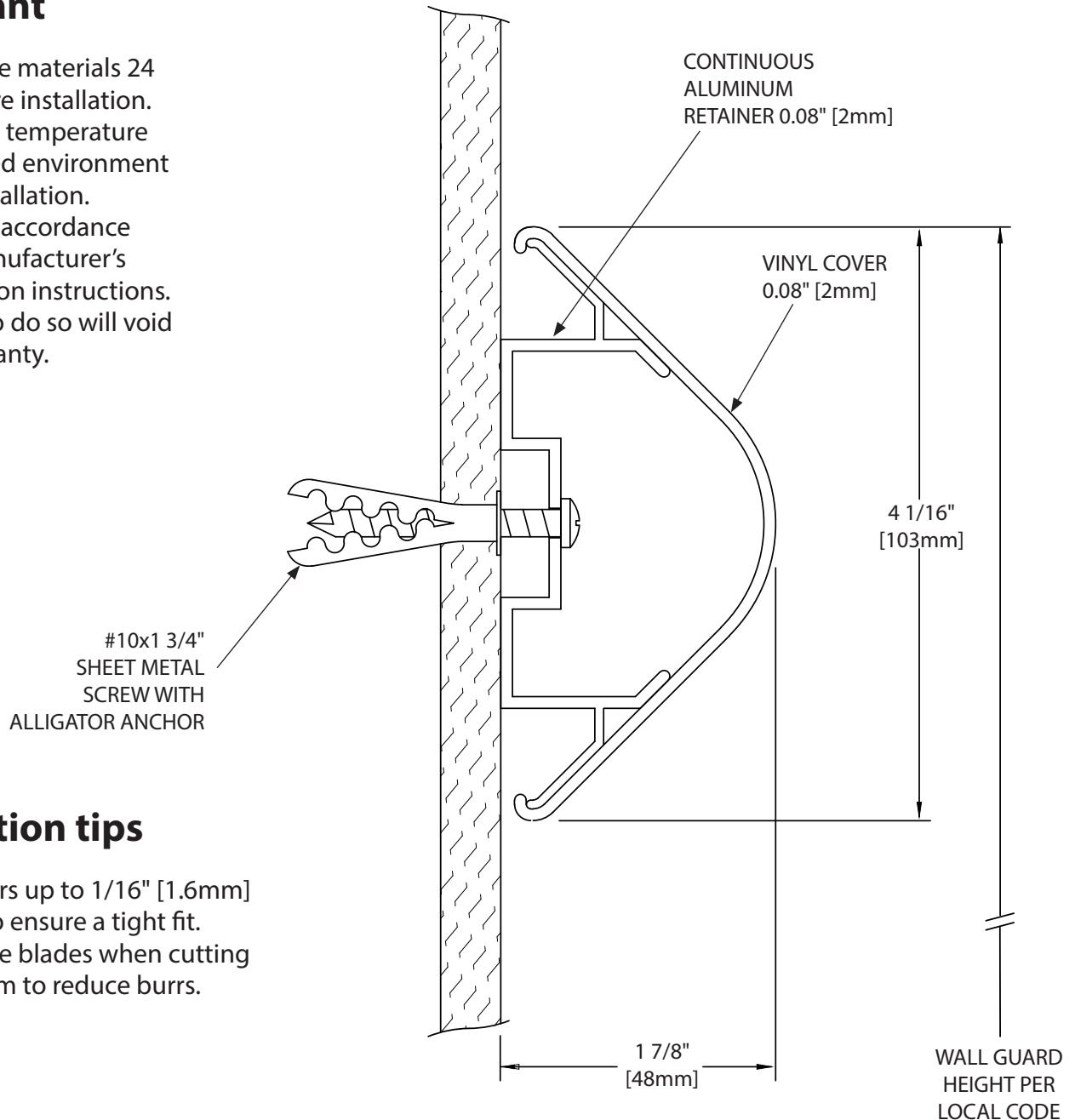
Installation Instructions

1300/G2-1300 Wall Guard

Please read all instructions before installing Wall Guard.

Important

1. Acclimate materials 24 hrs before installation. Maintain temperature controlled environment after installation.
2. Install in accordance with manufacturer's installation instructions. Failure to do so will void the warranty.



Installation tips

1. Cut covers up to 1/16" [1.6mm] longer to ensure a tight fit.
2. Lubricate blades when cutting aluminum to reduce burrs.

SECTION VIEW

RECOMMENDED TOOLS

Safety Glasses, Tape Measure, Power Drill, Drill Bits - 1/4" masonry (concrete/concrete block), Power Miter Saw, 10" Blade with 60-80 Carbide Tipped Teeth

IPC.343/REV.7

Installation Hotline . 866.EZINPRO

Inprocorp.com . 800.222.5556 . 262.679.9010

World Headquarters S80 W18766 Apollo Drive, Muskego, WI 53150 USA

IPC® •

DOOR + WALL PROTECTION SYSTEMS

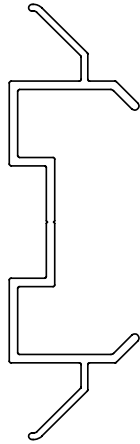
A DIVISION OF INPRO®

Installation Instructions

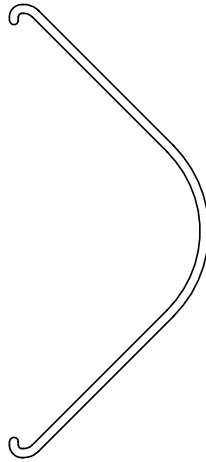
1300/G2-1300 Wall Guard

Components and Fasteners

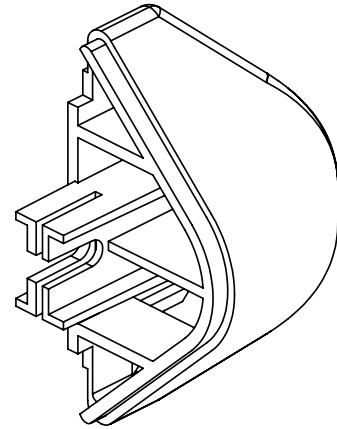
Please read all instructions before installing Wall Guard.



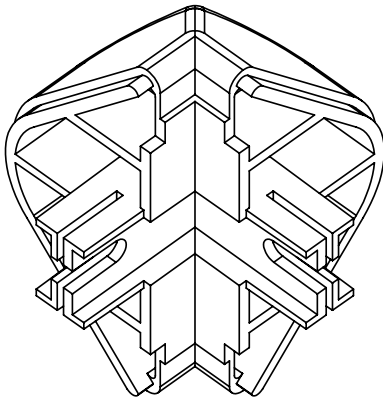
1300A
CONTINUOUS ALUMINUM



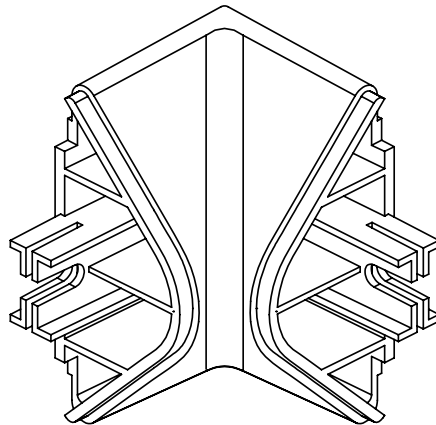
1300V
VINYL COVER



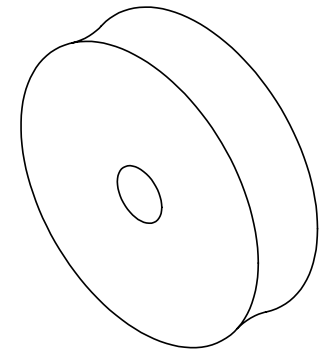
1302
END CAP



1303
OUTSIDE CORNER, 90°



1307
INSIDE CORNER, 90°



501
RUBBER SPACER
1/2" THICK
(OPTIONAL)

Wall Condition	Specified Fasteners	Inpro part #
Gypsum Wall	#10 1 3/4" Phillips pan head sheet metal screw with alligator anchor	HWK-WG/CR
Returns hardware kit	1/4" x 20 Serrated Flange hex bolt with Serrated Flange hex nut	HWK-HRR
Corners hardware kit	1/4" x 20 Serrated Flange hex bolt with Serrated Flange hex nut	HWK-HRC

Installation Hotline . 866.EZINPRO

Inprocorp.com . 800.222.5556 . 262.679.9010

World Headquarters S80 W18766 Apollo Drive, Muskego, WI 53150 USA

IPC® •

DOOR + WALL PROTECTION SYSTEMS

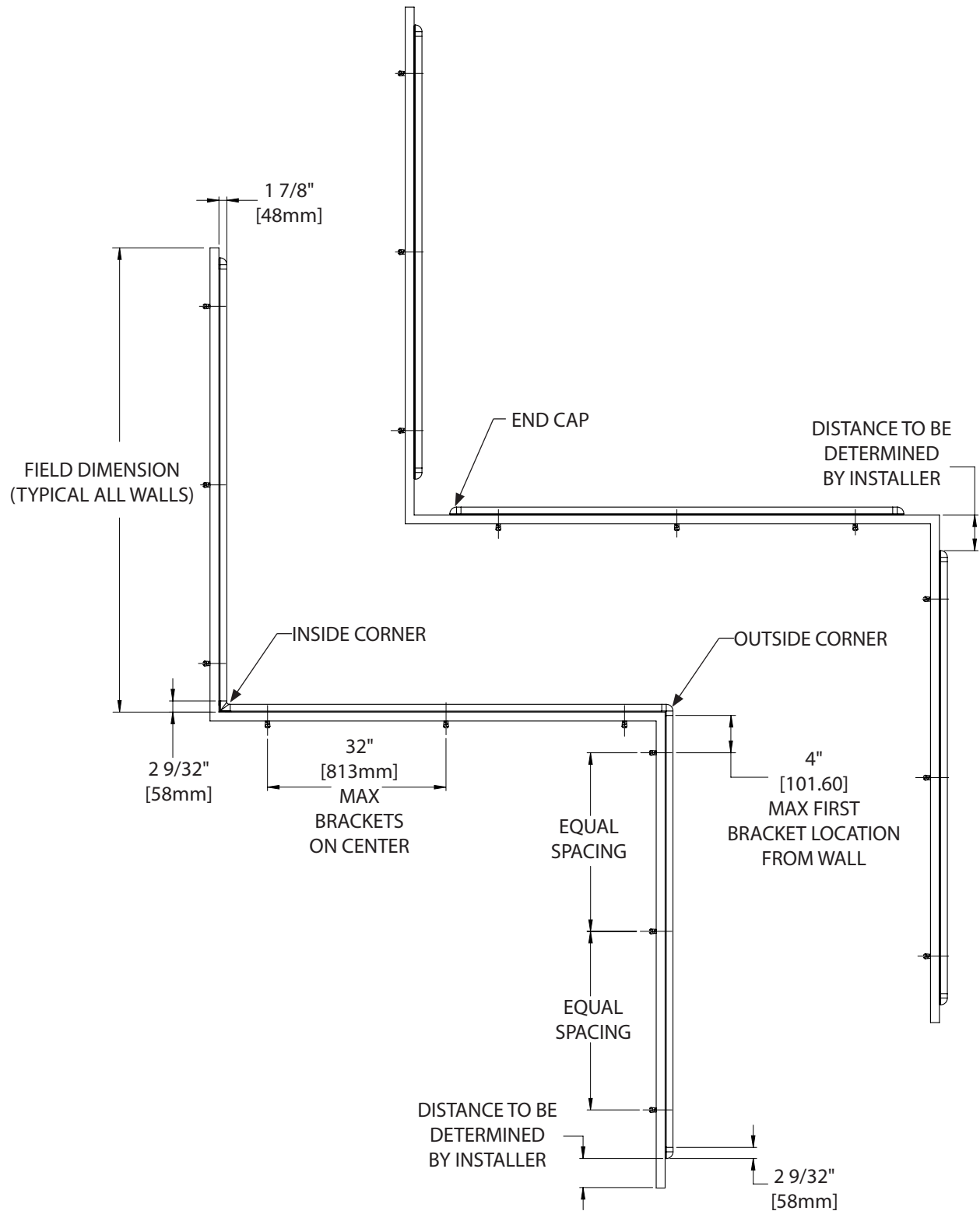
A DIVISION OF INPRO®

Installation Instructions

1300/G2-1300 Wall Guard

Please read all instructions before installing Wall Guard.

Layout View



Installation Hotline . 866.EZINPRO

Inprocorp.com . 800.222.5556 . 262.679.9010

World Headquarters S80 W18766 Apollo Drive, Muskego, WI 53150 USA

IPC®

DOOR + WALL PROTECTION SYSTEMS

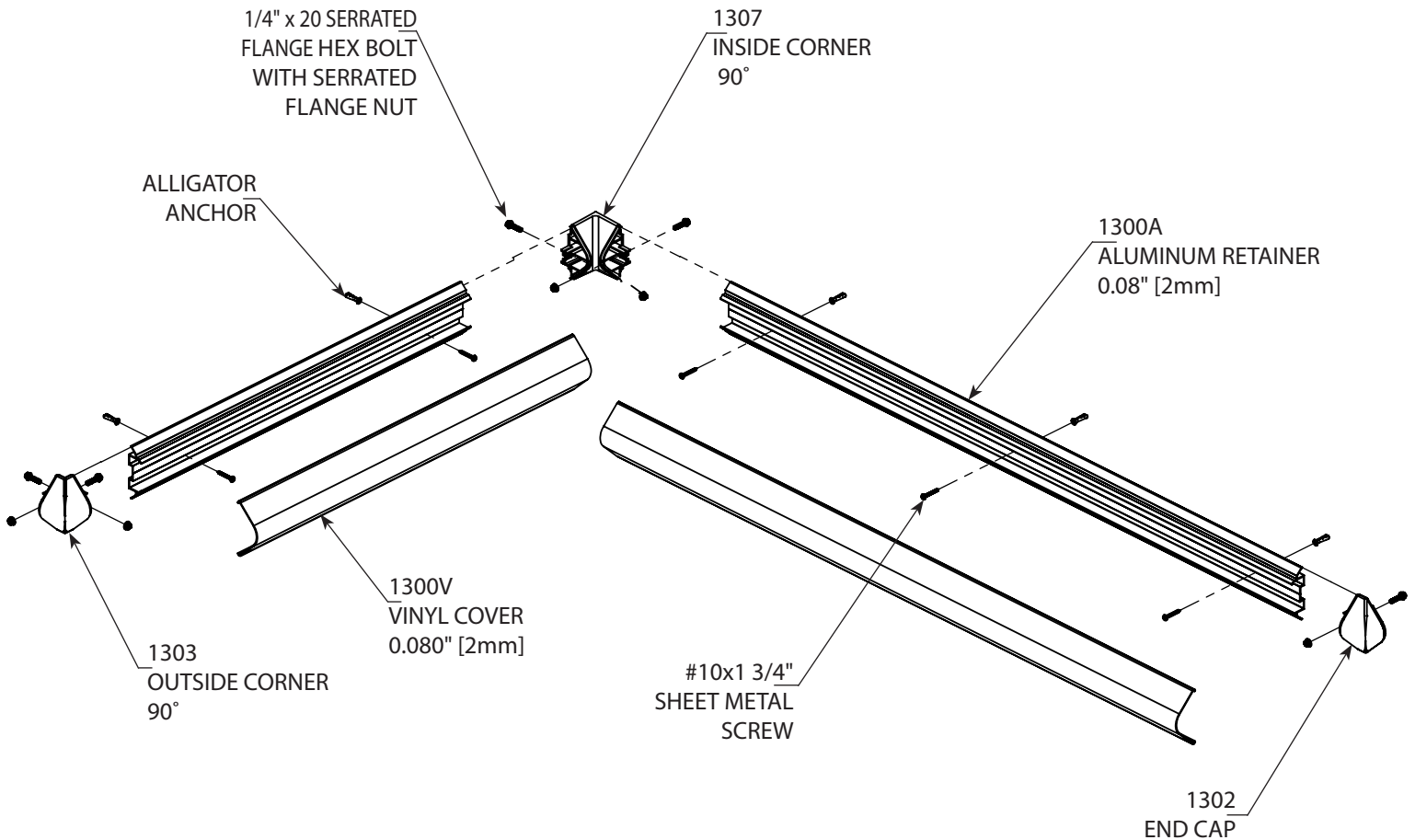
A DIVISION OF INPRO®

Installation Instructions

1300/G2-1300 Wall Guard

Exploded Assembly View

Please read all instructions before installing
Wall Guard.



Installation Hotline . 866.EZINPRO

Inprocorp.com . 800.222.5556 . 262.679.9010

World Headquarters S80 W18766 Apollo Drive, Muskego, WI 53150 USA

IPC® •

DOOR + WALL PROTECTION SYSTEMS

A DIVISION OF INPRO®

Installation Instructions

1300/G2-1300 Wall Guard

Please read all instructions before installing Wall Guard.

FIG. 1

1. Cut aluminum retainer to desired length, leaving allowance for end caps, inside corners and outside corners. (See Figure 1.)

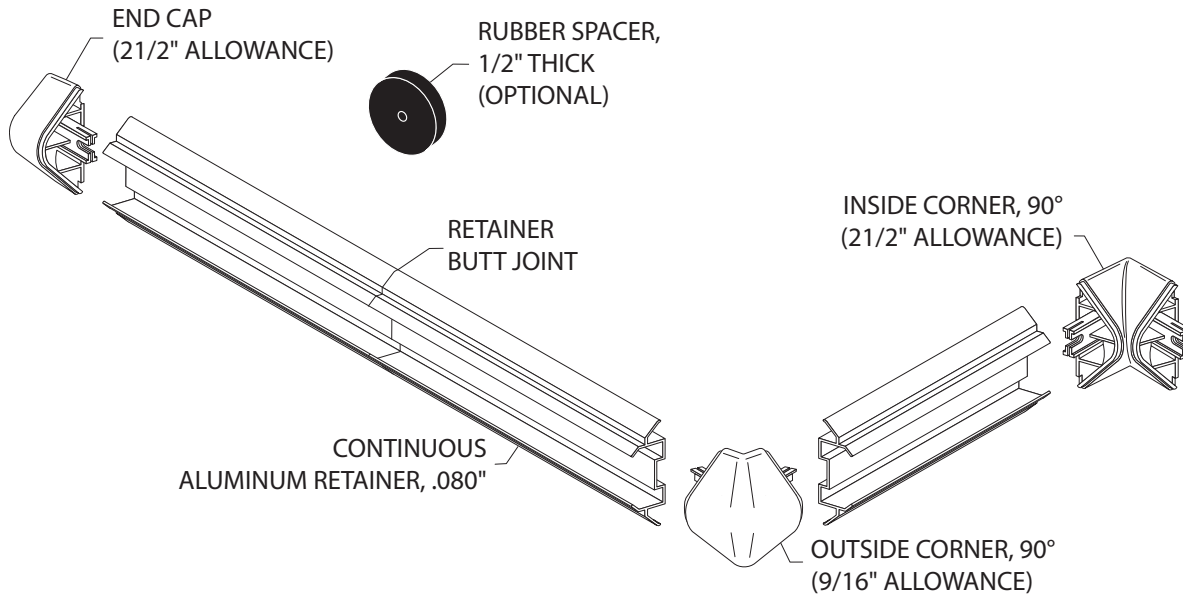
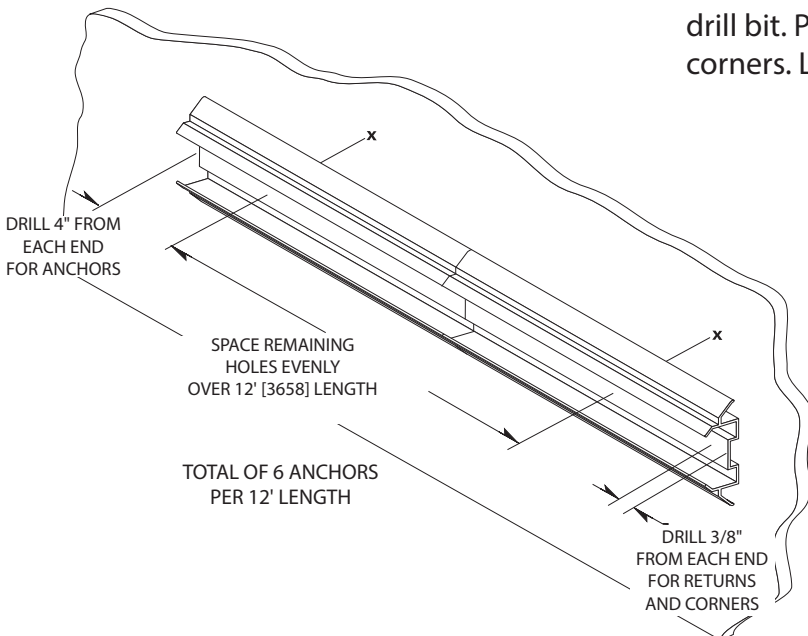


FIG. 2

2. Drill holes in centerline of retainer using 1/4" [6mm] drill bit. Position retainer on wall allowing for end caps/corners. Level and mark anchor holes. (See Figure 2.)



Installation Hotline . 866.EZINPRO

Inprocorp.com . 800.222.5556 . 262.679.9010

World Headquarters S80 W18766 Apollo Drive, Muskego, WI 53150 USA

IPC®

DOOR + WALL PROTECTION SYSTEMS

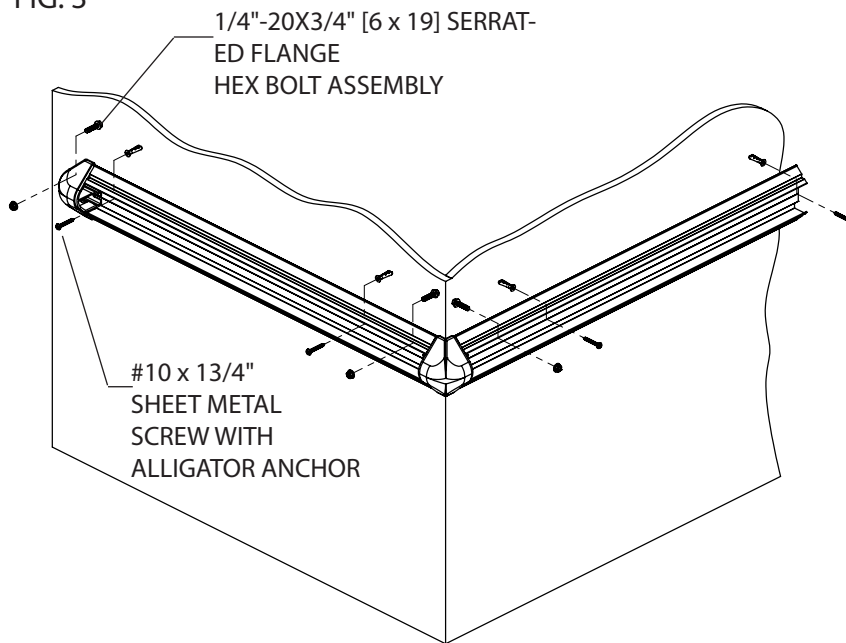
A DIVISION OF INPRO®

Installation Instructions

1300/G2-1300 Wall Guard

Please read all instructions before installing Wall Guard.

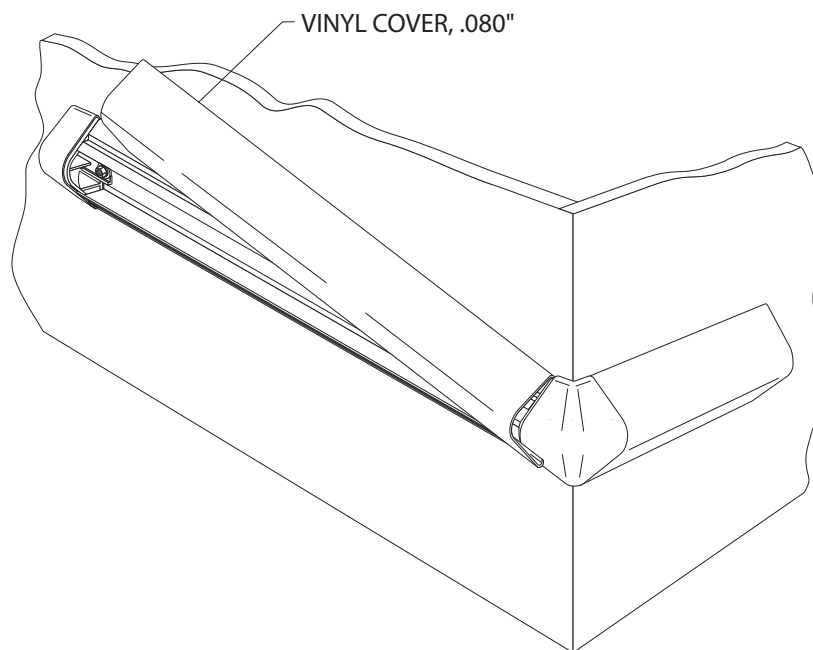
FIG. 3



3. Drill marked holes on wall using a 1/4" [6mm] drill bit and position Alligator anchors into holes. Slide end caps and corners onto the retainer and secure, leaving a 1/16" [1.5] gap between end caps/corners and retainer to allow for adjustment. Mount assembled retainer on wall and tighten screws to secure. (See Figure 3.)

NOTE: If rubber spacers are used, attach them behind the retainer at all mounting hole locations including those for end caps and corners.

FIG. 4



4. Cut the cover to length between returns and/or corners. NOTE: Trim factory edges square before installation. Position cover on retainer and adjust returns and/or corners for a tight fit. Starting at one end, push cover onto retainer until it snaps into place. (See Figure 4.)

Installation Hotline . 866.EZINPRO

Inprocorp.com . 800.222.5556 . 262.679.9010

World Headquarters S80 W18766 Apollo Drive, Muskego, WI 53150 USA

IPC® •

DOOR + WALL PROTECTION SYSTEMS

A DIVISION OF INPRO®