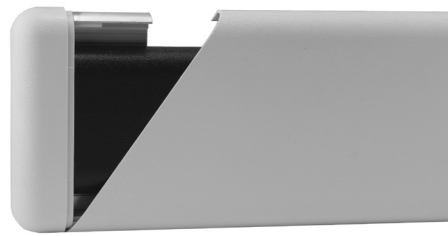
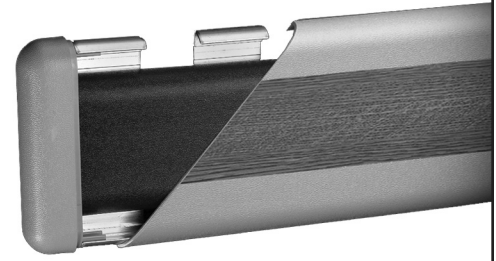


1600i/1600iW/1655i

Wall Guards

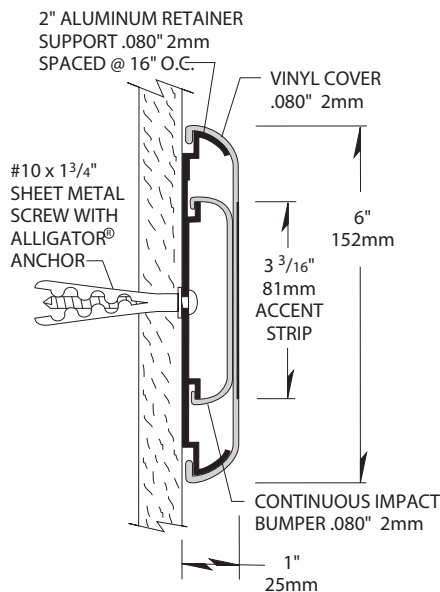


1600i



Patent #5,743,064

1655i



- 6" (152mm) of wall protection, extends 1" (25mm) from wall
- Mounted on an abbreviated aluminum retainer
- .080" (2mm) thick, scratch and stain resistant rigid vinyl cover
- Easy installation, clean-up and maintenance
- Manufactured in 12' (3.66m) standard lengths
- All mounting fasteners are included with each order
- 1655i Model - 3 3/16" (81mm) high accent strip available in several pattern and finish options.
- 1600iW Model - Manufactured with faux woodland pattern full wrap. 1600iW includes black reveals for end caps and corners
- Meets the most rigorous standards and criteria of chemical emissions as prescribed by the GREENGUARD Environmental Institute
- Has been tested and meets GREENGUARD Environmental Institute's and the state of California's requirements for low emitting products as tested by Air Quality Sciences
- Has been tested and meets the GREENGUARD Children & School chemical emissions levels



IPC.350/REV.10

1600i/1600iW/1655i Wall Guards

Suggested Specifications

PART 1 - GENERAL

1.01 SUMMARY

A.Wall guard system for wall protection and decoration

1.02 SECTION INCLUDES

A.1600i/1655i Infinity System Wall Guards

1.03 REFERENCES

A.American Society for Testing and Materials (ASTM)

B. National Building Code of Canada (NBC)

C. National Fire Protection Association (NFPA)

D.Society of Automotive Engineers (SAE)

E. Underwriters Laboratory (UL)

F. Underwriters Laboratory of Canada (ULC)

G.Uniform Building Code (UBC)

1.04 SYSTEM DESCRIPTION

A.Performance Requirements: Provide Wall Guard

Systems that conform to the following requirements of regulatory agencies and the quality control of IPC Door and Wall Protection Systems, InPro Corporation.

1. Fire Performance Characteristics: Provide UL Classified wall guards conforming with NFPA Class A fire rating. Surface burning characteristics, as determined

by UL-723 (ASTM E-84), shall be flame spread of 10 and smoke development of 350 - 450. Provide ULC (Canada) listed wall guards conforming to the requirements of the National Building Code of Canada 2010, Subsection 3.1.13. Surface burning characteristics, as determined by CAN/ULC-S102.2, shall be flame spread of 15 and smoke developed of 35.

2. Self Extinguishing: Provide wall guards with a CC1 classification, as tested in accordance with the procedures specified in ASTM D-635-74, Standard Test Method for Rate of Burning and/or Extent and Time of Burning of Self-Supporting Plastics in a Horizontal Position, as referenced in UBC 52-4-1988.

3. Impact Strength: Provide rigid vinyl profile materials that have an Impact Strength of 30.2 ft-lbs/inch of thickness as tested in accordance with the procedures specified in ASTM D-256-90b, Impact Resistance of Plastics.

4. System Impact Resistance: Provide a wall guard system that resists an impact of 97.5 lbs while producing no visual blemishes upon the vinyl cover surface and no deformations in the aluminum retainers, as tested in accordance with applicable provisions of ASTM F 476-84, paragraph 18, Impact Test.

5. GREENGUARD Certified: Provide GREENGUARD Certified material. Profiles shall meet the requirements of GREENGUARD Certification Standards for Low-Emitting Products and GREENGUARD Product Emission Standard for Children & Schools.

6. Chemical and Stain Resistance: Provide wall guards that show resistance to stain when tested in accordance with applicable provisions of ASTM D-543.

7. Fungal and Bacterial Resistance: Provide rigid vinyl that does not support fungal or bacterial growth as tested in accordance with ASTM G-21 and ASTM G-22.

8. Color Consistency: Provide components matched in accordance with SAE J-1545 - (Delta E) with a color difference no greater than 1.0 units using CIE Lab, CIE CMC, CIE LCh, Hunter Lab or similar color space scale systems.

1.05 SUBMITTALS

A.Product Data: Manufacturer's printed product data for each type of wall guard specified.

B. Detail Drawings: Mounting details with the

appropriate fasteners for specific project substrates.

C. Samples: Verification samples of wall guard, 8" (203mm) long, in full size profiles of each type and color indicated.

D.Manufacturer's Installation Instruction: Printed installation instructions for each wall guard.

1.06 DELIVERY, STORAGE AND HANDLING

A.Deliver materials in unopened factory packaging to the jobsite

B. Inspect materials at delivery to assure that specified products have been received.

C. Store in original packaging in a climate controlled location away from direct sunlight.

1.07 PROJECT CONDITIONS

A.Environmental Requirements: Products must be installed in an interior climate controlled environment.

1.08 WARRANTY

A.Standard IPC Limited Lifetime Warranty against material and manufacturing defects.

PART 2 - PRODUCTS

2.01 MANUFACTURER

A.Acceptable Manufacturer: IPC Door and Wall Protection Systems, InPro Corporation, PO Box 406 Muskego, WI 53150 USA; Telephone: 800.222.5556, Fax: 888.715.8407, www.inprocorp.com

B. Substitutions: Not permitted

C. Provide all wall guards and wall protection from a single source.

2.02 MANUFACTURED UNITS

A.Wall Guard Profile

1. 1600i Infinity System Wall Guard, 6" (152mm) height x 1" (25mm) depth, and abbreviated aluminum retainer.

2. 1600iW, 6" (152mm) height x 1" (25mm) depth.Wall guard shall have full wrap faux woodgrain patterns and abbreviated aluminum retainer. End caps and corners shall have black reveals.

3. 1655i Infinity System Wall Guard, 6" (152mm) height x 1" (25mm) depth, with a 3-3/16" (81mm) accent strip and abbreviated aluminum retainer.

2.03 MATERIALS

A.Vinyl: Snap on cover of .080" (2mm) thickness shall be made from chemical and stain-resistant unplasticized polyvinyl chloride (uPVC) with the addition of impact modifiers. No plasticizers shall be added (plasticizers may aid in bacterial growth).

B. Aluminum: 2" (51mm) aluminum retainer supports of .080" (2mm) thickness shall be fabricated from 6063-T5 aluminum, with a mill finish.

2.04 COMPONENTS

A.End caps, inside corners, outside corners and brackets shall be made of injection molded thermoplastics.

B. Impact Bumper: Continuous impact bumper shall be extruded from recycled polyvinyl chloride.

C. Fasteners: All mounting system accessories appropriate for substrates indicated on the drawings shall be provided.

2.05 FINISHES

A.Vinyl Covers: Colors of the wall guard to be selected by the architect from the IPC finish selection. Surface shall have a pebblette texture.

B. Molded Components: End caps, inside corners, outside corners and brackets shall be of a color matching the wall guards. Surface shall have a pebblette texture.

PART 3 - EXECUTION

3.01 EXAMINATION

A.Examine areas and conditions in which the wall guard systems will be installed.

1. Complete all finishing operations, including painting, before beginning installation of wall guard system materials.

B. Wall surface shall be dry and free from dirt, grease and loose paint.

3.02 PREPARATION

A.General: Prior to installation, clean substrate to remove dust, debris and loose particles.

3.03 INSTALLATION

A.General: Locate wall guard as indicated on the approved detail drawing for the appropriate substrate, and in compliance with the IPC installation instructions. Install wall guard level and plumb at the height indicated on the drawings.

B. Installation of 1600i/1655i Wall Guards:

1. Determine the height of the top of the wall guard above the finished floor. Deduct 3" (76mm) and snap a chalk line at that height.

2. Use 10 aluminum retainer supports per 12' (3.66m) length, spaced 16" (406mm) on center. Mark the location of mounting holes on the chalk line. At the beginning and end of each run allow 1⁹/₁₆" (40mm) for end caps, 7¹/₁₆" (11mm) for outside corners, and 1⁹/₁₆" (40mm) for inside corners. Allow 1¹/₁₆" (1.6mm) between end caps/corners and the aluminum retainer support in order to allow for adjustments when attaching the vinyl cover.

3. Drill 1/4" (6mm) holes at each mark. Position ALLIGATOR anchors into the holes on the wall and use #10 x 1³/₄" phillips pan head screw to attach each aluminum retainer support to the wall. Level and tighten the aluminum retainer supports to the wall. With lengths over 12' (3.66m), use a splice for added support between vinyl butt joints. Attach the 5" (127mm) aluminum retainer with splice, in-line at the butt joint. Mount the splice 16" (406mm) on center between the aluminum retainer supports.

4. Secure the end caps and corners onto the aluminum supports, leaving a 1¹/₁₆" (1.5mm) gap for adjustments.

5. Cut the vinyl impact bumper to the distance between the inside edge of end caps and corners. When using a splice, cut bumpers to the inside edges of the splice. Position the vinyl impact bumper on the inner aluminum retainer guides at one end.

Work to the other end by pushing the impact bumper over the aluminum guides until it snaps into place.

6. Cut the vinyl cover to the distance between the end caps and corners. NOTE: Trim all factory edges square before installation. When using a splice, cut the length of the vinyl to the centerline of the splice. Position the vinyl cover on one end of the aluminum retainer supports and work to the other end by pushing the cover over the aluminum until it snaps into place.

3.04 CLEANING

A.At completion of the installation, clean surfaces in accordance with the IPC clean-up and maintenance instructions.