

# Installation Instructions

## 2500/2500W/G2-2500 Chair Rail

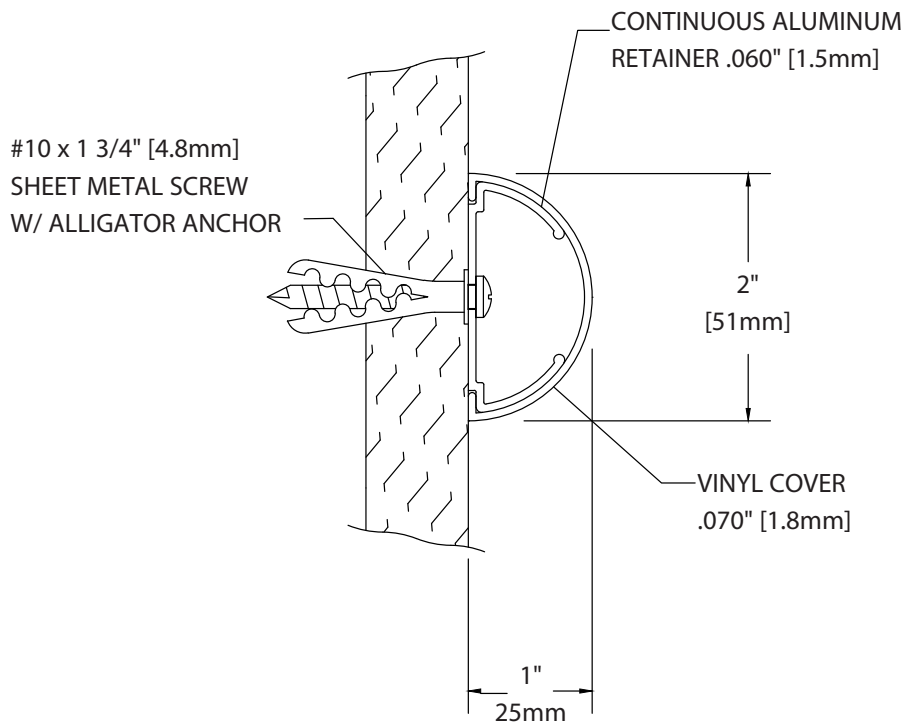
Please read all instructions before installing wallguard.

### Important

1. Acclimate materials 24 hrs before installation. Maintain temperature controlled environment after installation.
2. Install in accordance with manufacturer's installation instructions. Failure to do so will void the warranty.

### Installation tips

1. Cut covers up to 1/16" (1.6mm) longer to ensure a tight fit.
2. Lubricate blades when cutting aluminum to reduce burrs.



#### Recommended tools

Safety Glasses, Tape Measure, Level, Phillips and Flat head Screwdrivers, Power Drill, Drill Bits - 1/4" masonry (concrete/concrete block), Power Miter Saw, 10" Blade with 60-80 Carbide Tipped Teeth.

IPC.365/REV.9

IPC® Door + Wall Protection

inpro.com • 800.222.5556 • 262.679.9010

World Headquarters S80 W18766 Apollo Drive, Muskego, WI 53150 USA

Installation Hotline: 866.394.6776

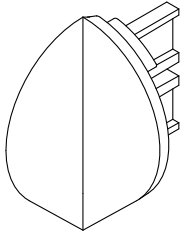
inpro®

# Installation Instructions

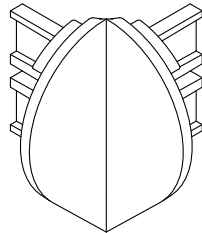
## 2500/2500W/G2-2500 Chair Rail

Please read all instructions before installing wallguard.

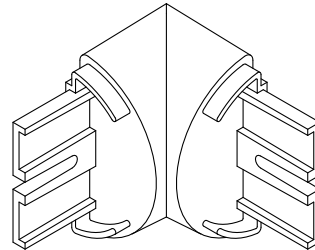
### PARTS



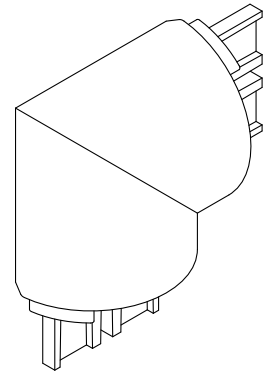
2501  
RETURN



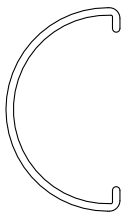
2502  
OUTSIDE  
CORNER



2503  
INSIDE  
CORNER



2504  
PICTURE-FRAME  
CORNER



2500V  
COVER



2500A-P  
COVER



#8 X 1 1/2  
PHILLIPS INDENTED  
HEX HEAD SCREW

WALL CONDITION	SPECIFIED FASTENERS	INPRO PART#
WOOD STUD/GYPSUM WALL	#8 X 1 1/2" PHILLIPS INDENTED HEX WASHER SELF-DRILLING #2PT ZP	HWK-CDW
PROFILE HARDWARE	#10 X 1 3/4" PHILLIPS PAN HEAD SHEET METAL SCREW, 1/4" ALLIGATOR ANCHOR	HWK-CR
CONCRETE/CONCRETE BLOCK	#10 X 1 3/4" PHILLIPS PAN HEAD SHEET METAL SCREW, 1/4" ALLIGATOR ANCHOR	HWK-CC

IPC® Door + Wall Protection

inpro.com • 800.222.5556 • 262.679.9010

World Headquarters S80 W18766 Apollo Drive, Muskego, WI 53150 USA

Installation Hotline: 866.394.6776

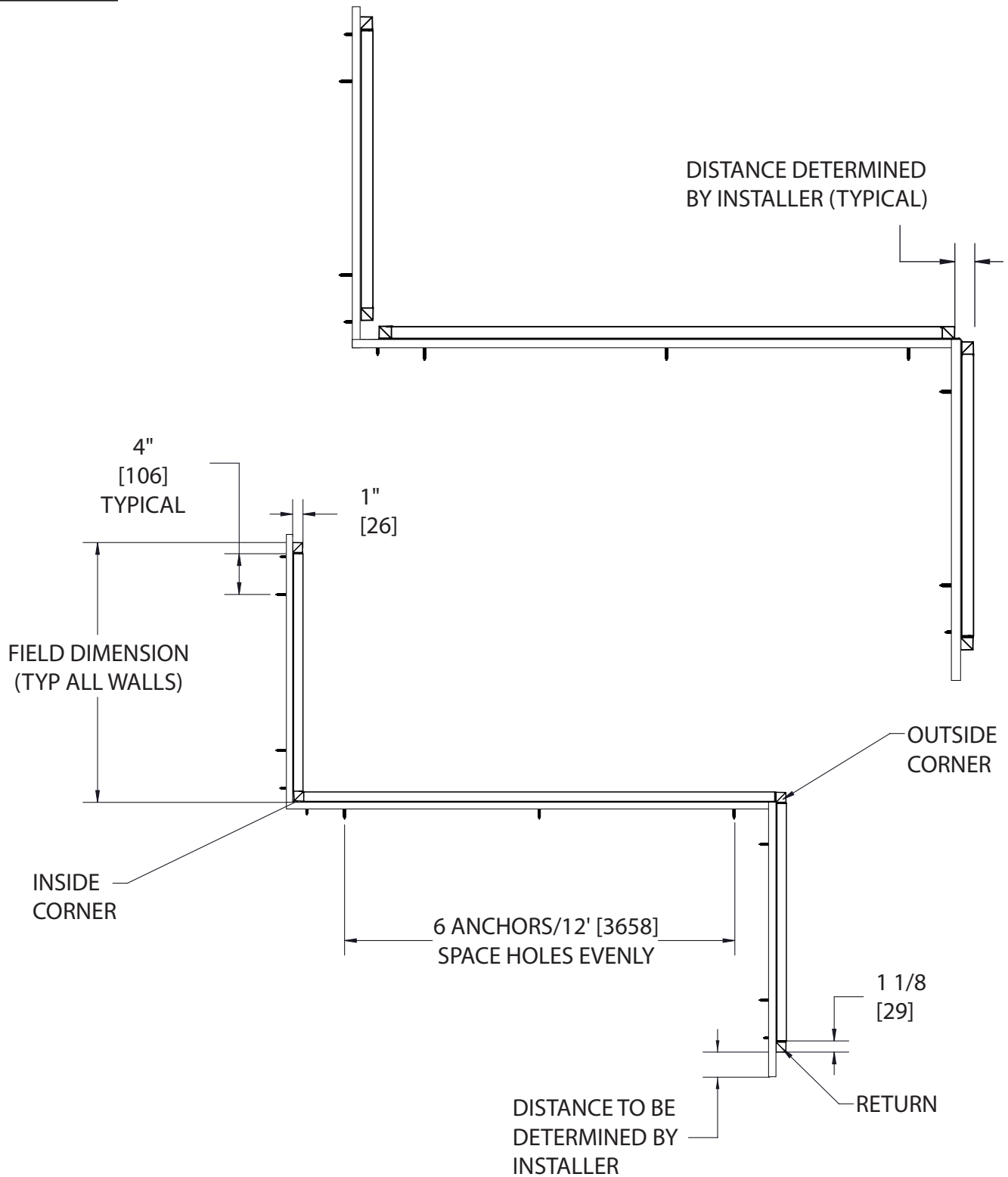
**inpro**®

# Installation Instructions

## 2500/2500W/G2-2500 Chair Rail

Please read all instructions before installing wallguard.

### LAYOUT VIEWS



IPC® Door + Wall Protection

inpro.com • 800.222.5556 • 262.679.9010

World Headquarters S80 W18766 Apollo Drive, Muskego, WI 53150 USA

Installation Hotline: 866.394.6776

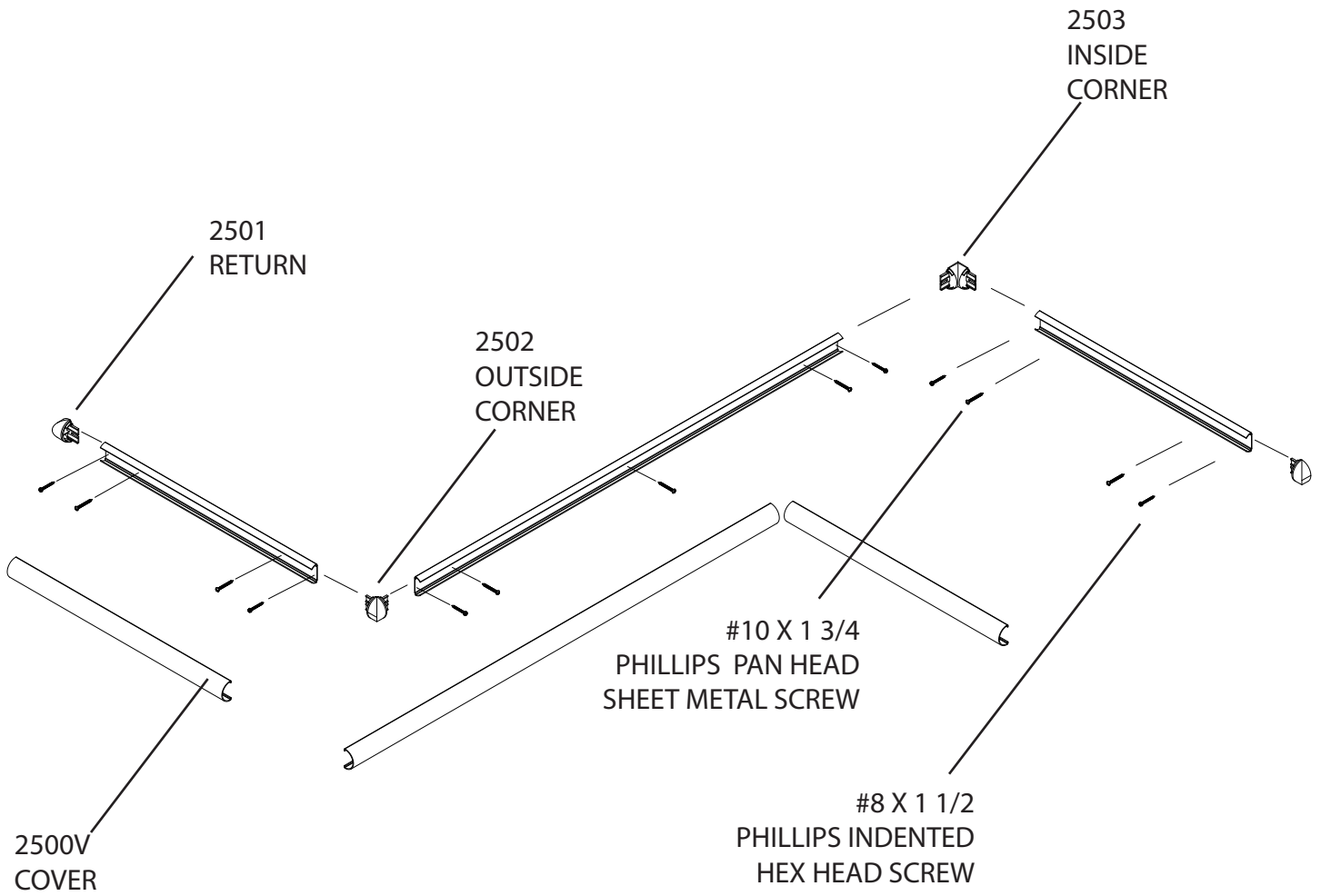
**inpro**®

# Installation Instructions

## 2500/2500W/G2-2500 Chair Rail

Please read all instructions before installing wallguard.

### EXPLODED VIEW



IPC® Door + Wall Protection

[inpro.com](http://inpro.com) • 800.222.5556 • 262.679.9010

World Headquarters S80 W18766 Apollo Drive, Muskego, WI 53150 USA

Installation Hotline: 866.394.6776

**inpro**®

# Installation Instructions

## 2500/2500W/G2-2500 Chair Rail

Please read all instructions before installing wallguard.

FIG. 1

1. Cut aluminum retainer to desired length, leaving allowance for end caps, inside corners, outside corners and picture frame corners. See Figure 1.

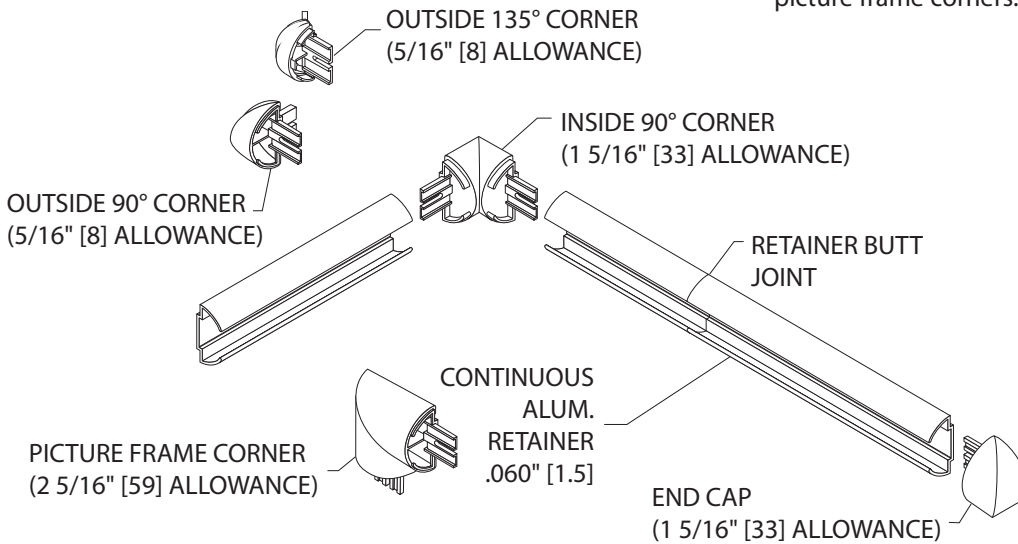
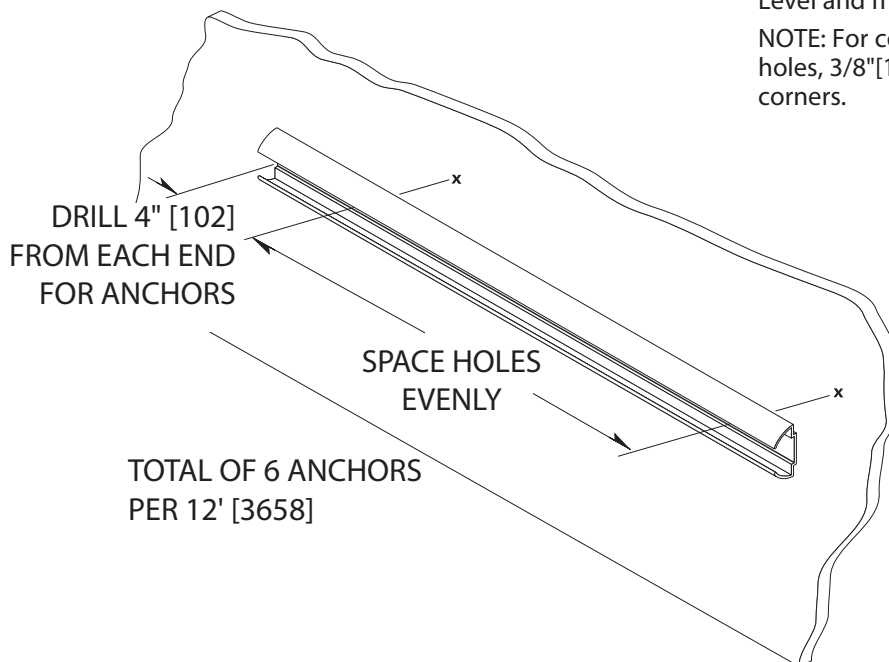


FIG. 2

2. Drill holes in centerline of retainer using 1/4" drill bit. Position retainer on wall allowing for end caps/corners. Level and mark holes. See Figure 2.

NOTE: For concrete or brick wall installation, drill 1/4" holes, 3/8" [10mm] from each end of retainer for end caps/corners.



IPC® Door + Wall Protection

inpro.com • 800.222.5556 • 262.679.9010

World Headquarters S80 W18766 Apollo Drive, Muskego, WI 53150 USA

Installation Hotline: 866.394.6776

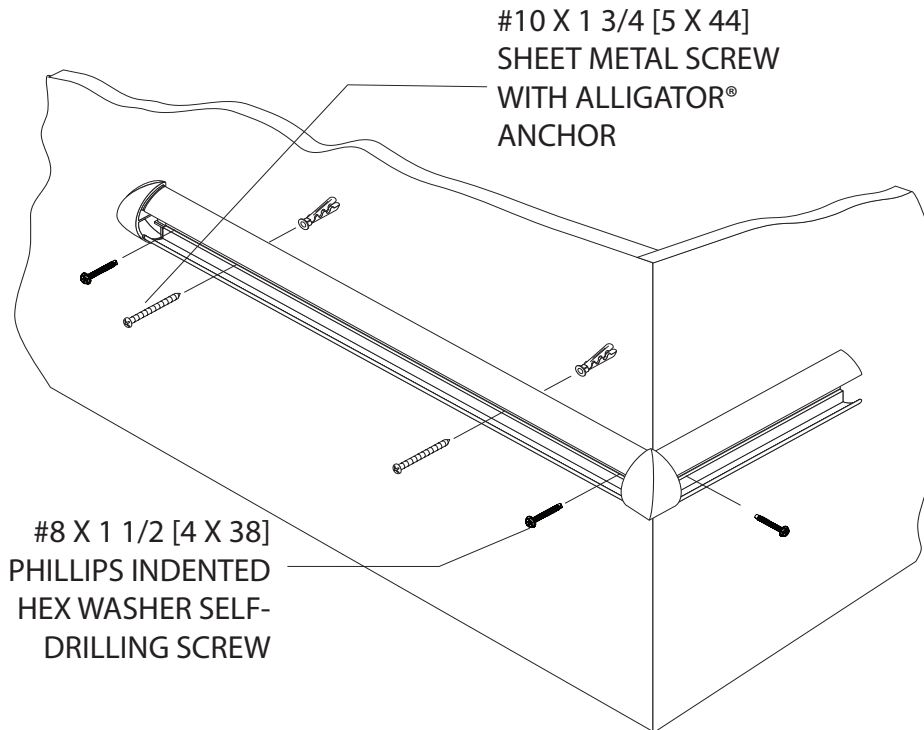
**inpro**®

# Installation Instructions

## 2500/2500W/G2-2500 Chair Rail

Please read all instructions before installing wallguard.

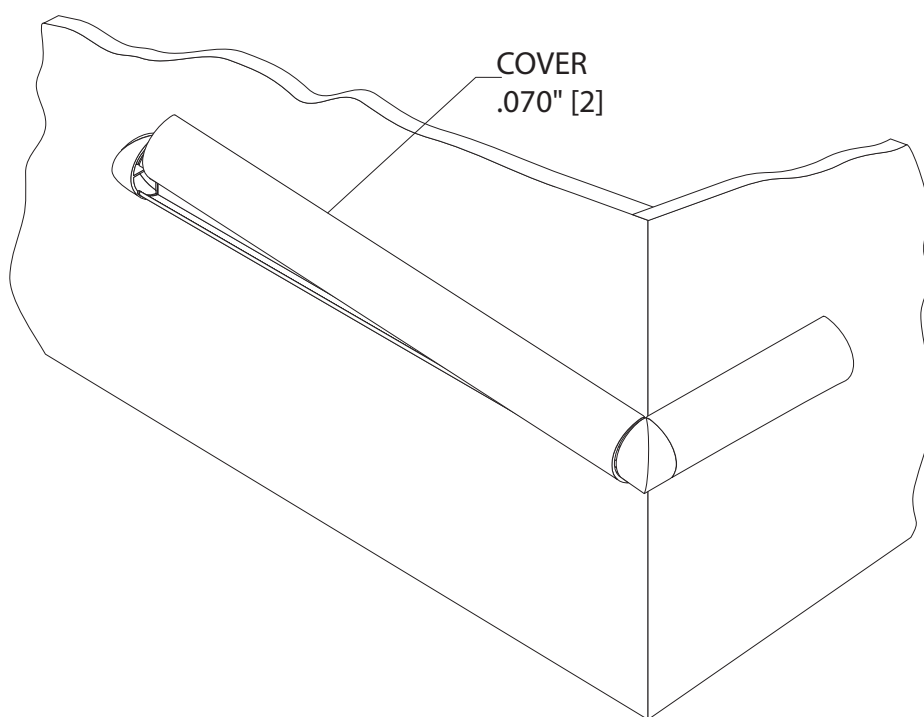
FIG. 3



3. Drill marked holes on wall using a 1/4" drill bit and position Alligator anchors into holes. Mount retainer on wall and tighten screws to secure. Slide end caps and corners onto the retainer and secure, leaving a 1/16" [1.5mm] gap between returns/corners and retainer to allow for adjustment. See Figure 3.

NOTE: For concrete or brick wall installation, use #10 x 1 3/4" Phillips pan head screws to secure end caps and corners.

FIG. 4



4. Cut the cover to length between end caps and/or corners. (Note: Trim factory edges square before installation). Position cover on retainer and adjust end caps and/or corners for a tight fit. Starting at one end, push cover onto retainer until it snaps into place. See Figure 4.

IPC® Door + Wall Protection

inpro.com • 800.222.5556 • 262.679.9010

World Headquarters S80 W18766 Apollo Drive, Muskego, WI 53150 USA

Installation Hotline: 866.394.6776

inpro®