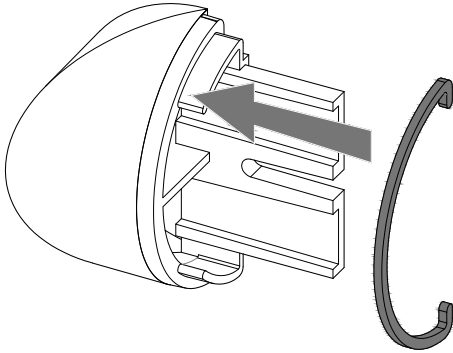


# Installation Instructions

## 2500CR Reveal

---

FIG. 1



Please read all instructions before installing chair rail.

Material must be stored, installed and used in environmentally controlled conditions.

1. Slip reveal over locator surface on End Caps, Inside and Outside Corners. **See Fig. 1 & 2.**

FIG. 2

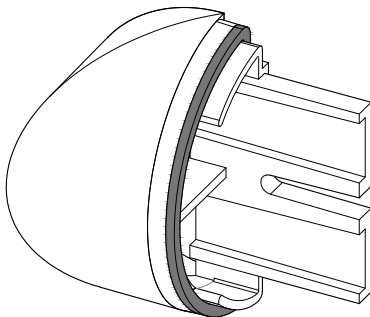
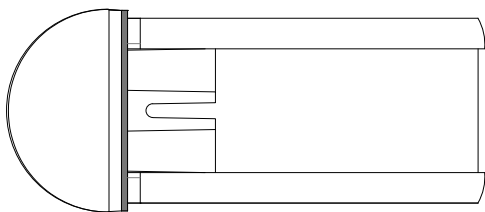


FIG. 3



2. Attach End Caps and Corners to retainer, leaving 1/16" gap between Return/Corner and retainer allowing for adjustment. **See Fig. 3.**

Note: Cut cover to length between the reveal pieces on the returns and/or corners.

---

IPC.1511/REV.1