

CONT. ALUM. FRAME (J3A150)
 CONT. ALUM. COVER (J3G150)
 CONT. ALUM. CENTER
 PLATE (J3C151)

#8x2 [M4x50] SELF TAPPING
 SHEET METAL SCREW (7 PER
 FRAME @ 18" [457mm] O.C.)
 (JK061)

5/8" DRYWALL (BY OTHERS)
 TINNEMAN U-CLIPS
 (7 PER FRAME) (JK090)
 CONT. VINYL GASKET
 (J3D505)

300-A07-025

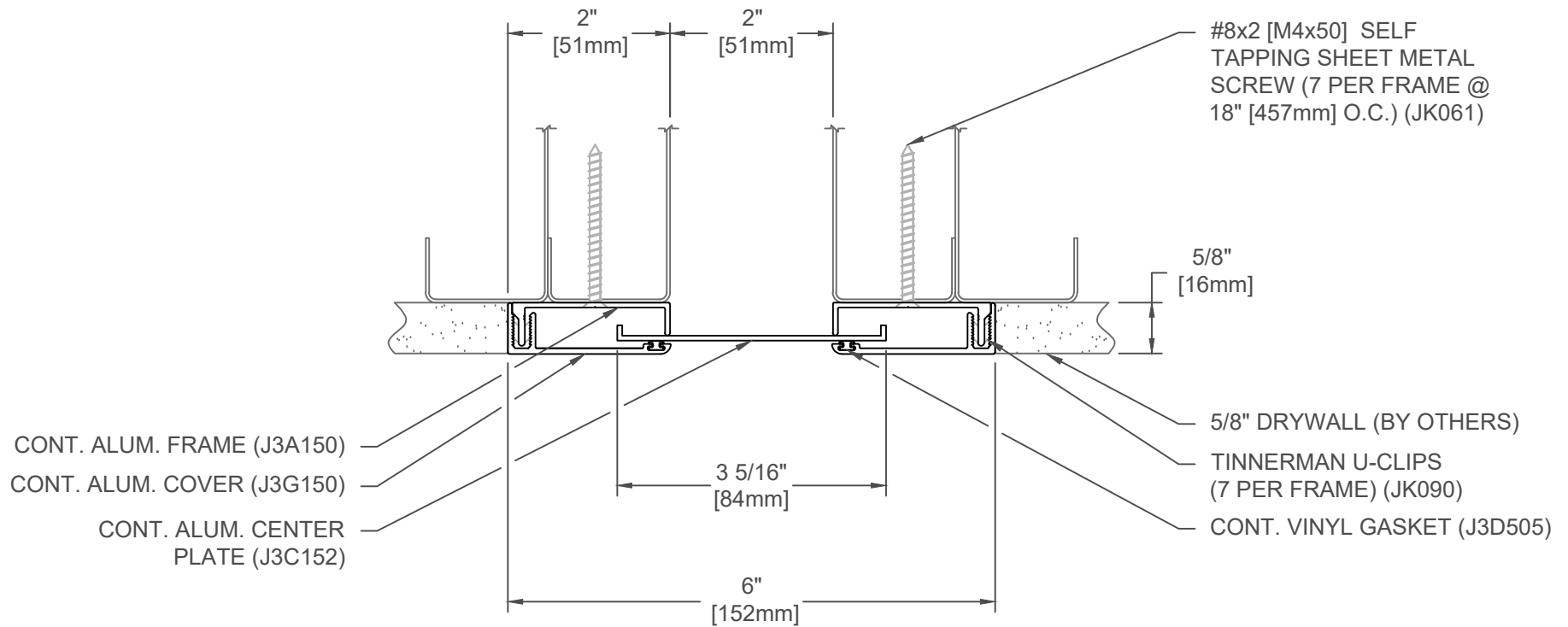
JOINT WIDTH		MOVEMENT ±			
		HORIZONTAL		VERTICAL	
US	mm	US	mm	US	mm
1"	25	1/2"	13	1/4"	6

FINISH: CLEAR ANODIZED
PROJECT:
CUSTOMER:
LOCATION:

APPLICATION-
 GLIDE PLATE
 WALL/WALL, CEILING/CEILING CONDITION

DATE:	4-11-05
SCALE:	1:2
DOC:	CADJM.017/R3





300-A07-050

JOINT WIDTH		MOVEMENT ±			
		HORIZONTAL		VERTICAL	
US	mm	US	mm	US	mm
2"	51	1"	25	1/2"	13

FINISH: CLEAR ANODIZED

PROJECT:

CUSTOMER:

LOCATION:

APPLICATION-
GLIDE PLATE
WALL/WALL, CEILING/CEILING CONDITION

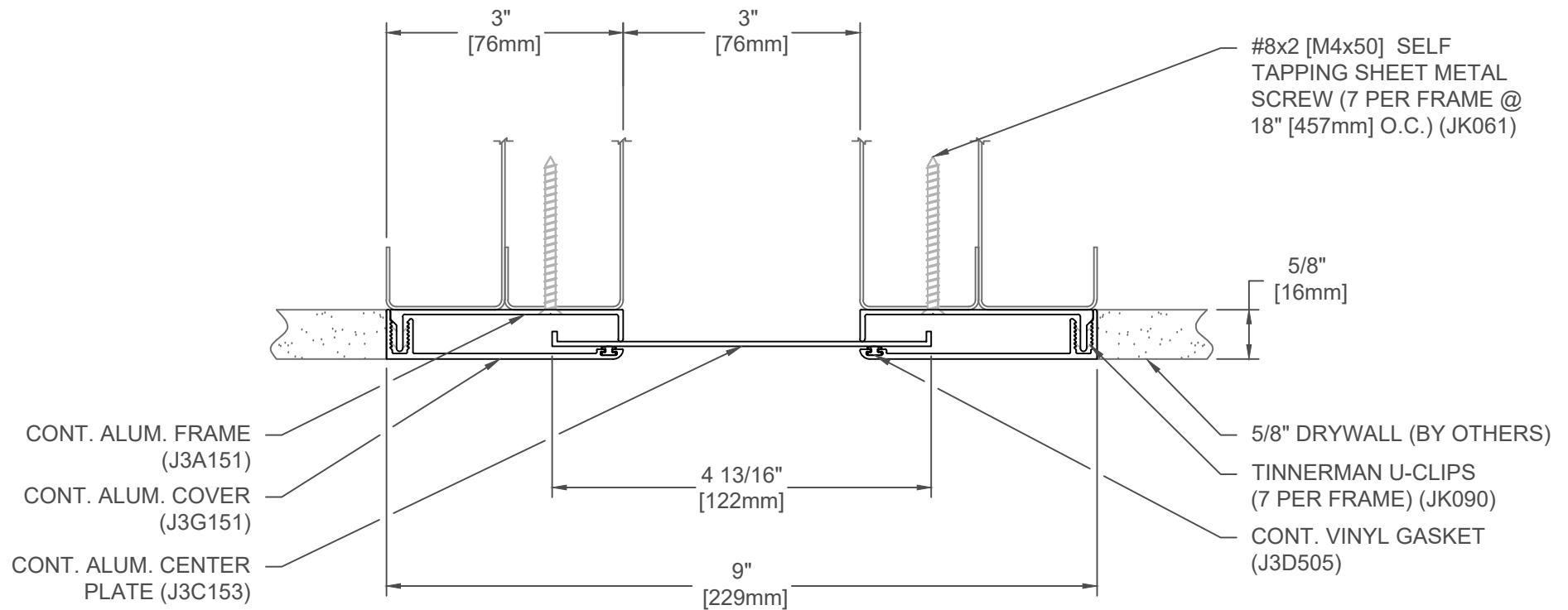
DATE: 4-11-05

SCALE: 1:2

DOC: CADJM.017/R3

inpro.

For More Information Visit: Inprocorp.com



300-A07-075

JOINT WIDTH		MOVEMENT ±			
		HORIZONTAL		VERTICAL	
US	mm	US	mm	US	mm
3"	76	1-1/2"	38	3/4"	19

FINISH: CLEAR ANODIZED

PROJECT:

CUSTOMER:

LOCATION:

APPLICATION-
GLIDE PLATE
WALL/WALL, CEILING/CEILING CONDITION

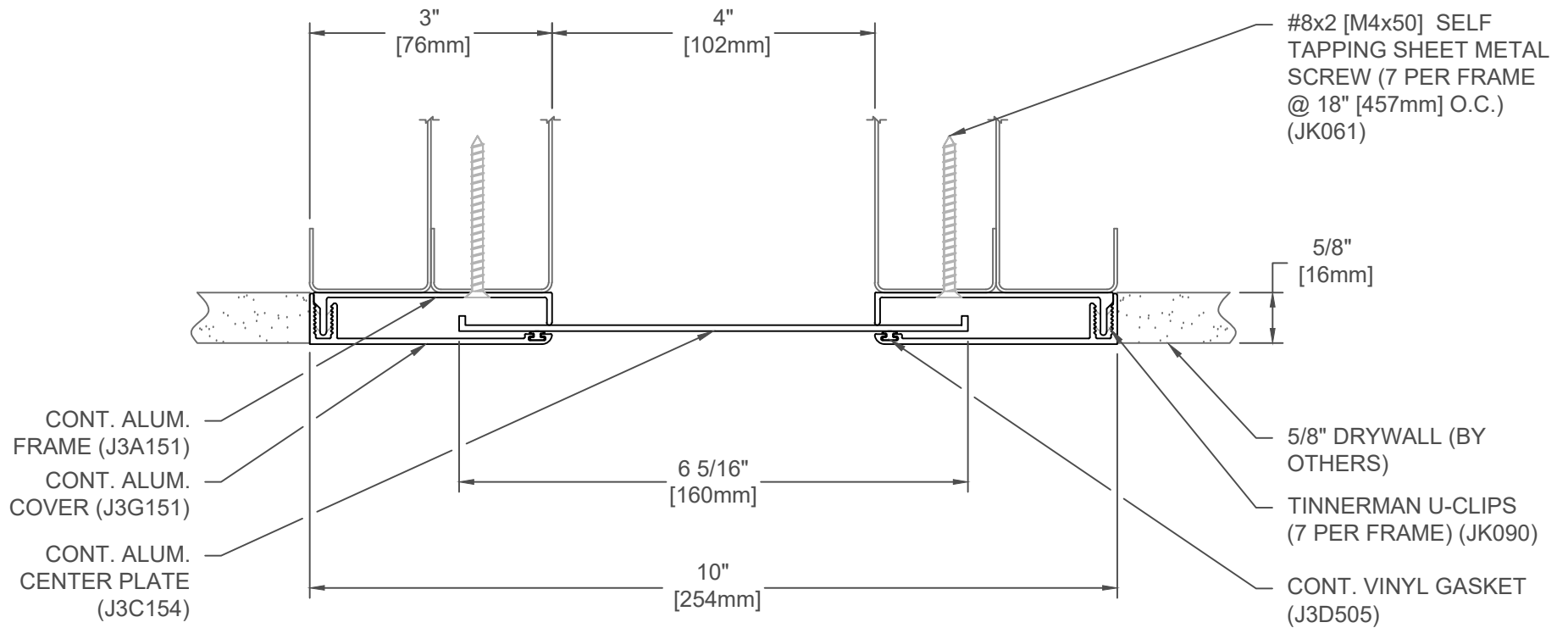
DATE: 4-11-05

SCALE: 1:2

DOC: CADJM.017/R3

inpro.

For More Information Visit: Inprocorp.com



300-A07-100

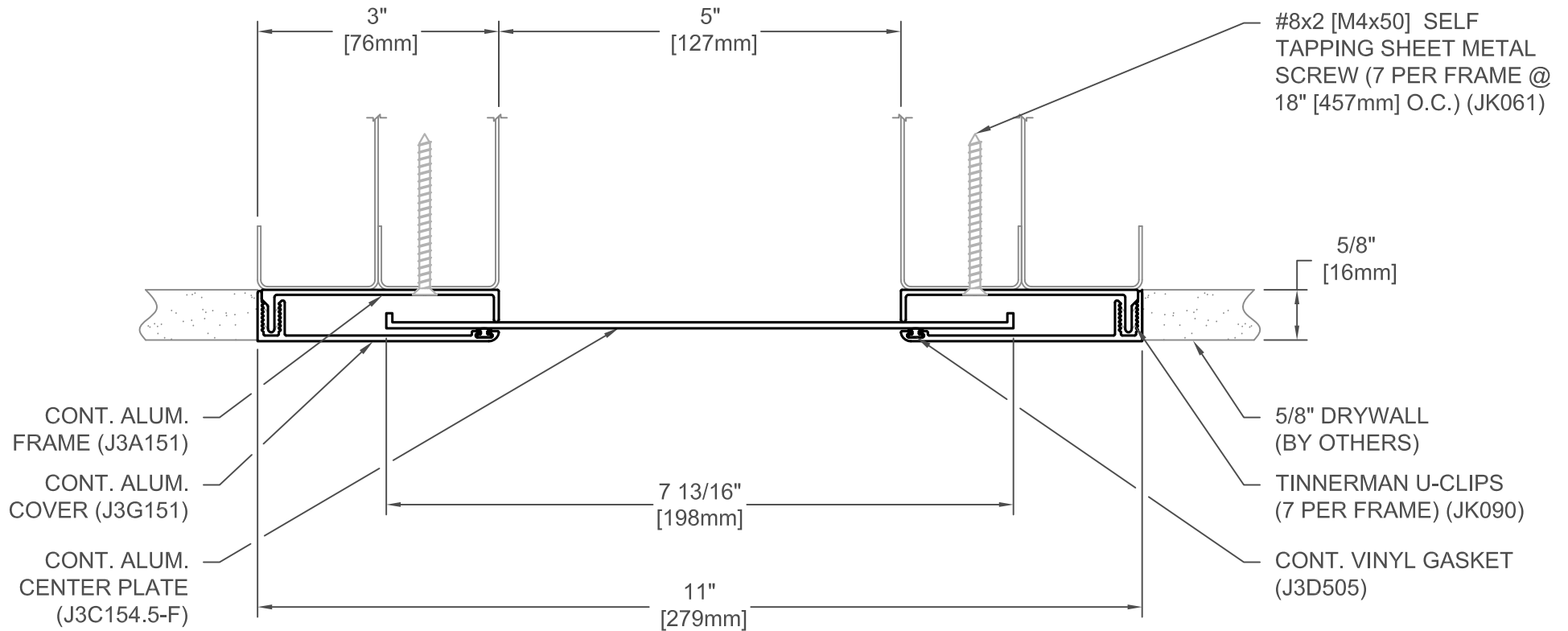
JOINT WIDTH		MOVEMENT ±			
		HORIZONTAL		VERTICAL	
US	mm	US	mm	US	mm
4"	102	2"	51	1"	25

FINISH: CLEAR ANODIZED
PROJECT:
CUSTOMER:
LOCATION:

APPLICATION-
GLIDE PLATE
WALL/WALL, CEILING/CEILING CONDITION

DATE:	4-11-05
SCALE:	1:2
DOC:	CADJM.017/R3





300-A07-125

JOINT WIDTH		MOVEMENT ±			
		HORIZONTAL		VERTICAL	
US	mm	US	mm	US	mm
5"	127	2 1/2"	64	1 1/4"	32

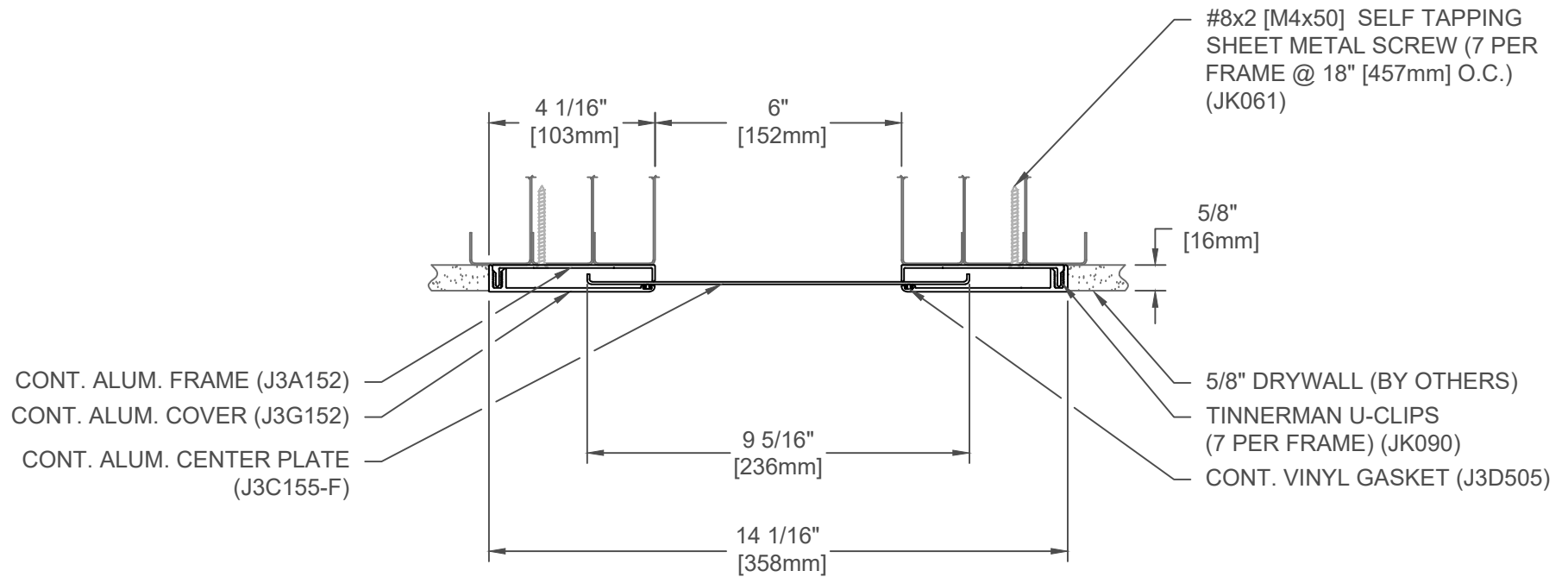
FINISH: CLEAR ANODIZED
PROJECT:
CUSTOMER:
LOCATION:

APPLICATION-
GLIDE PLATE
WALL/WALL, CEILING/CEILING CONDITION

DATE:	4-3-18
SCALE:	1:2
DOC:	CADJM.017/R3



For More Information Visit: Inprocorp.com



300-A07-150

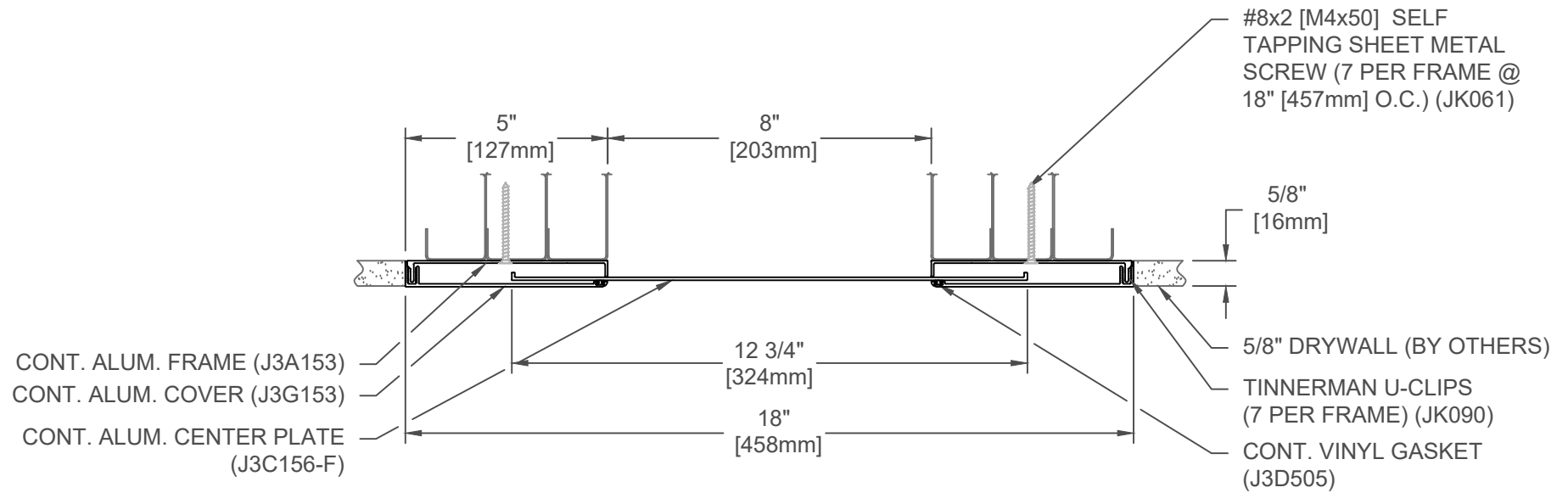
JOINT WIDTH		MOVEMENT ±			
		HORIZONTAL		VERTICAL	
US	mm	US	mm	US	mm
6"	152	3"	76	1-1/2"	38

FINISH: CLEAR ANODIZED
PROJECT:
CUSTOMER:
LOCATION:

APPLICATION-
GLIDE PLATE
WALL/WALL, CEILING/CEILING CONDITION

DATE:	4-11-05
SCALE:	1:4
DOC:	CADJM.017/R3

inpro.
For More Information Visit: Inprocorp.com



300-A07-200

JOINT WIDTH		MOVEMENT ±			
		HORIZONTAL		VERTICAL	
US	mm	US	mm	US	mm
8"	203	4"	102	2"	51

FINISH: CLEAR ANODIZED

PROJECT:

CUSTOMER:

LOCATION:

APPLICATION-
GLIDE PLATE
WALL/WALL, CEILING/CEILING CONDITION

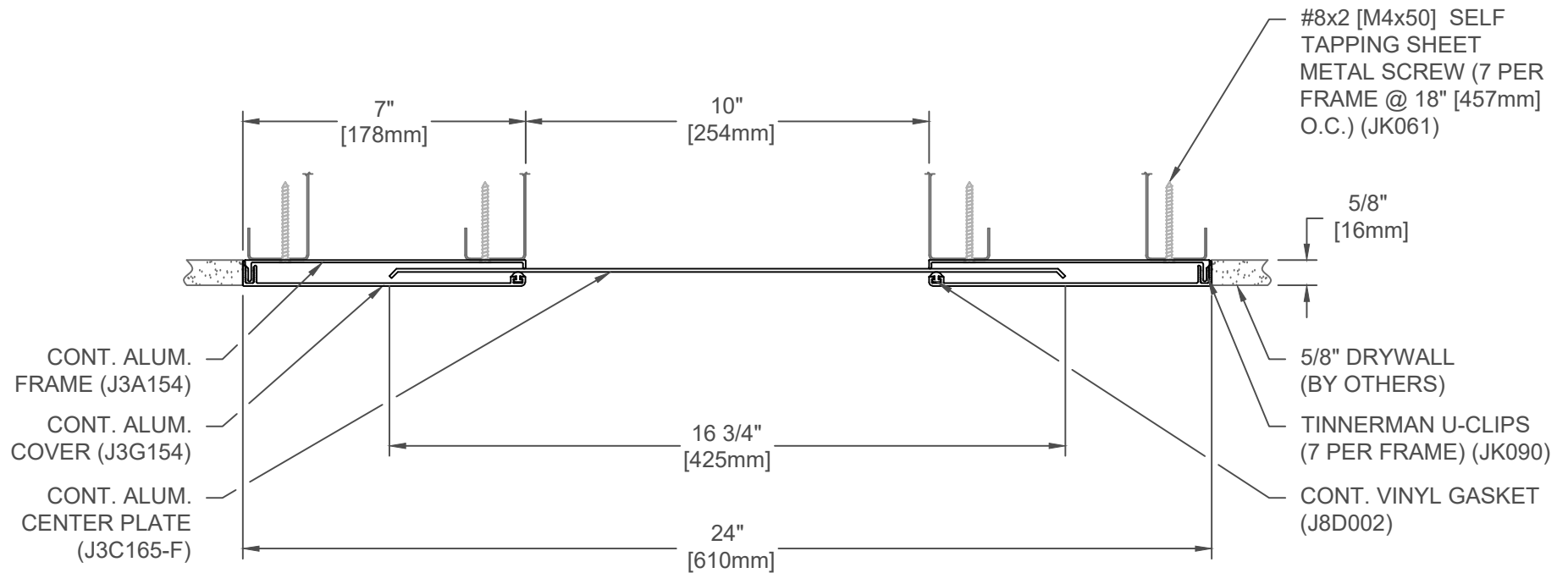
DATE: 4-11-05

SCALE: 1:4

DOC: CADJM.017/R3

inpro.

For More Information Visit: Inprocorp.com



300-A07-250

JOINT WIDTH		MOVEMENT ±			
		HORIZONTAL		VERTICAL	
US	mm	US	mm	US	mm
10"	254	5"	127	2 1/2"	64

FINISH: CLEAR ANODIZED

PROJECT:

CUSTOMER:

LOCATION:

APPLICATION-
GLIDE PLATE
WALL/WALL, CEILING/CEILING CONDITION

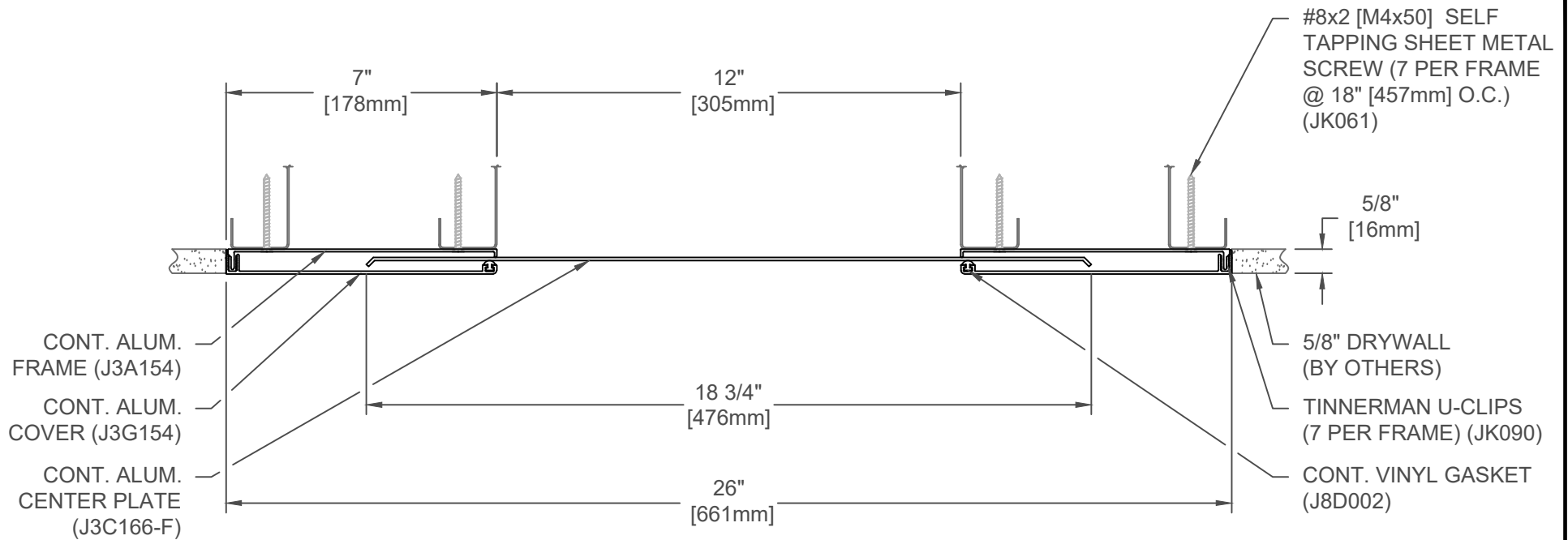
DATE: 7-22-15

SCALE: 1:4

DOC: CADJM.017/R3

inpro.

For More Information Visit: Inprocorp.com



300-A07-300

JOINT WIDTH		MOVEMENT ±			
		HORIZONTAL		VERTICAL	
US	mm	US	mm	US	mm
12"	305	6"	152	3"	76

FINISH: CLEAR ANODIZED

PROJECT:

CUSTOMER:

LOCATION:

APPLICATION-
GLIDE PLATE
WALL/WALL, CEILING/CEILING CONDITION

DATE: 7-22-15

SCALE: 1:4

DOC: CADJM.017/R3

inpro.

For More Information Visit: Inprocorp.com