

430 Series

A01 - Floor to Floor
A02 - Floor to Wall



Movement Rating ± 50% (100%)

Product Guide



Interior



Seismic



Fire Rated
Option



Vapor Barrier
Option



ADA
Compliant

- ▶ Tapered center plate provides a smooth transition that is ADA compliant. Regardless of the changing joint width.
- ▶ Features canceled hardware for aesthetics and security reasons.
- ▶ Seismic-capable system accommodates horizontal, vertical and shear seismic movement.
- ▶ For use with a wide range of floor finishes including carpet, tile, terrazzo, polished concrete, etc.
- ▶ Centering bar keeps plate positioned over joint during dimensional movement.
- ▶ Minimized gaps ensure against trapped dirt & debris

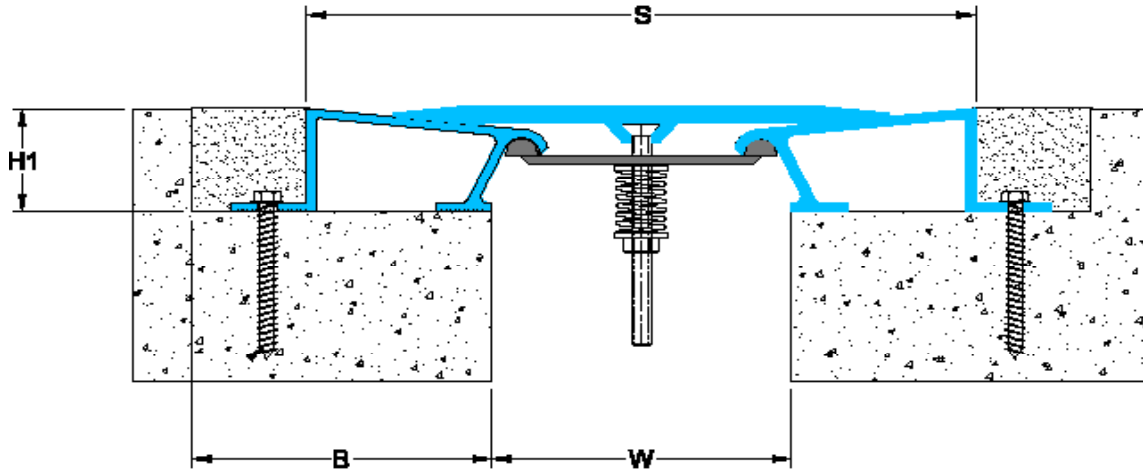
Application	System	W		H1		S		B		Movement +/-			
		Joint Width		Frame Height 1		Sightline		Blockout		Horizontal		Vertical	
		US	mm	US	mm	US	mm	US	mm	US	mm	US	mm
Floor to Floor	430-A01-025	1"	25	1 1/2"	38	5 1/4"	133	3 1/4"	83	1/2"	13	1/4"	6
	430-A01-050	2"	51	1 1/2"	38	5 1/2"	140	3 1/4"	83	1"	25	1/2"	13
	430-A01-075	3"	76	1 1/2"	38	8 1/2"	216	4"	102	1 1/2"	38	3/4"	19
	430-A01-100	4"	102	1 1/2"	38	8 7/8"	225	4"	102	2"	51	1"	25
	430-A01-150	6"	152	1 1/2"	38	12 1/2"	318	5"	127	3"	76	1 1/2"	38
	430-A01-200	8"	203	1 1/2"	38	19 3/8"	492	7"	178	4"	102	2"	51
Floor to Wall	430-A02-025	1"	25	1 1/2"	38	3"	76	3 1/4"	83	1/2"	13	1/4"	6
	430-A02-050	2"	51	1 1/2"	38	3 3/4"	95	3 1/4"	83	1"	25	1/2"	13
	430-A02-075	3"	76	1 1/2"	38	5 3/4"	146	4"	102	1 1/2"	38	3/4"	19
	430-A02-100	4"	102	1 1/2"	38	6 1/2"	168	4"	102	2"	51	1"	25
	430-A02-150	6"	152	1 1/2"	38	9"	229	5"	127	3"	76	1 1/2"	38
	430-A02-200	8"	203	1 1/2"	38	13 1/2"	343	7"	178	4"	102	2"	51

IPC.842/REV.18

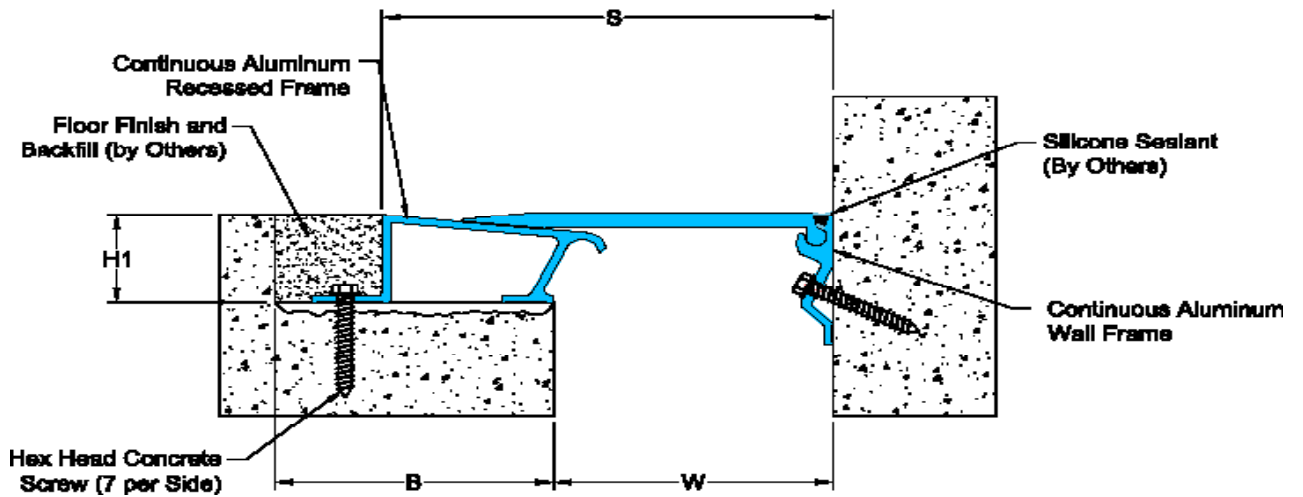
430 Series

Center Bar Seismic Floor Systems

430-A01 Floor/Floor - Hidden Fastener Model
(4" (150mm) system shown)



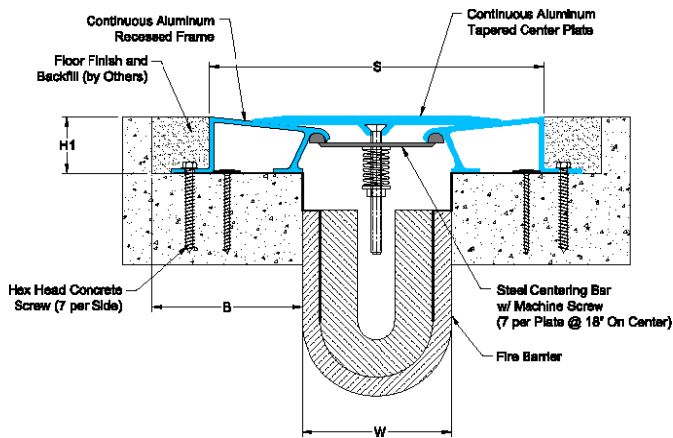
Hidden Fastener Model
430-A02 Floor/Wall
(4" (150mm) system shown)



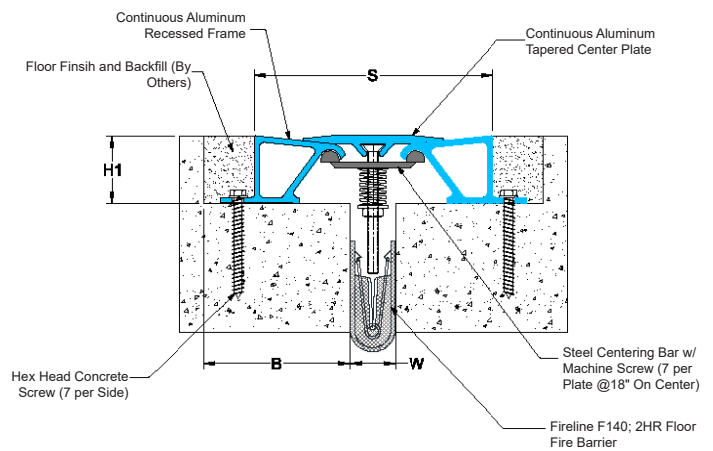
430 Series

Options

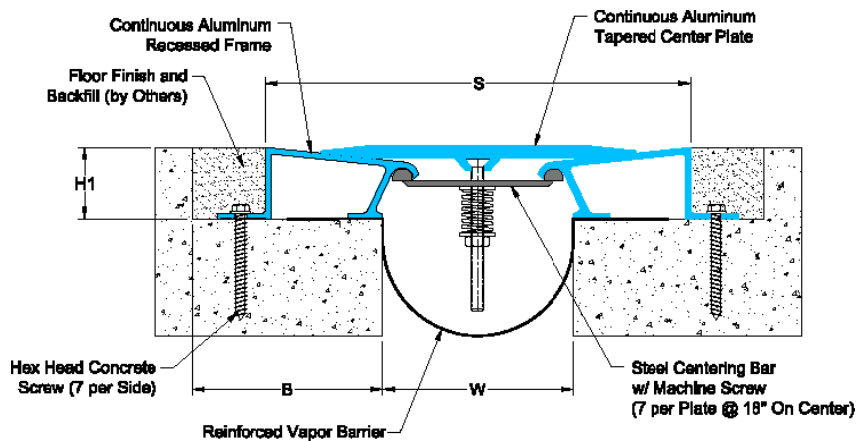
Fire Blanket System
(430-A01-100 system shown)



FireLine F140 Fire Barrier System
(430-A01-25 system shown)



Vapor Barrier System
(430-A01-100 system shown)



Reduced Sightline Option
(430-A01-100 system shown)

