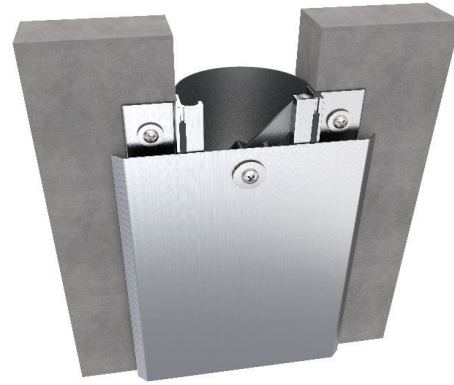


# 491E Series

A07 - Wall to Wall or Ceiling to Ceiling

A09 - Wall to Corner or Wall to Ceiling



**Movement Rating ± 50%**

## Product Guide



Thermal



Seismic



Exterior



Fire Rated Option



Vapor Barrier Option

- ▶ System offers a low profile aluminum center plate system that sits only 5/8" [16mm] off wall surface
- ▶ Surface mounted system is adaptable to many exterior wall assemblies
- ▶ Reinforced moisture barrier, stainless steel hardware and neoprene weather washers ensure against environmental intrusion
- ▶ Clear anodized finish standard, cover plate can be primed, painted or custom color anodized to match adjacent wall finish
- ▶ System designed for renovation and surface mount installations
- ▶ Centering bar system constantly re-centers cover plate & allows for multi-directional seismic movement
- ▶ ± 100% movement available on selected models
- ▶ Extra wide joint solutions available

Application	System	W		H		H1		S		Movement +/-			
		Joint Width		Frame Height 1		Height 2		Sightline		Horizontal		Vertical	
		US	mm	US	mm	US	mm	US	mm	US	mm	US	mm
Wall/Wall Ceiling/Ceiling	491E-A07-050	2"	51	5/8"	15	-	-	5 3/4"	146	9/16"	14	1"	25
	491E-A07-075	3"	76	5/8"	15	-	-	6 3/4"	171	1 1/2"	38	1 1/2"	38
	491E-A07-100	4"	102	5/8"	15	-	-	7 3/4"	197	2"	51	2"	51
	491E-A07-150	6"	152	5/8"	15	-	-	9 3/4"	248	2 1/2"	64	3"	76
	491E-A07-200	8"	203	5/8"	15	-	-	13"	330	4"	102	4"	102
	491E-A07-250	10"	254	5/8"	15	-	-	16"	406	5"	127	5"	127
Wall/Corner Wall/Ceiling	491E-A07-300	12"	305	5/8"	15	-	-	19 1/16"	484	6"	152	6"	152
	491E-A09-050	2"	51	5/8"	15	1 15/16"	49	3 7/8"	98	1/2"	13	1/2"	13
	491E-A09-075	3"	76	5/8"	15	1 15/16"	49	4 7/8"	124	3/4"	19	3/4"	19
	491E-A09-100	4"	102	5/8"	15	1 15/16"	49	5 7/8"	149	1"	25	1"	25
	491E-A09-150	6"	152	5/8"	15	-	-	7 7/8"	200	1 1/2"	38	1 1/2"	38
	491E-A09-200	8"	203	5/8"	15	-	-	10 1/2"	267	2"	51	2"	51
	491E-A09-250	10"	254	5/8"	15	-	-	13"	330	2 1/2"	64	2 1/2"	64
491E-A09-300	12"	305	5/8"	15	-	-	15 1/2"	394	3"	76	3"	76	

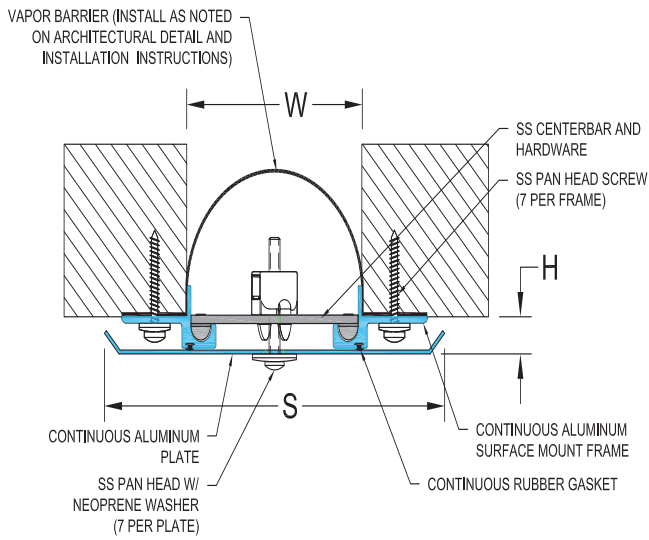
Available in larger widths, please contact InPro Corporation for more details.

IPC.3286/REV.1

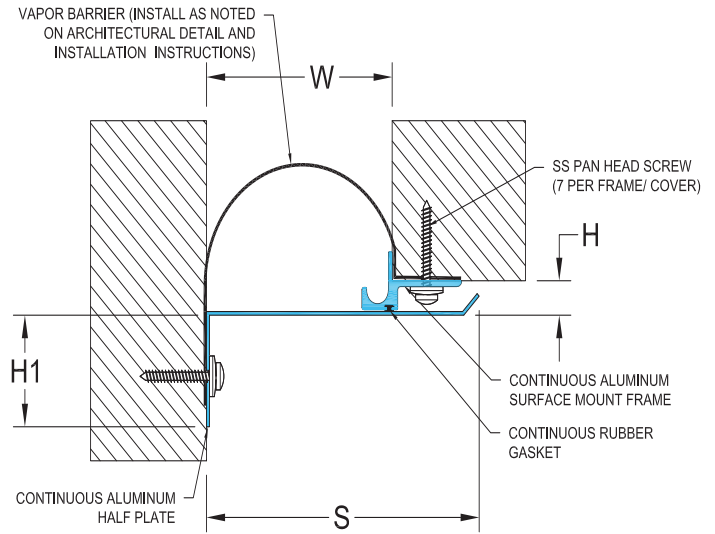
# 491E Series

## Wall and Ceiling Systems

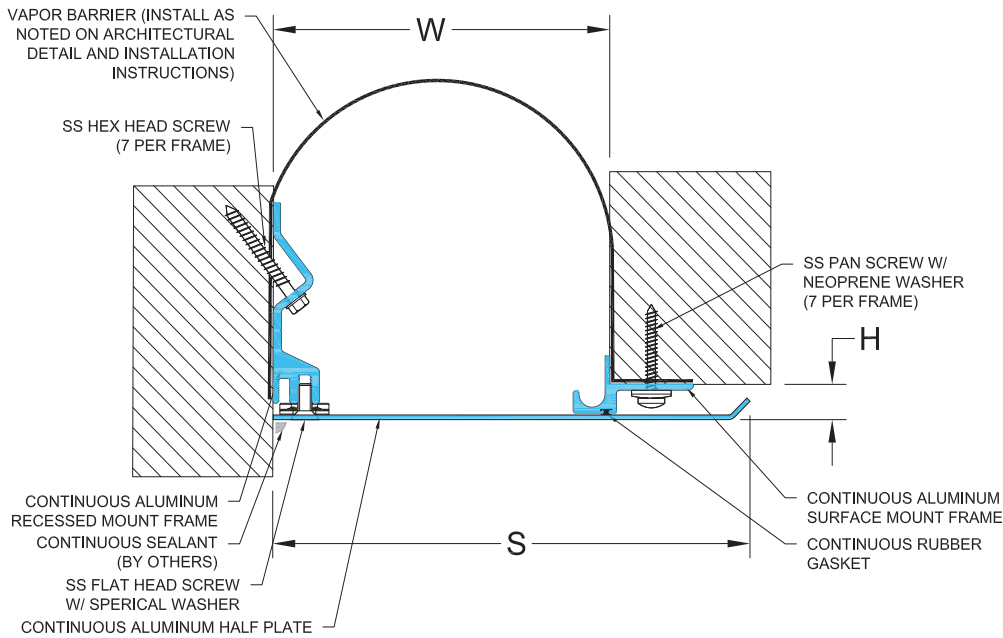
491E-A07 Wall/Wall, Ceiling/Ceiling  
(4" (100mm) system shown)



491E-A09-050 thru 100 Wall/Corner, Wall/Ceiling  
(4" (100mm) system shown)



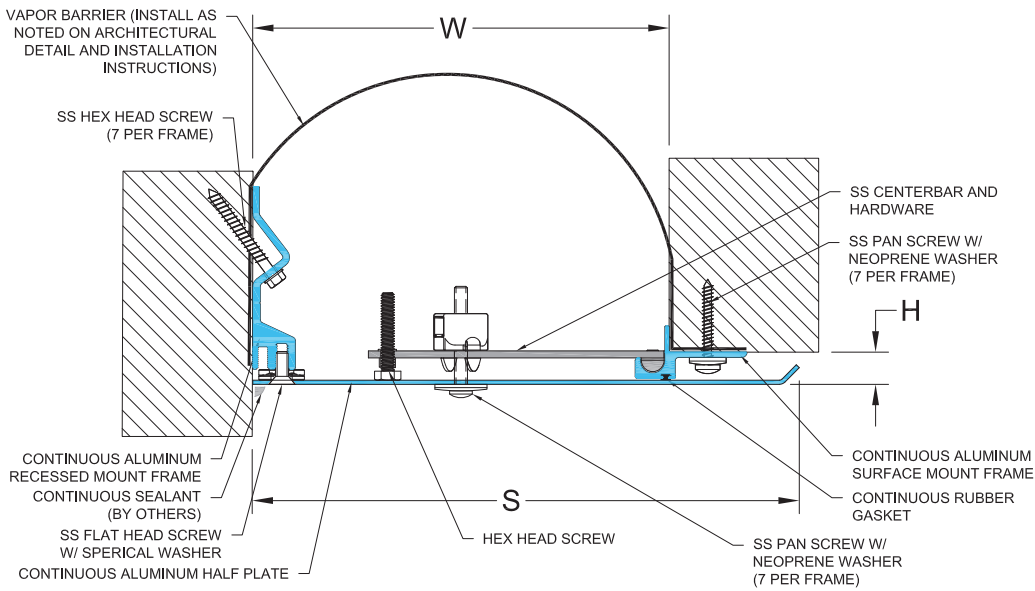
491E-A09-150 Wall/Corner, Wall/Ceiling  
(6" (150mm) system shown)



# 491E Series

## Wall and Ceiling Systems

491E-A09-200 thru 300 Wall/Corner, Wall/Ceiling  
(6" (150mm) system shown)



# 491E Series Option

Fire Blanket System  
(491E-A07-100 system shown)

