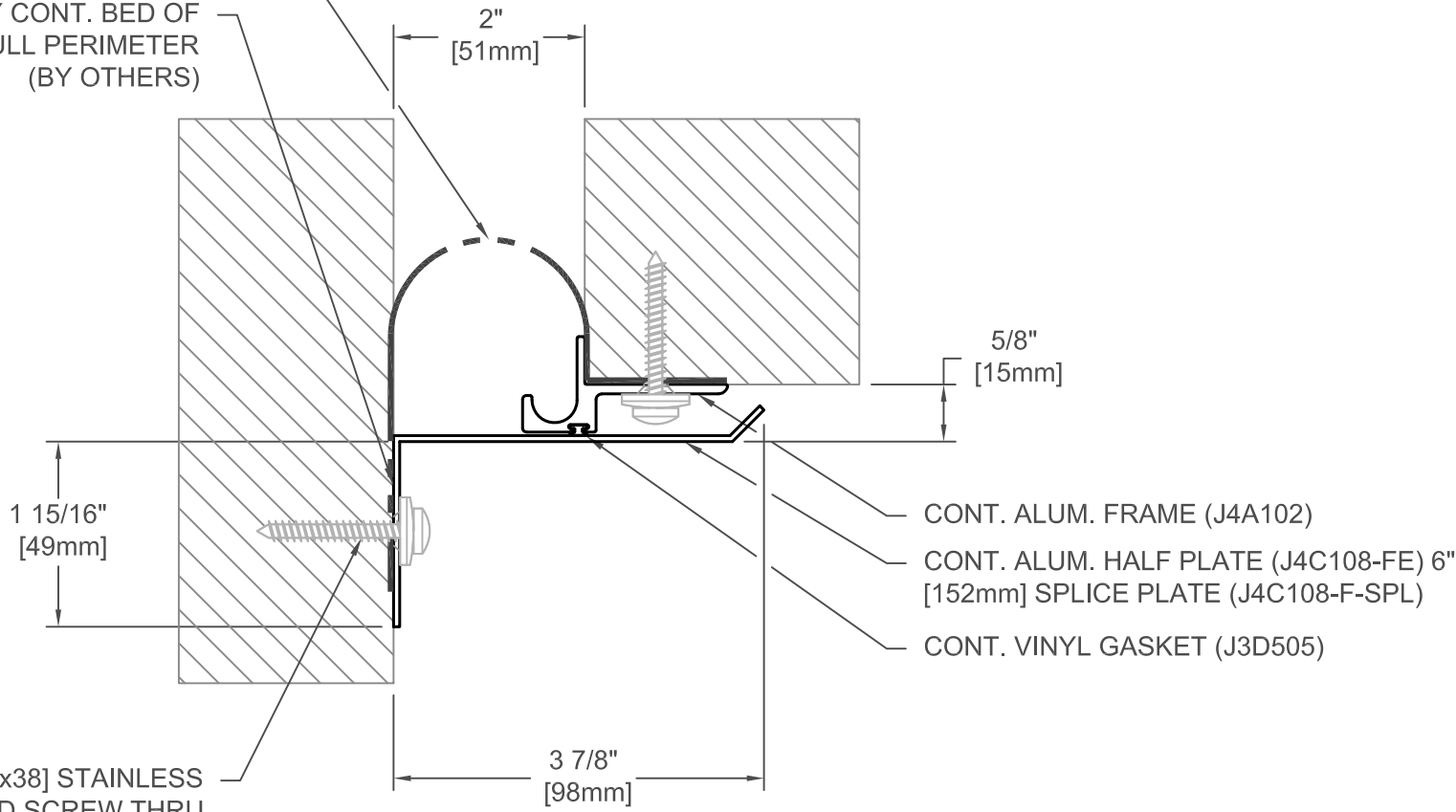


REINF. EPDM VAPOR BARRIER
(JL009-RVB) NOTE: SET IN
CONT. BED OF BUTYL SEALANT
(BY OTHERS)

APPLY CONT. BED OF
SEALANT AT FULL PERIMETER
(BY OTHERS)



#12 x 1 1/2" [M5x38] STAINLESS
PAN HEAD SCREW THRU
NEOPRENE WEATHER WASHER (7
PER FRAME @ 18" [457mm] O.C.)
(JKSS28)

491E-A09-050

JOINT WIDTH		MOVEMENT ±			
		HORIZONTAL		VERTICAL	
US	mm	US	mm	US	mm
2"	51	1/2"	13	1/2"	13

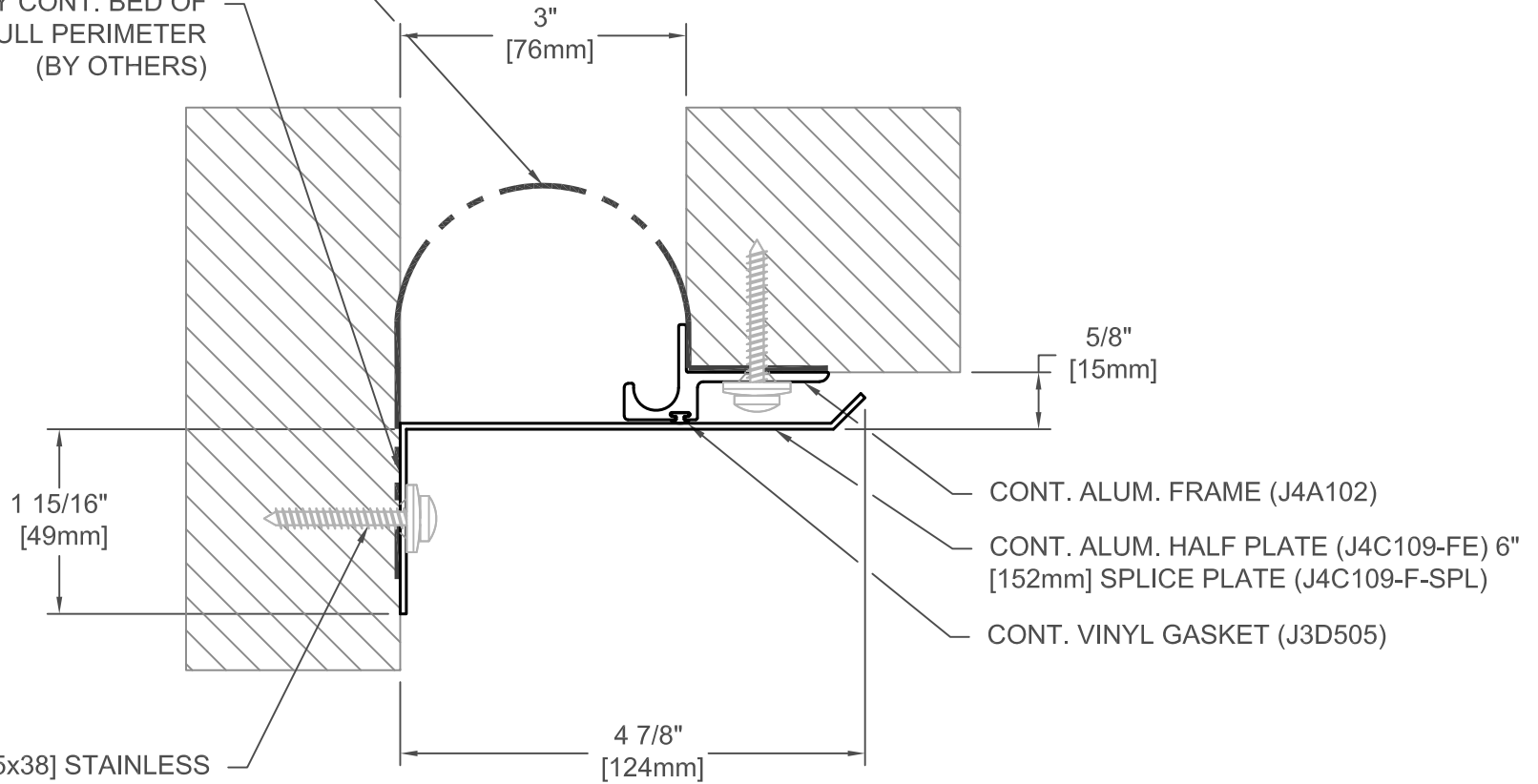
FINISH: CLEAR ANODIZED
PROJECT:
CUSTOMER:
LOCATION:

APPLICATION-
EXTERIOR CENTERING BAR SYSTEM
SURFACE MOUNT FRAME WALL/CORNER, WALL/CEILING CONDITION

DATE:	10-6-21
SCALE:	1:2
DOC:	CADJM.243/R1

REINF. EPDM VAPOR BARRIER
(JL009-RVB) NOTE: SET IN
CONT. BED OF BUTYL SEALANT
(BY OTHERS)

APPLY CONT. BED OF
SEALANT AT FULL PERIMETER
(BY OTHERS)



#12 x 1 1/2" [M5x38] STAINLESS
PAN HEAD SCREW THRU
NEOPRENE WEATHER WASHER (7
PER FRAME @ 18" [457mm] O.C.)
(JKSS28)

491E-A09-075

JOINT WIDTH		MOVEMENT ±			
		HORIZONTAL		VERTICAL	
US	mm	US	mm	US	mm
3"	76	3/4"	19	3/4"	19

FINISH: CLEAR ANODIZED

PROJECT:

CUSTOMER:

LOCATION:

APPLICATION-
EXTERIOR CENTERING BAR SYSTEM
SURFACE MOUNT FRAME WALL/CORNER, WALL/CEILING CONDITION

DATE: 10-6-21

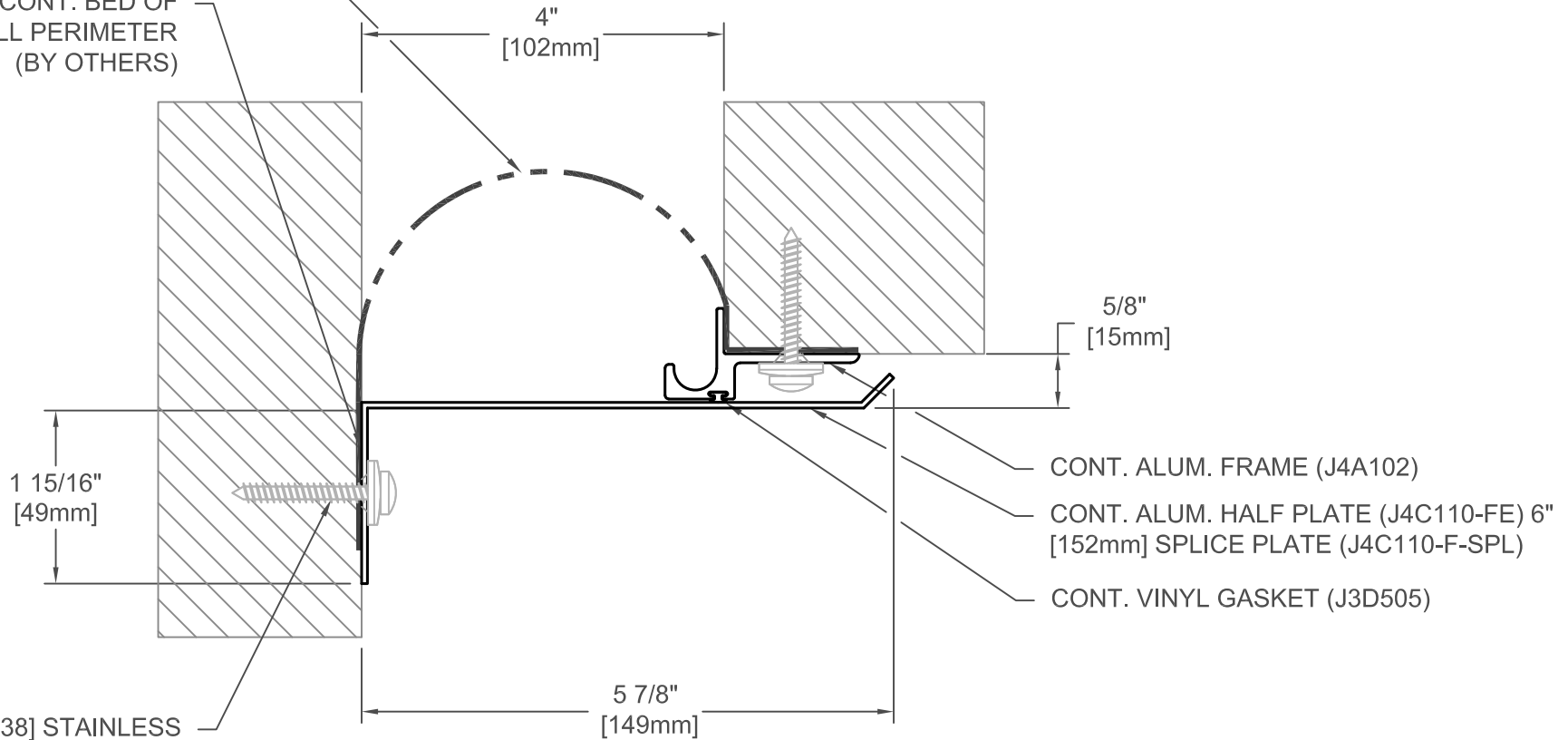
SCALE: 1:2

DOC: CADJM.243/R1

inpro.
For More Information Visit: Inprocorp.com

REINF. EPDM VAPOR BARRIER
(JL009-RVB) NOTE: SET IN
CONT. BED OF BUTYL SEALANT
(BY OTHERS)

APPLY CONT. BED OF
SEALANT AT FULL PERIMETER
(BY OTHERS)



#12 x 1 1/2" [M5x38] STAINLESS
PAN HEAD SCREW THRU
NEOPRENE WEATHER WASHER (7
PER FRAME @ 18" [457mm] O.C.)
(JKSS28)

491E-A09-100

JOINT WIDTH		MOVEMENT ±			
		HORIZONTAL		VERTICAL	
US	mm	US	mm	US	mm
4"	102	1"	25	1"	25

FINISH: CLEAR ANODIZED

PROJECT:

CUSTOMER:

LOCATION:

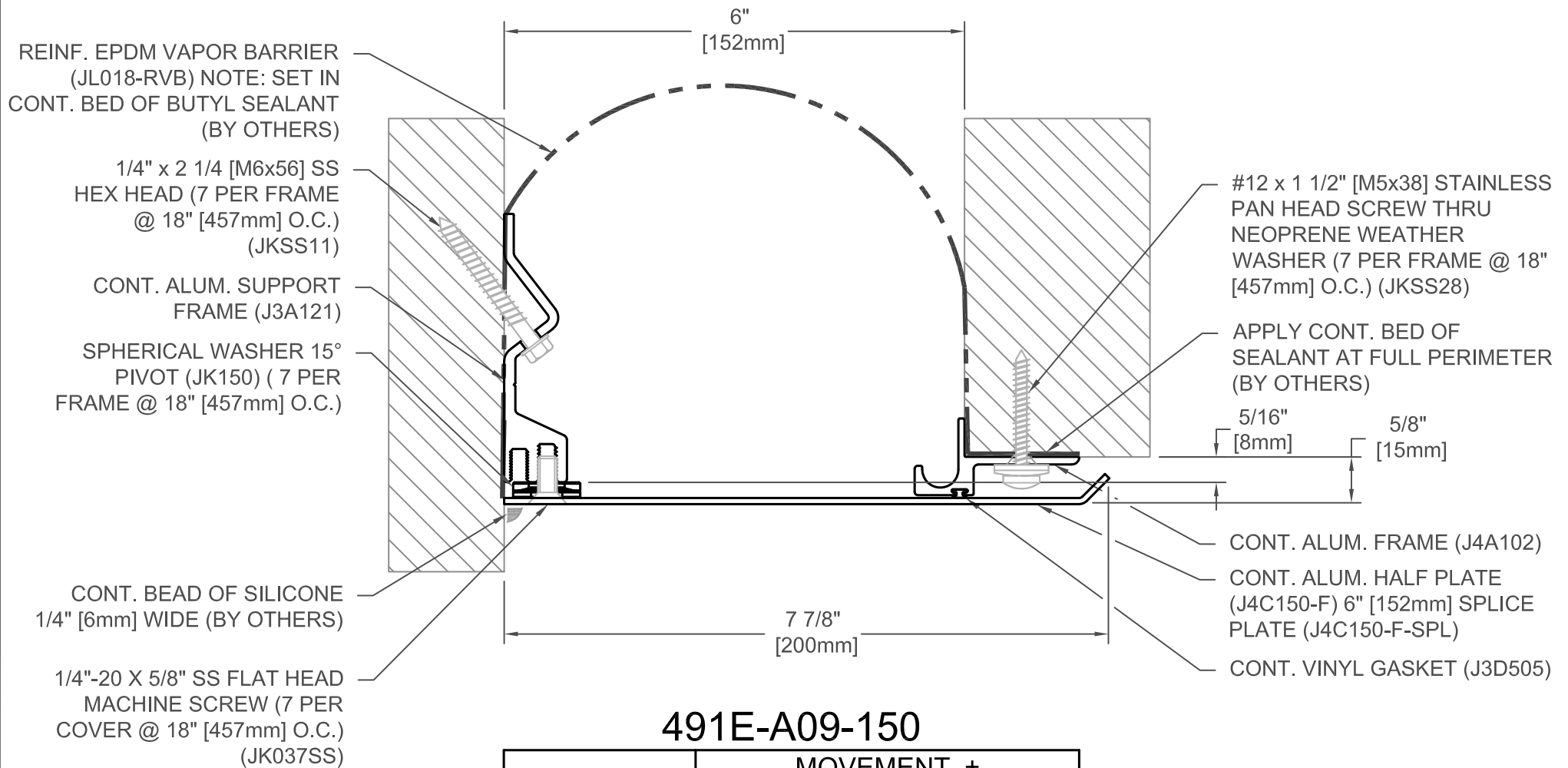
APPLICATION-
EXTERIOR CENTERING BAR SYSTEM
SURFACE MOUNT FRAME WALL/CORNER, WALL/CEILING CONDITION

DATE: 10-6-21

SCALE: 1:2

DOC: CADJM.243/R1

inpro.
For More Information Visit: Inprocorp.com



JOINT WIDTH		MOVEMENT ±			
		HORIZONTAL		VERTICAL	
US	mm	US	mm	US	mm
6"	152	1-1/2"	38	1-1/2"	38

FINISH: CLEAR ANODIZED
PROJECT:
CUSTOMER:
LOCATION:

APPLICATION-
EXTERIOR CENTERING BAR SYSTEM
SURFACE MOUNT FRAME WALL/CORNER, WALL/CEILING CONDITION

DATE:	10-6-21
SCALE:	1:2
DOC:	CADJM.243/R1



REINF. EPDM VAPOR BARRIER (JL018-RVB) NOTE: SET IN CONT. BED OF BUTYL SEALANT (BY OTHERS)

1/4" x 2 1/4 [M6x56] SS HEX HEAD (7 PER FRAME @ 18" [457mm] O.C.) (JKSS11)

CONT. ALUM. SUPPORT FRAME (J3A121)

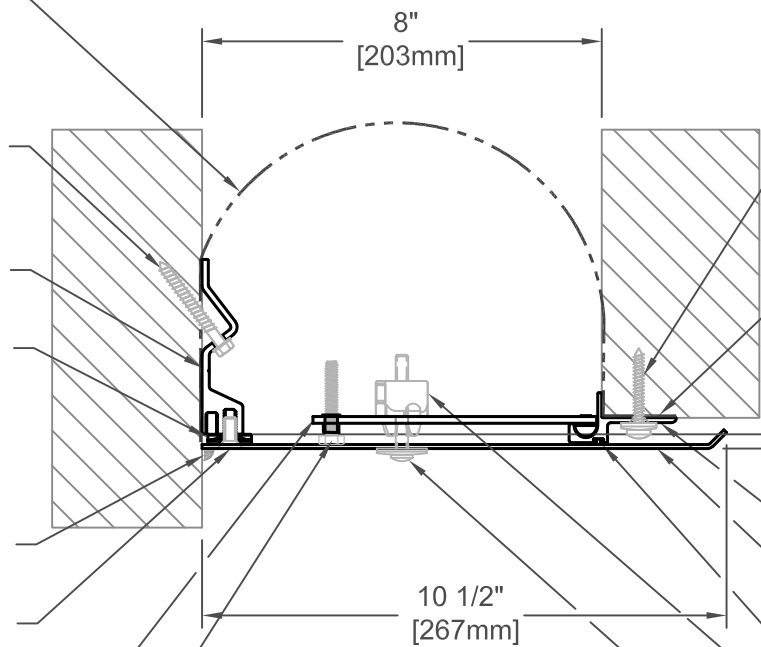
SPHERICAL WASHER 15° PIVOT (JK150) (7 PER FRAME @ 18" [457mm] O.C.)

CONT. BEAD OF SILICONE 1/4" [6mm] WIDE (BY OTHERS)

1/4"-20 X 5/8" SS FLAT HEAD MACHINE SCREW (7 PER COVER @ 18" [457mm] O.C.) (JK037SS)

STAINLESS STEEL CENTERING BAR (7 PER PLATE @ 18" [457mm] O.C.)(J7J012-HDBW1)

1/4"-20 X 1 1/2" HEX HEAD CAP SCREW (JK112)



#12 x 1 1/2" [M5x38] STAINLESS PAN HEAD SCREW THRU NEOPRENE WEATHER WASHER (7 PER FRAME @ 18" [457mm] O.C.) (JKSS28)

APPLY CONT. BED OF SEALANT AT FULL PERIMETER (BY OTHERS)

5/16" [8mm] 5/8" [16mm]

CONT. ALUM. FRAME (J4A102)

CONT. ALUM. HALF PLATE (J4C151-F) 6" [152mm] SPLICE PLATE (J4C151-F-SPL)

CONT. VINYL GASKET (J3D505)

INJECTION MOLDED CLIP WITH 1/4-20 SQUARE NUT (J4J002-INJRVA)

SS PAN HEAD MACHINE SCREW W/ NEOPRENE WEATHER WASHER (7 PER FRAME) (JKSS15)

491E-A09-200

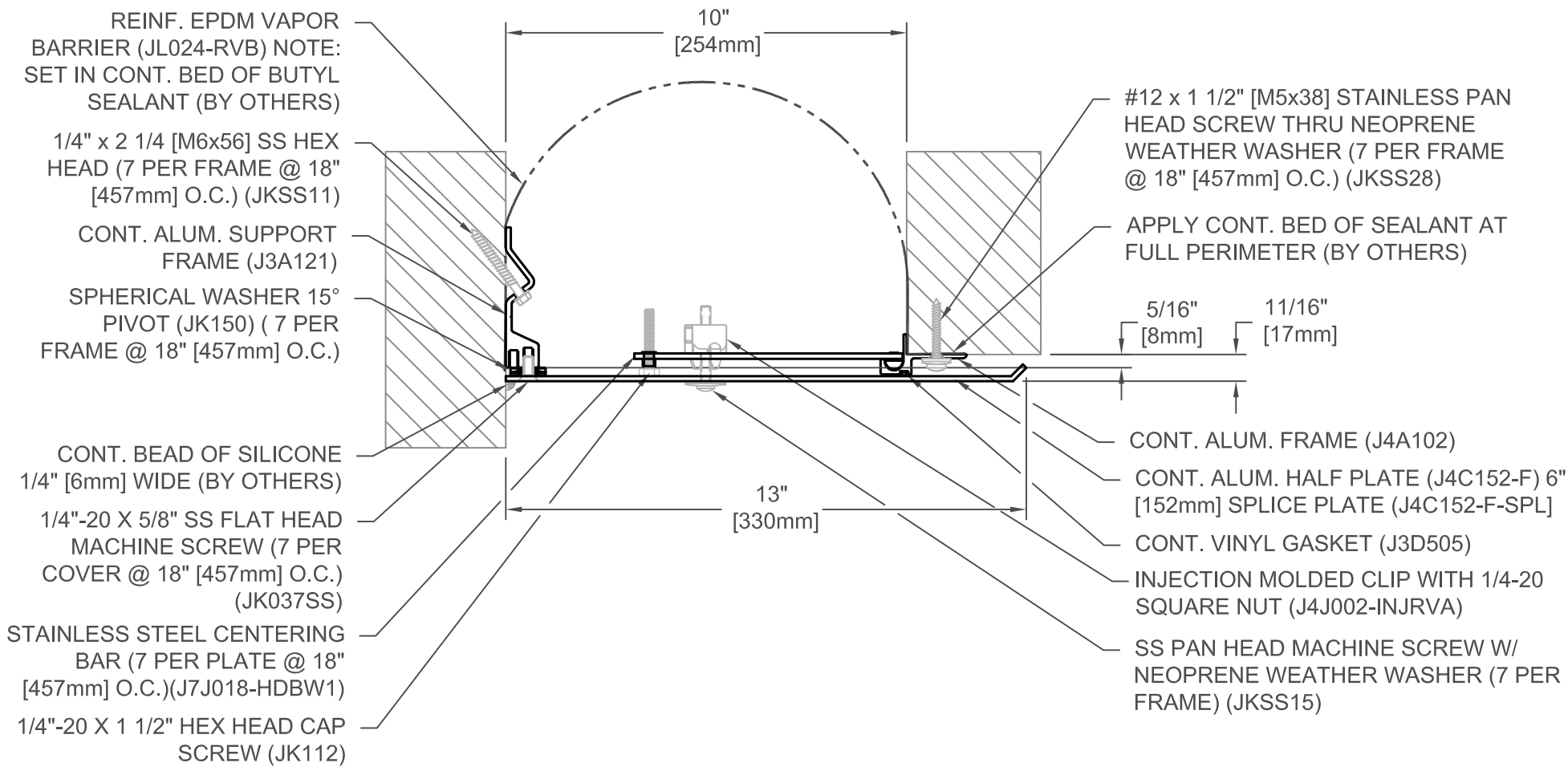
JOINT WIDTH		MOVEMENT ±			
		HORIZONTAL		VERTICAL	
US	mm	US	mm	US	mm
8"	203	2"	51	2"	51

FINISH: CLEAR ANODIZED
PROJECT:
CUSTOMER:
LOCATION:

APPLICATION-
EXTERIOR CENTERING BAR SYSTEM
-SURFACE MOUNT FRAME WALL/CORNER, WALL/CEILING CONDITION

DATE:	10-6-21
SCALE:	1:4
DOC:	CADJM.243/R1





491E-A09-250

JOINT WIDTH		MOVEMENT ±			
		HORIZONTAL		VERTICAL	
US	mm	US	mm	US	mm
10"	254	2-1/2"	64	2-1/2"	64

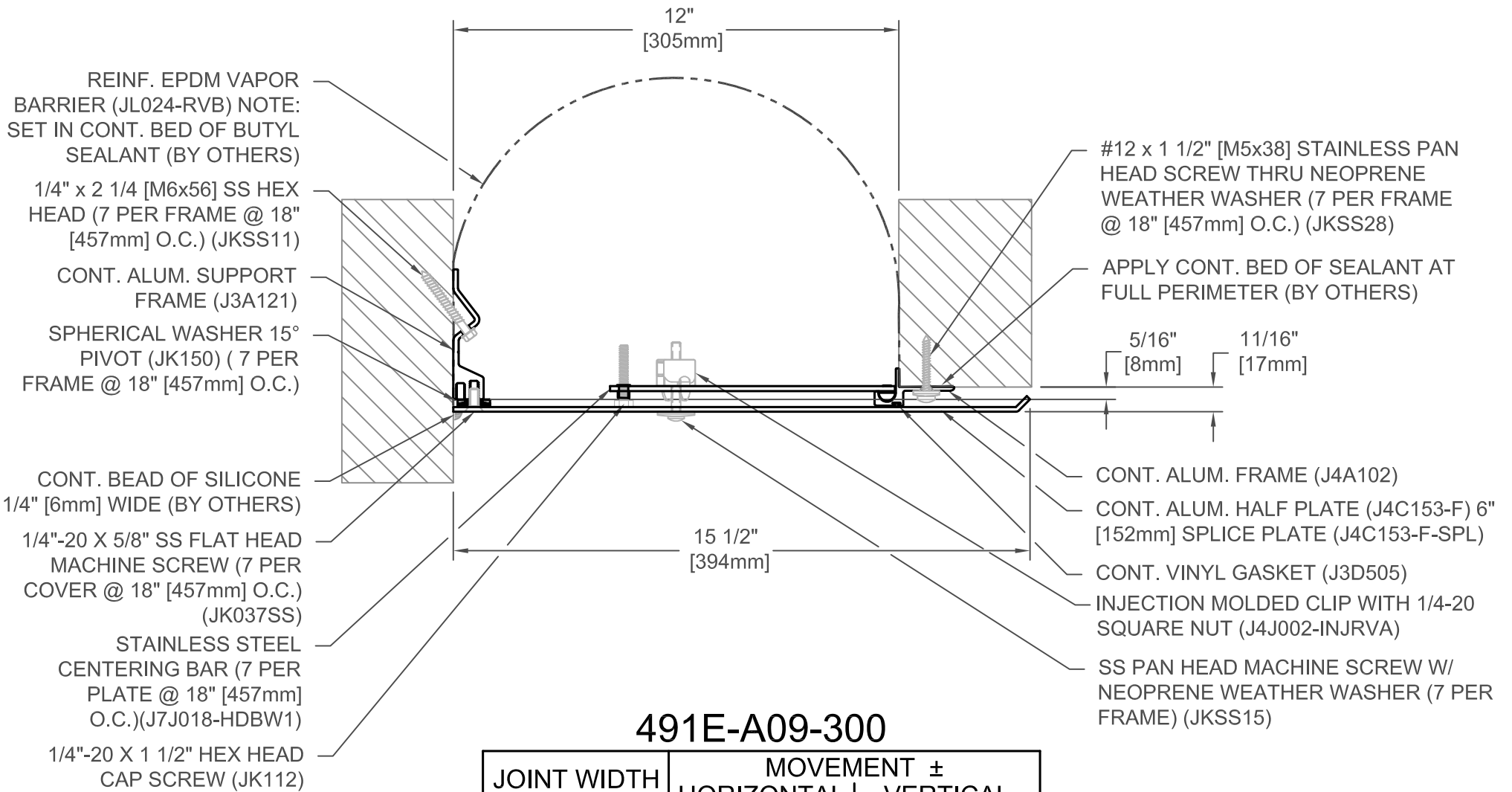
FINISH: CLEAR ANODIZED
PROJECT:
CUSTOMER:
LOCATION:

APPLICATION-
EXTERIOR CENTERING BAR SYSTEM
-SURFACE MOUNT FRAME WALL/CORNER, WALL/CEILING CONDITION

DATE:	10-6-21
SCALE:	1:4
DOC:	CADJM.243/R1



For More Information Visit: Inprocorp.com



FINISH: CLEAR ANODIZED
PROJECT:
CUSTOMER:
LOCATION:

APPLICATION-
EXTERIOR CENTERING BAR SYSTEM
-SURFACE MOUNT FRAME WALL/CORNER, WALL/CEILING CONDITION

DATE:	10-6-21
SCALE:	1:4
DOC:	CADJM.243/R1