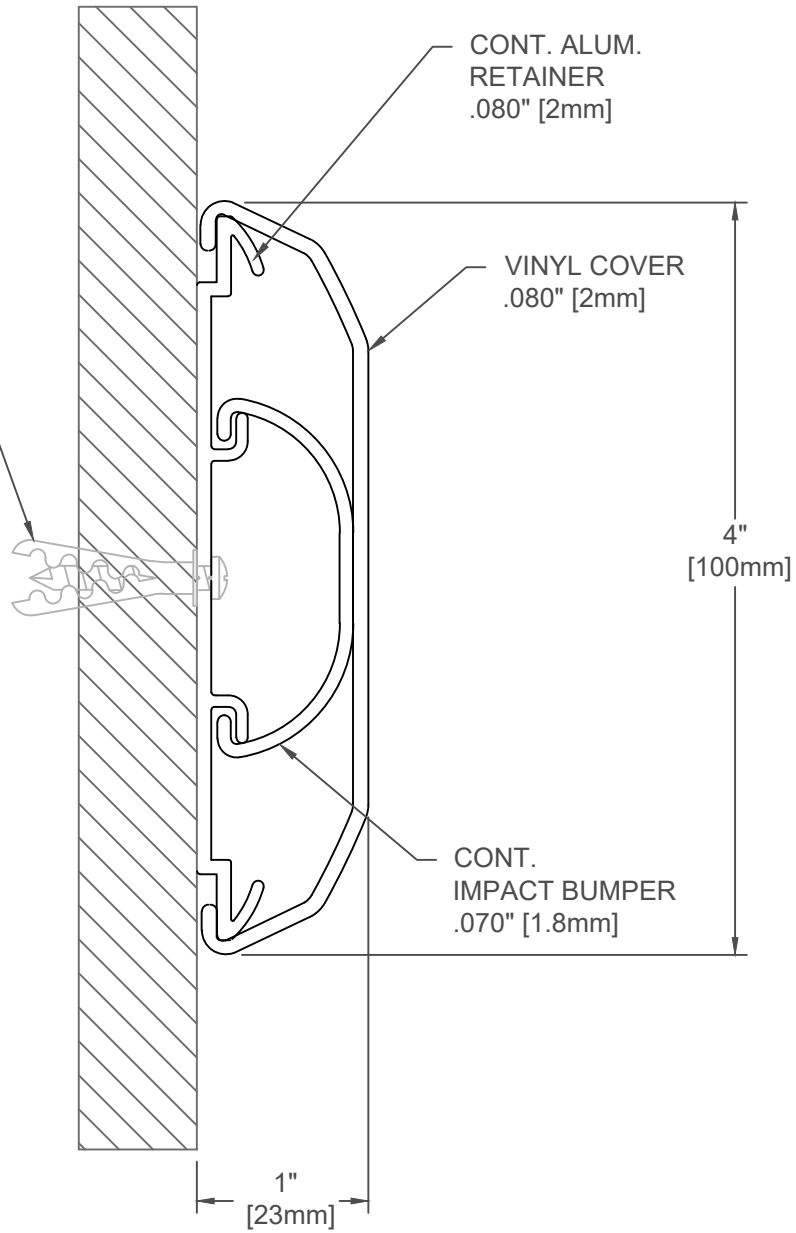


#10 x 1 3/4" [M5x44]
SHEET METAL SCREW
W/ ALLIGATOR ANCHOR
(HW53/HW38)



PROJECT:

CUSTOMER:

LOCATION:

5000 WALL GUARD

DATE: 2/6/03

SCALE: 1:1

DOC:CADIPC.078/R1

FINISH:



For More Information Visit: Inprocorp.com