

3/8"-16 x 1" HEX HEAD CAP
SCREW (7 PER FRAME @
18" [457mm] O.C.) (JK159)

CONT. ALUM. POP-UP
CENTER PAN (J5C301)

SANTOPRENE SEAL
(SEE CHART FOR P/N)

1/8" [3mm] WIDE SEALANT
(BY OTHERS)

HIGH STRENGTH EPOXY
GROUT INFILL (BY OTHERS)

STEEL CENTERING BAR
BUSHING (7 PER PLATE @
18" [457mm] O.C.) (J5J301)

HIGH STRENGTH EPOXY GROUT
PAN INFILL (BY OTHERS)

CENTERING BAR
FRAME (J5A303)

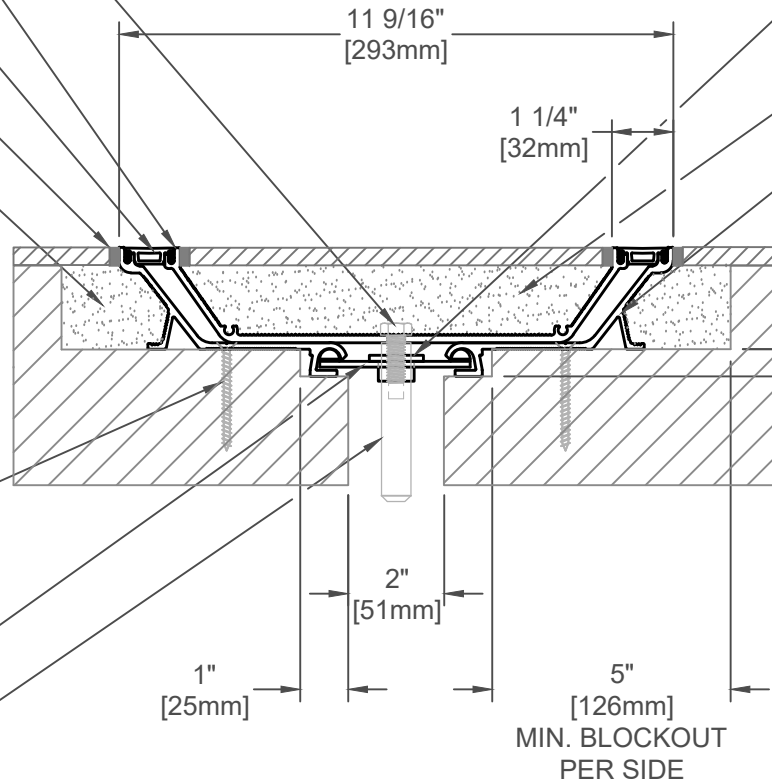
2 1/8"
[54mm]

9/16"
[14mm]

3/16" x 2 1/4" [M4.5x56] FLAT HEAD
CONCRETE SCREW (7 PER
FRAME @ 18" [457mm] O.C.)
(JK002)

SS CENTERING BAR (7 PER PLATE
@ 18" [457mm] O.C.) (J5J001-B)

STEEL CENTERING BAR POST
(7 PER PLATE @ 18" [457mm]
O.C.) (J5J300)



MIN. BLOCKOUT
PER SIDE

SPECIFY SEAL COLOR:	
Black (J1D501)	
Beige (J1D502)	
Gray (J1D503)	
Off White (J1D504)	
Bright White (J1D505)	
Greige (J1D506)	

501-A01-050

JOINT WIDTH		MOVEMENT ±			
		HORIZONTAL		VERTICAL	
US	mm	US	mm	US	mm
2"	51	1"	25	2 1/8"	54

NOTE:
TO DETERMINE BLOCKOUT DEPTH,
DEDUCT THICKNESS OF FLOOR
FINISH FROM FRAME HEIGHT.

FINISH: MILL
PROJECT:
CUSTOMER:
LOCATION:

APPLICATION-
INTERIOR FLOOR/FLOOR CONDITION

DATE:	8/22/17
SCALE:	1:4
DOC:	CADJM.131/R9



For More Information Visit: Inprocorp.com

3/8"-16 x 1" HEX HEAD CAP
SCREW (7 PER FRAME @
18" [457mm] O.C.) (JK159)

CONT. ALUM. POP-UP
CENTER PAN (J5C301)

SANTOPRENE SEAL
(SEE CHART FOR P/N)

1/8" [3mm] WIDE SEALANT
(BY OTHERS)

HIGH STRENGTH EPOXY
GROUT INFILL (BY OTHERS)

3/16" x 2 1/4" [M4.5x56] FLAT HEAD
CONCRETE SCREW (7 PER
FRAME @ 18" [457mm] O.C.)
(JK002)

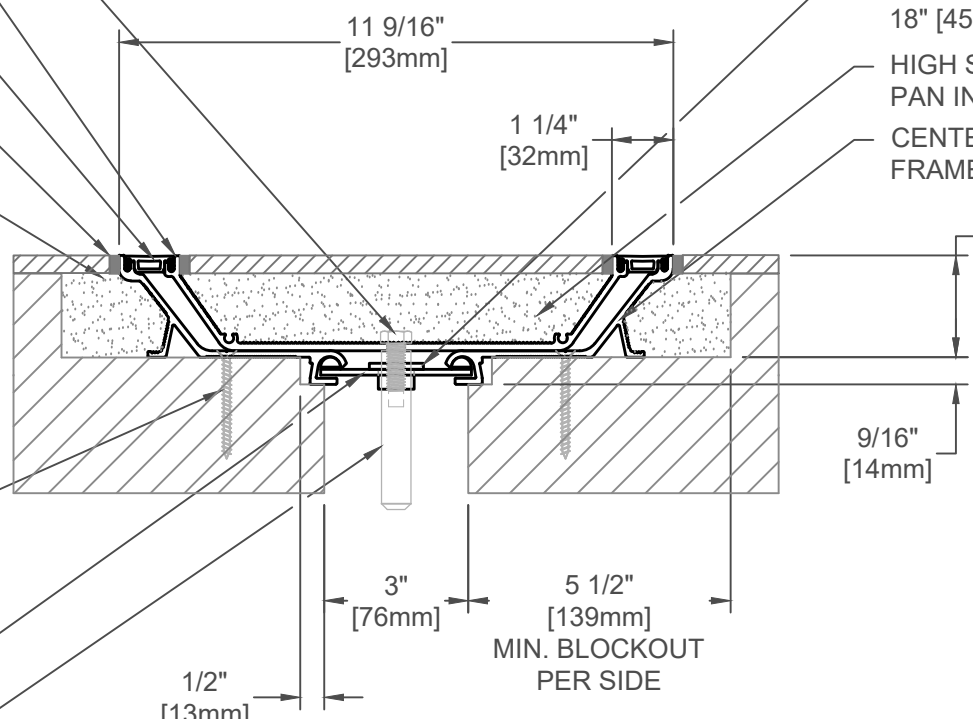
SS CENTERING BAR (7 PER PLATE
@ 18" [457mm] O.C.) (J5J001-B)

STEEL CENTERING BAR POST
(7 PER PLATE @ 18" [457mm]
O.C.) (J5J300)

STEEL CENTERING BAR
BUSHING (7 PER PLATE @
18" [457mm] O.C.) (J5J301)

HIGH STRENGTH EPOXY GROUT
PAN INFILL (BY OTHERS)

CENTERING BAR
FRAME (J5A303)



SPECIFY SEAL COLOR:	
Black (J1D501)	
Beige (J1D502)	
Gray (J1D503)	
Off White (J1D504)	
Bright White (J1D505)	
Greige (J1D506)	

501-A01-075

JOINT WIDTH		MOVEMENT ±			
		HORIZONTAL		VERTICAL	
US	mm	US	mm	US	mm
3"	76	1 1/2"	38	2 1/8"	54

NOTE:
TO DETERMINE BLOCKOUT DEPTH,
DEDUCT THICKNESS OF FLOOR
FINISH FROM FRAME HEIGHT.

FINISH: MILL
PROJECT:
CUSTOMER:
LOCATION:

APPLICATION-
INTERIOR FLOOR/FLOOR CONDITION

DATE:	11-25-20
SCALE:	1:4
DOC:	CADJM.131/R9



For More Information Visit: Inprocorp.com

3/8"-16 x 1" HEX HEAD CAP SCREW
(7 PER FRAME @ 18" [457mm] O.C.)
(JK159)

CONT. ALUM. POP-UP
CENTER PAN (J5C301)

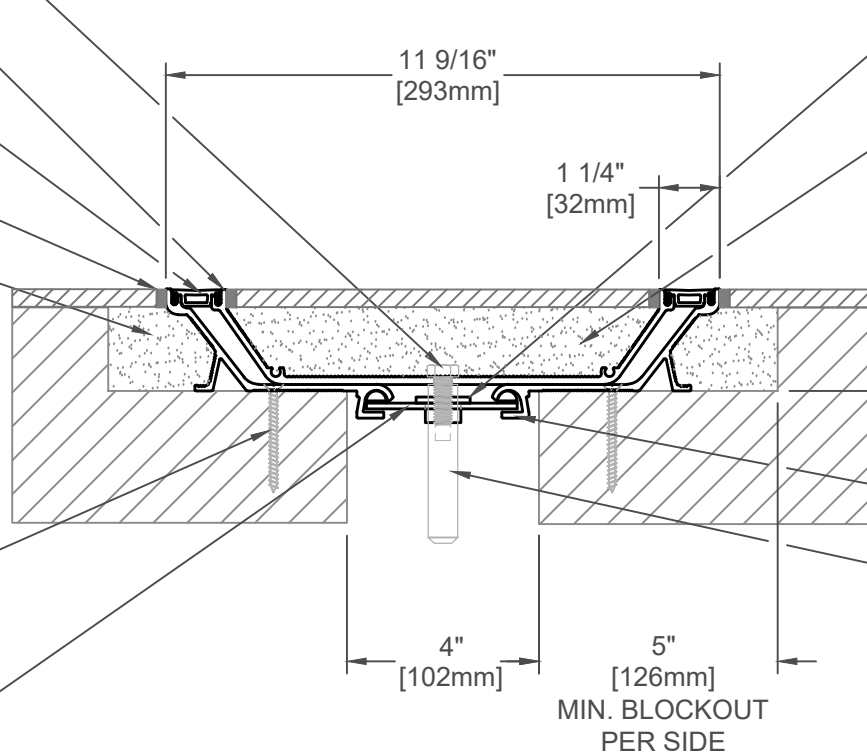
SANTOPRENE SEAL
(SEE CHART FOR P/N)

1/8" [3mm] WIDE SEALANT
(BY OTHERS)

HIGH STRENGTH EPOXY
GROUT INFILL (BY OTHERS)

3/16" x 2 1/4" [M4.5x56] FLAT HEAD
CONCRETE SCREW (7 PER
FRAME @ 18" [457mm] O.C.)
(JK002)

SS CENTERING BAR (7 PER PLATE
@ 18" [457mm] O.C.) (J5J001-B)



STEEL CENTERING BAR
BUSHING (7 PER PLATE @
18" [457mm] O.C.) (J5J301)

HIGH STRENGTH EPOXY GROUT
PAN INFILL (BY OTHERS)

2 1/8"
[54mm]

CENTERING BAR FRAME
(J5A303)

STEEL CENTERING BAR
POST (7 PER PLATE @
18" [457mm] O.C.) (J5J300)

4" [102mm] 5" [126mm]
MIN. BLOCKOUT
PER SIDE

SPECIFY SEAL COLOR:	
Black (J1D501)	
Beige (J1D502)	
Gray (J1D503)	
Off White (J1D504)	
Bright White (J1D505)	
Greige (J1D506)	

501-A01-100

JOINT WIDTH		MOVEMENT ±			
		HORIZONTAL		VERTICAL	
US	mm	US	mm	US	mm
4"	101	2"	50	2 1/8"	54

NOTE:
TO DETERMINE BLOCKOUT DEPTH,
DEDUCT THICKNESS OF FLOOR
FINISH FROM FRAME HEIGHT.

FINISH: MILL
PROJECT:
CUSTOMER:
LOCATION:

APPLICATION-
INTERIOR FLOOR/FLOOR CONDITION

DATE: 8/22/17
SCALE: 1:4
DOC: CADJM.131/R9

inpro.

For More Information Visit: Inprocorp.com

3/8"-16 x 1" HEX HEAD CAP SCREW (7 PER FRAME @ 18" [457mm] O.C.) (JK159)

CONT. ALUM. POP-UP CENTER PAN (J5C302)

SANTOPRENE SEAL (SEE CHART FOR P/N)

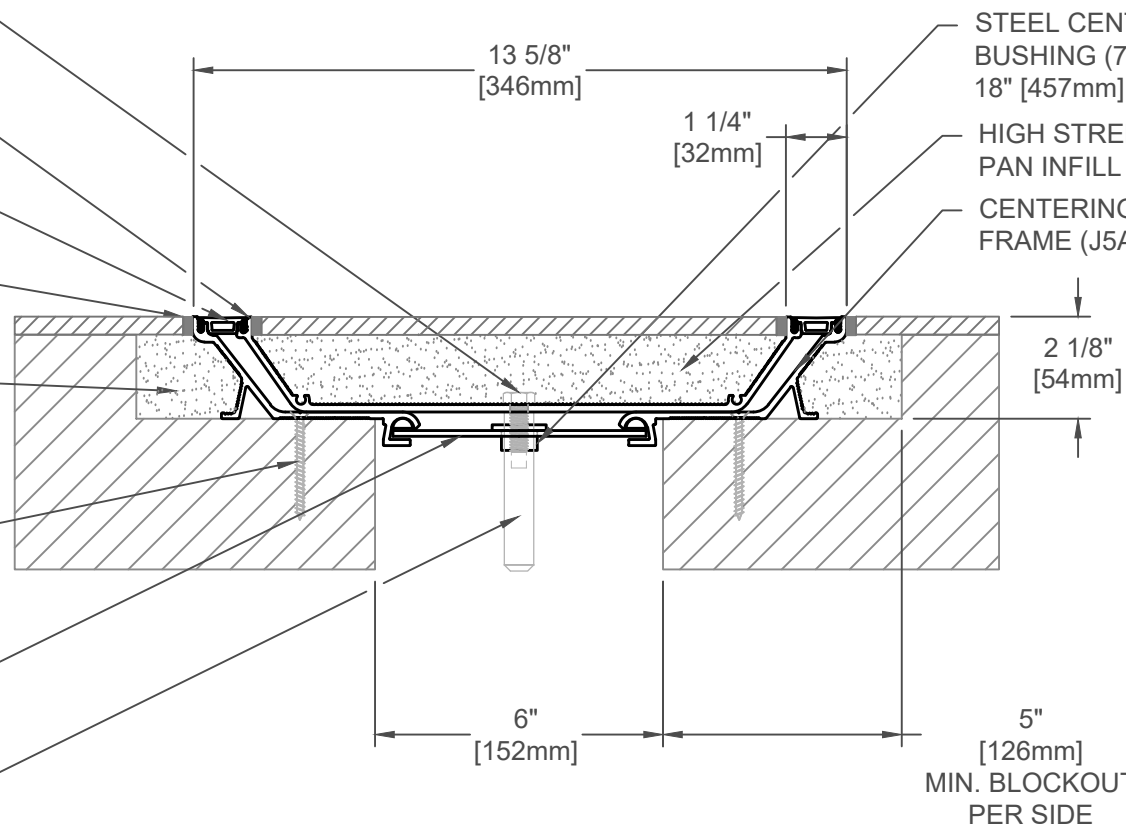
1/8" [3mm] WIDE SEALANT (BY OTHERS)

HIGH STRENGTH EPOXY GROUT INFILL (BY OTHERS)

3/16" x 2 1/4" [M4.5x56] FLAT HEAD CONCRETE SCREW (7 PER FRAME @ 18" [457mm] O.C.) (JK002)

SS CENTERING BAR (7 PER PLATE @ 18" [457mm] O.C.) (J5J001-B)

STEEL CENTERING BAR POST (7 PER PLATE @ 18" [457mm] O.C.) (J5J300)



STEEL CENTERING BAR BUSHING (7 PER PLATE @ 18" [457mm] O.C.) (J5J301)

HIGH STRENGTH EPOXY GROUT PAN INFILL (BY OTHERS)

CENTERING BAR FRAME (J5A303)

2 1/8" [54mm]

6" [152mm]

5" [126mm] MIN. BLOCKOUT PER SIDE

SPECIFY SEAL COLOR:	
Black (J1D501)	
Beige (J1D502)	
Gray (J1D503)	
Off White (J1D504)	
Bright White (J1D505)	
Greige (J1D506)	

501-A01-150

JOINT WIDTH		MOVEMENT ±			
		HORIZONTAL		VERTICAL	
US	mm	US	mm	US	mm
6"	152	3"	75	2 1/8"	54

NOTE:
TO DETERMINE BLOCKOUT DEPTH,
DEDUCT THICKNESS OF FLOOR
FINISH FROM FRAME HEIGHT.

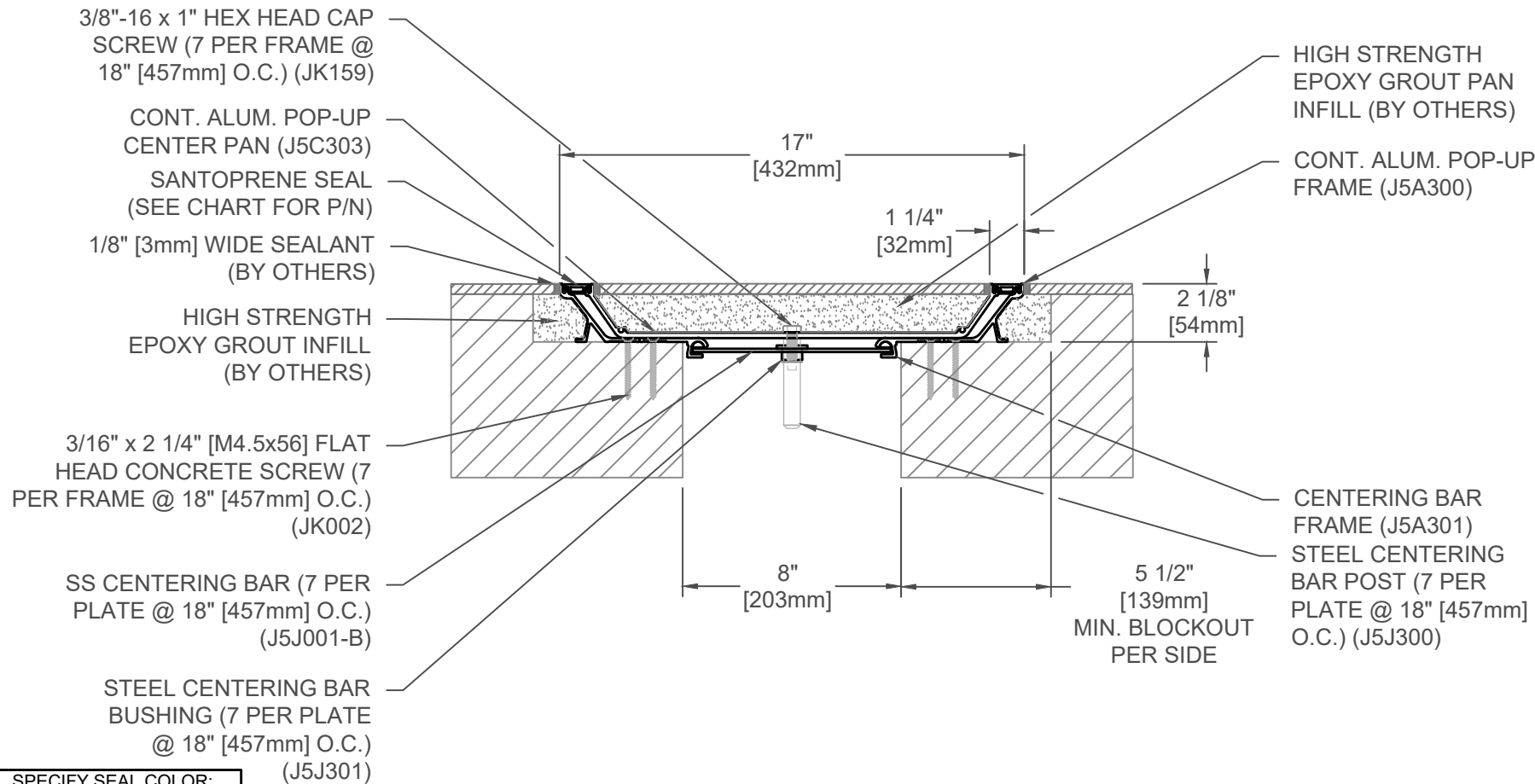
FINISH: MILL
PROJECT:
CUSTOMER:
LOCATION:

APPLICATION-
INTERIOR FLOOR/FLOOR CONDITION

DATE:	8/22/17
SCALE:	1:4
DOC:	CADJM.131/R9

inpro.

For More Information Visit: Inprocorp.com



SPECIFY SEAL COLOR:	
Black (J1D501)	
Beige (J1D502)	
Gray (J1D503)	
Off White (J1D504)	
Bright White (J1D505)	
Greige (J1D506)	

501-A01-200

JOINT WIDTH		MOVEMENT ±			
		HORIZONTAL		VERTICAL	
US	mm	US	mm	US	mm
8"	203	4"	100	2 1/8"	54

NOTE:
TO DETERMINE BLOCKOUT DEPTH,
DEDUCT THICKNESS OF FLOOR
FINISH FROM FRAME HEIGHT.

FINISH: MILL
PROJECT:
CUSTOMER:
LOCATION:

APPLICATION-
INTERIOR FLOOR/FLOOR CONDITION

DATE:	8/22/17
SCALE:	1:6
DOC:	CADJM.131/R9

inpro.

For More Information Visit: Inprocorp.com

3/8"-16 x 1" HEX HEAD CAP SCREW (7 PER FRAME @ 18" [457mm] O.C.) (JK159)

CONT. ALUM. POP-UP CENTER PAN (J5C305-AFW)

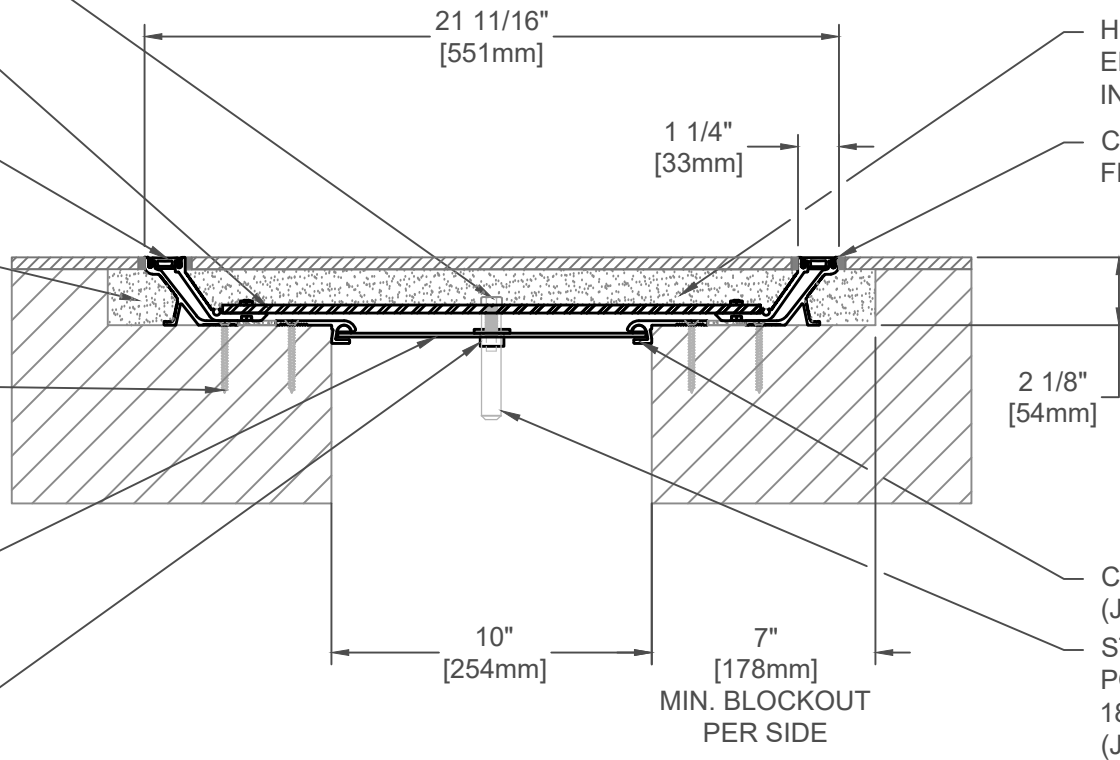
SANTOPRENE SEAL (SEE CHART FOR P/N)

HIGH STRENGTH EPOXY GROUT INFILL (BY OTHERS)

3/16" x 2 1/4" [M4.5x56] FLAT HEAD CONCRETE SCREW (7 PER FRAME @ 18" [457mm] O.C.) (JK002)

SS CENTERING BAR (7 PER PLATE @ 18" [457mm] O.C.) (J5J002-B)

STEEL CENTERING BAR BUSHING (7 PER PLATE @ 18" [457mm] O.C.) (J5J301)



HIGH STRENGTH EPOXY GROUT PAN INFILL (BY OTHERS)

CONT. ALUM. POP-UP FRAME (J5A300)

CENTERING BAR FRAME (J5A301)

STEEL CENTERING BAR POST (7 PER PLATE @ 18" [457mm] O.C.) (J5J300)

SPECIFY SEAL COLOR:	
Black (J1D501)	
Beige (J1D502)	
Gray (J1D503)	
Off White (J1D504)	
Bright White (J1D505)	
Greige (J1D506)	

501-A01-250

JOINT WIDTH		MOVEMENT ±			
		HORIZONTAL		VERTICAL	
US	mm	US	mm	US	mm
10"	254	5"	125	2 1/8"	54

NOTE:
TO DETERMINE BLOCKOUT DEPTH, DEDUCT THICKNESS OF FLOOR FINISH FROM FRAME HEIGHT.

FINISH: MILL
PROJECT:
CUSTOMER:
LOCATION:

APPLICATION-
INTERIOR FLOOR/FLOOR CONDITION

DATE:	8/22/17
SCALE:	1:6
DOC:	CADJM.131/R9



For More Information Visit: Inprocorp.com

3/8"-16 x 1" HEX HEAD CAP
SCREW (7 PER FRAME @ 18"
[457mm] O.C.) (JK159)

CONT. ALUM. POP-UP
CENTER PAN
(J5C306-AFW)

SANTOPRENE SEAL
(SEE CHART FOR P/N)

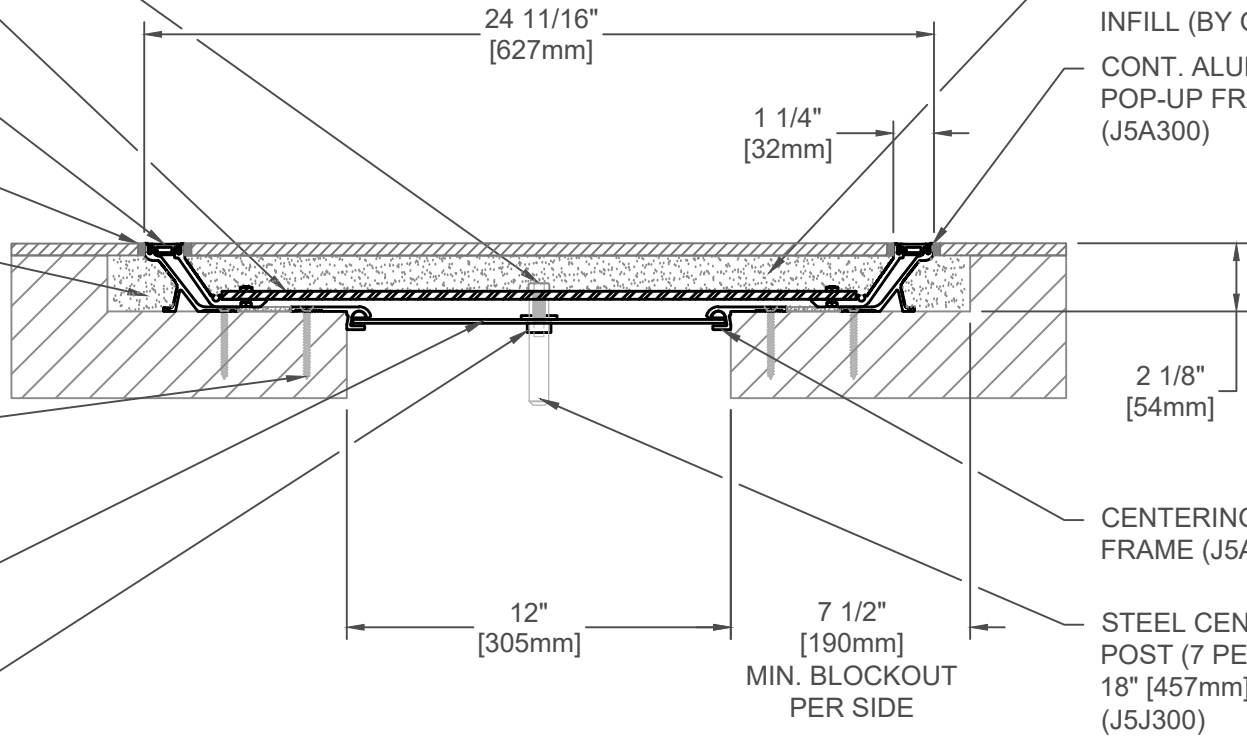
1/8" [3mm] WIDE SEALANT
(BY OTHERS)

HIGH STRENGTH EPOXY
GROUT INFILL (BY OTHERS)

3/16" x 2 1/4" [M4.5x56] FLAT
HEAD CONCRETE SCREW (7
PER FRAME @ 18" [457mm]
O.C.) (JK002)

SS CENTERING BAR (7 PER
PLATE @ 18" [457mm] O.C.)
(J5J002-B)

STEEL CENTERING BAR
BUSHING (7 PER PLATE @
18" [457mm] O.C.) (J5J301)



HIGH STRENGTH
EPOXY GROUT PAN
INFILL (BY OTHERS)

CONT. ALUM.
POP-UP FRAME
(J5A300)

CENTERING BAR
FRAME (J5A301)

STEEL CENTERING BAR
POST (7 PER PLATE @
18" [457mm] O.C.)
(J5J300)

7 1/2"
[190mm]
MIN. BLOCKOUT
PER SIDE

501-A01-300

JOINT WIDTH		MOVEMENT ±			
		HORIZONTAL		VERTICAL	
US	mm	US	mm	US	mm
12"	305	6"	150	2 1/8"	54

NOTE:
TO DETERMINE BLOCKOUT DEPTH,
DEDUCT THICKNESS OF FLOOR
FINISH FROM FRAME HEIGHT.

SPECIFY SEAL COLOR:	
Black (J1D501)	
Beige (J1D502)	
Gray (J1D503)	
Off White (J1D504)	
Bright White (J1D505)	
Greige (J1D506)	

FINISH: MILL
PROJECT:
CUSTOMER:
LOCATION:

APPLICATION-
INTERIOR FLOOR/FLOOR CONDITION

DATE:	8/22/17
SCALE:	1:6
DOC:	CADJM.131/R9

inpro.

For More Information Visit: Inprocorp.com

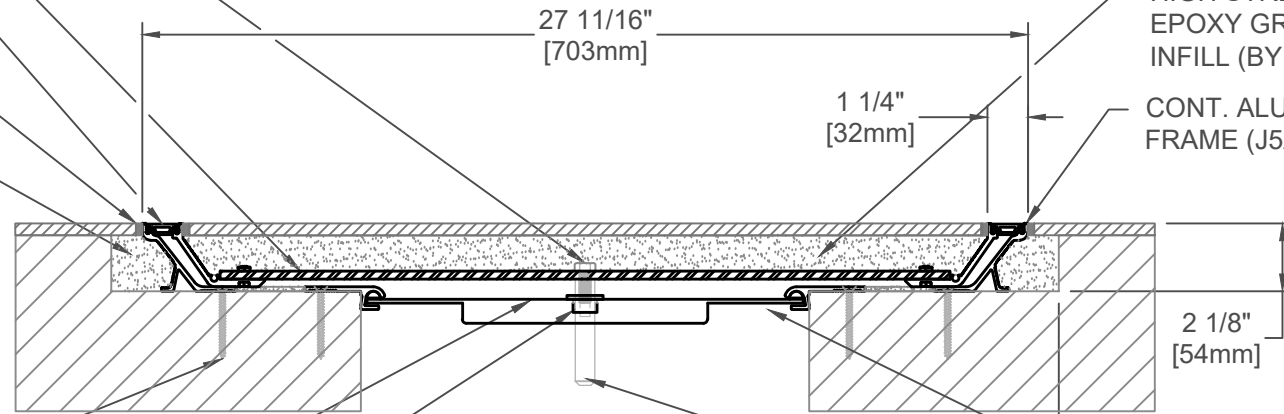
3/8"-16 x 1" HEX HEAD CAP
SCREW (7 PER FRAME @
18" [457mm] O.C.) (JK159)

CONT. ALUM. POP-UP
CENTER PAN (J5C579-AM)

SANTOPRENE SEAL
(SEE CHART FOR P/N)

1/8" [3mm] WIDE SEALANT
(BY OTHERS)

HIGH STRENGTH EPOXY
GROUT INFILL (BY OTHERS)



HIGH STRENGTH
EPOXY GROUT PAN
INFILL (BY OTHERS)

CONT. ALUM. POP-UP
FRAME (J5A300)

2 1/8"
[54mm]

3/16" x 2 1/4" [M4.5x56]
FLAT HEAD CONCRETE
SCREW (7 PER FRAME @
18" [457mm] O.C.) (JK002)

SS CENTERING BAR (7 PER
PLATE @ 18" [457mm] O.C.)
(J5J010-B)

STEEL CENTERING BAR
BUSHING (7 PER PLATE @
18" [457mm] O.C.) (J5J301)

CENTERING BAR
FRAME (J5A301)

STEEL CENTERING BAR
POST (7 PER PLATE @
18" [457mm] O.C.) (J5J300)

14"
[356mm]

7 13/16"
[198mm]
MIN. BLOCKOUT
PER SIDE

SPECIFY SEAL COLOR:	
Black (J1D501)	
Beige (J1D502)	
Gray (J1D503)	
Off White (J1D504)	
Bright White (J1D505)	
Greige (J1D506)	

501-A01-350

JOINT WIDTH		MOVEMENT ±			
		HORIZONTAL		VERTICAL	
US	mm	US	mm	US	mm
14"	356	7"	178	2 1/8"	54

NOTE:
TO DETERMINE BLOCKOUT DEPTH,
DEDUCT THICKNESS OF FLOOR
FINISH FROM FRAME HEIGHT.

FINISH: MILL
PROJECT:
CUSTOMER:
LOCATION:

APPLICATION-
INTERIOR FLOOR/FLOOR CONDITION

DATE: 1-16-19
SCALE: 1:6
DOC: CADJM.131/R9



For More Information Visit: Inprocorp.com

3/8"-16 x 1" HEX HEAD CAP
SCREW (7 PER FRAME @ 18"
[457mm] O.C.) (JK159)

PAN INFILL (BY OTHERS)

CONT. ALUM. POP-UP
CENTER PAN (J5C680-SM)

SANTOPRENE SEAL
(SEE CHART FOR P/N)

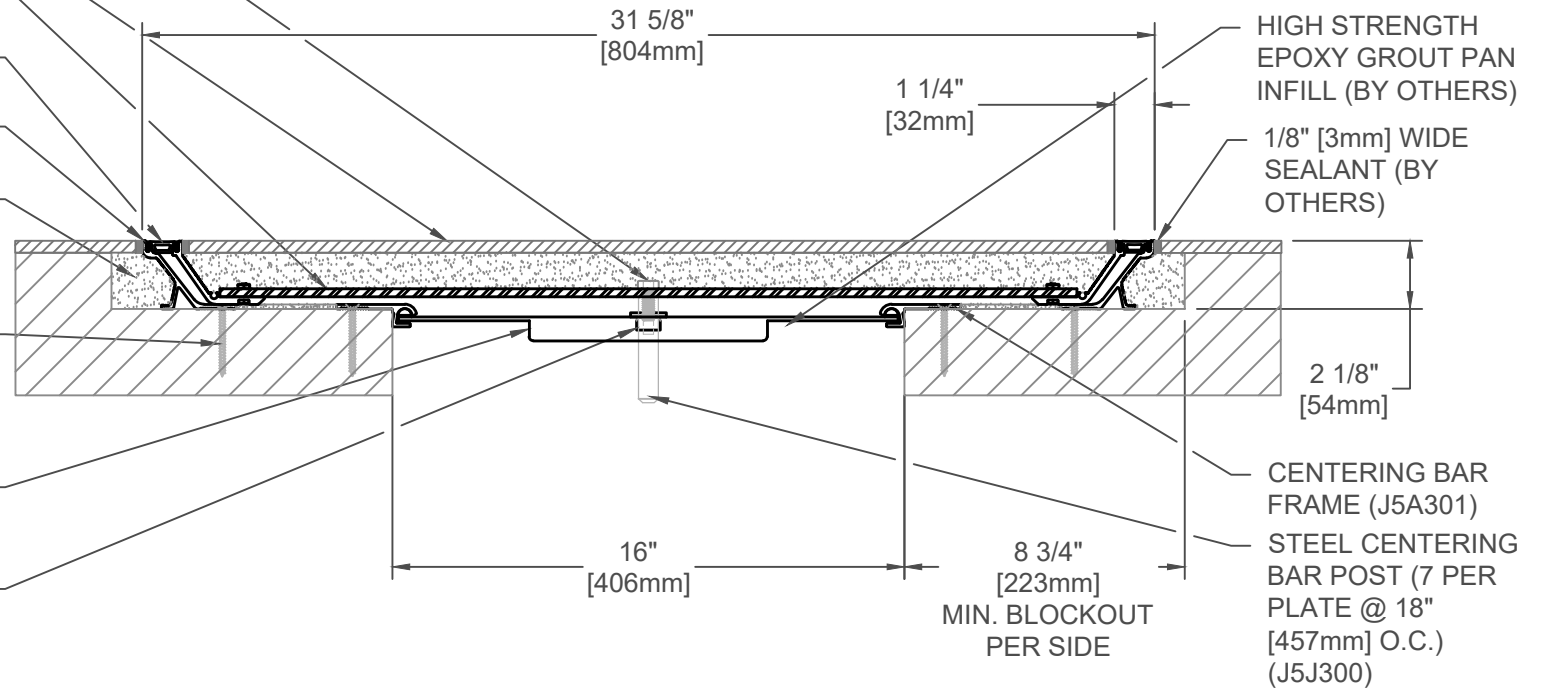
CONT. ALUM. POP-UP
FRAME (J5A300)

HIGH STRENGTH EPOXY
GROUT INFILL (BY OTHERS)

3/16" x 2 1/4" [M4.5x56]
FLAT HEAD CONCRETE
SCREW (7 PER FRAME @
18" [457mm] O.C.) (JK002)

SS CENTERING BAR (7 PER
PLATE @ 18" [457mm] O.C.)
(J5J012-B)

STEEL CENTERING BAR
BUSHING (7 PER PLATE @
18" [457mm] O.C.) (J5J301)



SPECIFY SEAL COLOR:	
Black (J1D501)	
Beige (J1D502)	
Gray (J1D503)	
Off White (J1D504)	
Bright White (J1D505)	
Greige (J1D506)	

501-A01-400

JOINT WIDTH		MOVEMENT ±			
		HORIZONTAL		VERTICAL	
US	mm	US	mm	US	mm
16"	406	8"	203	2 1/8"	54

NOTE:
TO DETERMINE BLOCKOUT DEPTH,
DEDUCT THICKNESS OF FLOOR
FINISH FROM FRAME HEIGHT.

FINISH: MILL
PROJECT:
CUSTOMER:
LOCATION:

APPLICATION-
INTERIOR FLOOR/FLOOR CONDITION

DATE:	8/22/17
SCALE:	1:6
DOC:	CADJM.131/R9

inpro.

For More Information Visit: Inprocorp.com

3/8"-16 x 1" HEX HEAD CAP
SCREW (7 PER FRAME @ 18"
[457mm] O.C.) (JK159)

CONT. ALUM. POP-UP
CENTER PAN (J5C709-AM)

SANTOPRENE SEAL
(SEE CHART FOR P/N)

CONT. ALUM. POP-UP
FRAME (J5A300)

HIGH STRENGTH EPOXY
GROUT INFILL (BY OTHERS)

3/16" x 2 1/4" [M4.5x56]
FLAT HEAD CONCRETE
SCREW (7 PER FRAME @
18" [457mm] O.C.) (JK002)

SS CENTERING BAR (7 PER
PLATE @ 18" [457mm] O.C.)
(J5J011-B)

STEEL CENTERING BAR
BUSHING (7 PER PLATE @
18" [457mm] O.C.) (J5J301)

32 3/4"
[832mm]

1 1/4"
[32mm]

HIGH STRENGTH
EPOXY GROUT PAN
INFILL (BY OTHERS)

1/8" [3mm] WIDE
SEALANT (BY
OTHERS)

2 1/8"
[54mm]

CENTERING BAR
FRAME (J5A301)

STEEL CENTERING
BAR POST (7 PER
PLATE @ 18"
[457mm] O.C.)
(J5J300)

17"
[432mm]

8 7/8"
[225mm]
MIN. BLOCKOUT
PER SIDE

SPECIFY SEAL COLOR:	
Black (J1D501)	
Beige (J1D502)	
Gray (J1D503)	
Off White (J1D504)	
Bright White (J1D505)	
Greige (J1D506)	

501-A01-425

JOINT WIDTH		MOVEMENT ±			
		HORIZONTAL		VERTICAL	
US	mm	US	mm	US	mm
17"	432	8 1/2"	216	2 1/8"	54

NOTE:
TO DETERMINE BLOCKOUT DEPTH,
DEDUCT THICKNESS OF FLOOR
FINISH FROM FRAME HEIGHT.

FINISH: MILL
PROJECT:
CUSTOMER:
LOCATION:

APPLICATION-
INTERIOR FLOOR/FLOOR CONDITION

DATE:	9/13/21
SCALE:	1:6
DOC:	CADJM.131/R9

inpro.

For More Information Visit: Inprocorp.com

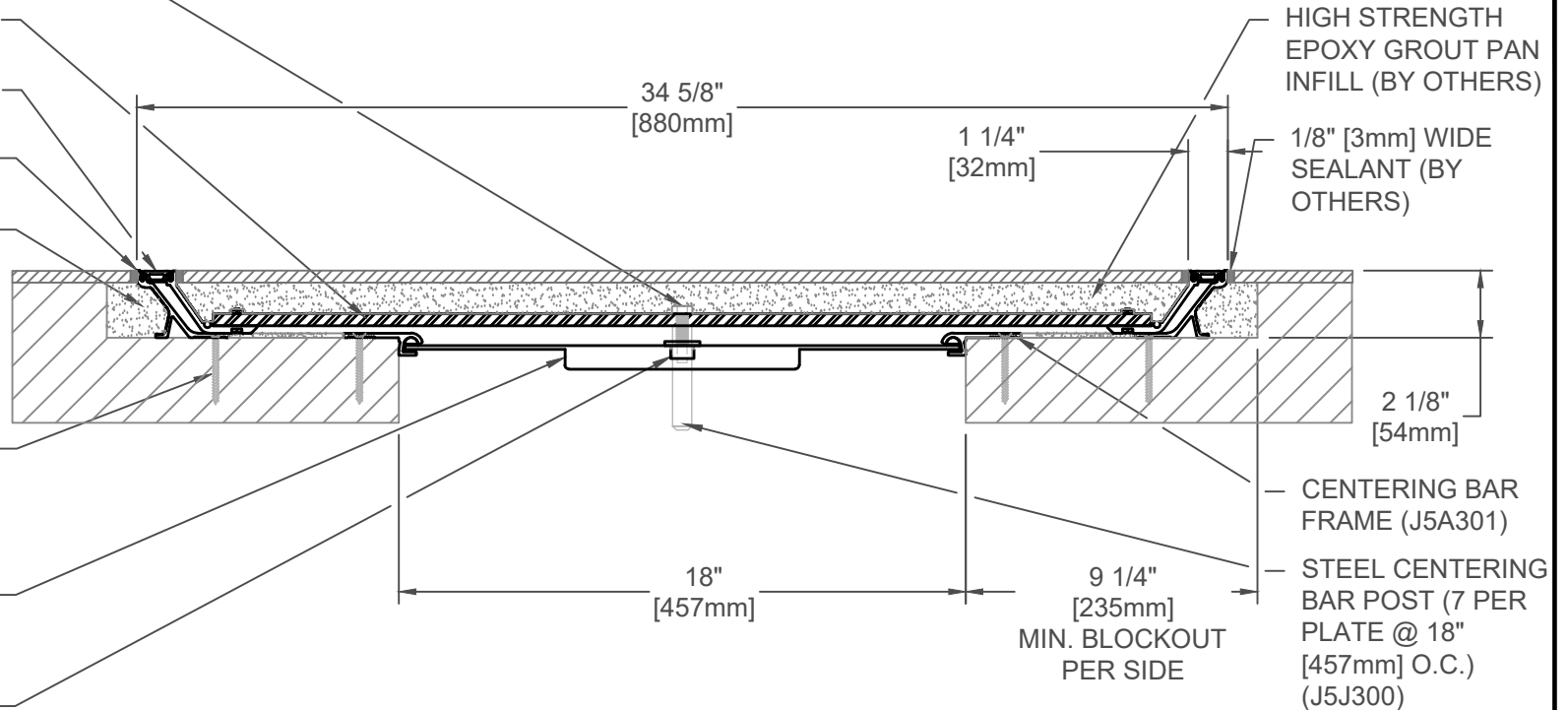
3/8"-16 x 1" HEX HEAD CAP
SCREW (7 PER FRAME @ 18"
[457mm] O.C.) (JK159)

CONT. ALUM. POP-UP
CENTER PAN (J5C757-AM)

SANTOPRENE SEAL
(SEE CHART FOR P/N)

CONT. ALUM. POP-UP
FRAME (J5A300)

HIGH STRENGTH EPOXY
GROUT INFILL (BY OTHERS)



SPECIFY SEAL COLOR:	
Black (J1D501)	
Beige (J1D502)	
Gray (J1D503)	
Off White (J1D504)	
Bright White (J1D505)	
Greige (J1D506)	

501-A01-450

JOINT WIDTH		MOVEMENT ±			
		HORIZONTAL		VERTICAL	
US	mm	US	mm	US	mm
18"	457	9"	229	2 1/8"	54

NOTE:
TO DETERMINE BLOCKOUT DEPTH,
DEDUCT THICKNESS OF FLOOR
FINISH FROM FRAME HEIGHT.

FINISH: MILL
PROJECT:
CUSTOMER:
LOCATION:

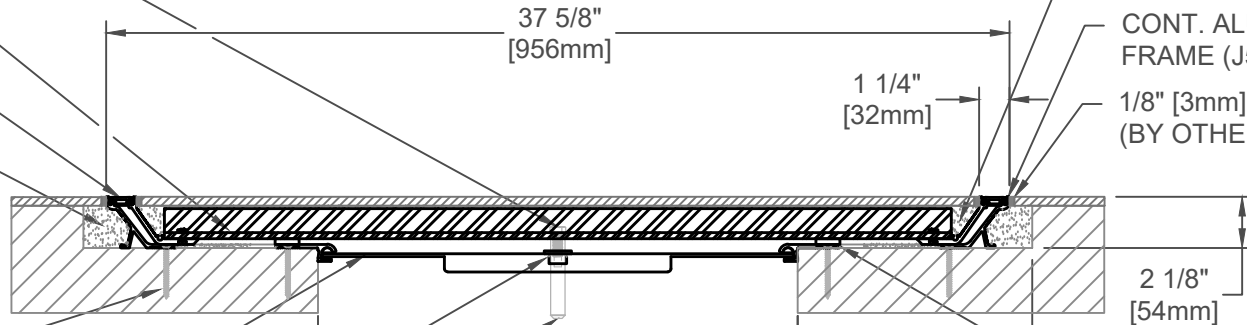
APPLICATION-
INTERIOR FLOOR/FLOOR CONDITION

DATE:	7-30-19
SCALE:	1:6
DOC:	CADJM.131/R9

inpro.

For More Information Visit: Inprocorp.com

3/8"-16 x 1" HEX HEAD CAP SCREW (7 PER FRAME @ 18" [457mm] O.C.) (JK159)
 CONT. ALUM. POP-UP CENTER PAN (J5C833-AGM)
 SANTOPRENE SEAL (SEE CHART FOR P/N)
 HIGH STRENGTH EPOXY GROUT INFILL (BY OTHERS)



HIGH STRENGTH EPOXY GROUT PAN INFILL (BY OTHERS)
 CONT. ALUM. POP-UP FRAME (J5A300)
 1/8" [3mm] WIDE SEALANT (BY OTHERS)

3/16" x 2 1/4" [M4.5x56] FLAT HEAD CONCRETE SCREW (7 PER FRAME @ 18" [457mm] O.C.) (JK002)
 SS CENTERING BAR (7 PER PLATE @ 18" [457mm] O.C.) (J5J012-B)
 STEEL CENTERING BAR BUSHING (7 PER PLATE @ 18" [457mm] O.C.) (J5J301)
 STEEL CENTERING BAR POST (7 PER PLATE @ 18" [457mm] O.C.) (J5J300)

MIN. BLOCKOUT PER SIDE

CENTERING BAR FRAME (J5A301)

501-A01-500

SPECIFY SEAL COLOR:	
Black (J1D501)	
Beige (J1D502)	
Gray (J1D503)	
Off White (J1D504)	
Bright White (J1D505)	
Greige (J1D506)	

JOINT WIDTH		MOVEMENT ±			
		HORIZONTAL		VERTICAL	
US	mm	US	mm	US	mm
20"	508	10"	254	2 1/8"	54

NOTE:
 TO DETERMINE BLOCKOUT DEPTH, DEDUCT THICKNESS OF FLOOR FINISH FROM FRAME HEIGHT.

FINISH: MILL
PROJECT:
CUSTOMER:
LOCATION:

APPLICATION-
 INTERIOR FLOOR/FLOOR CONDITION

DATE: 10-21-19
 SCALE: 1:8
 DOC: CADJM.131/R9

inpro.

For More Information Visit: Inprocorp.com

3/8"-16 x 1" HEX HEAD CAP
SCREW (7 PER FRAME @
18" [457mm] O.C.) (JK159)

CONT. ALUM. POP-UP
CENTER PAN (J5C985-AGM)

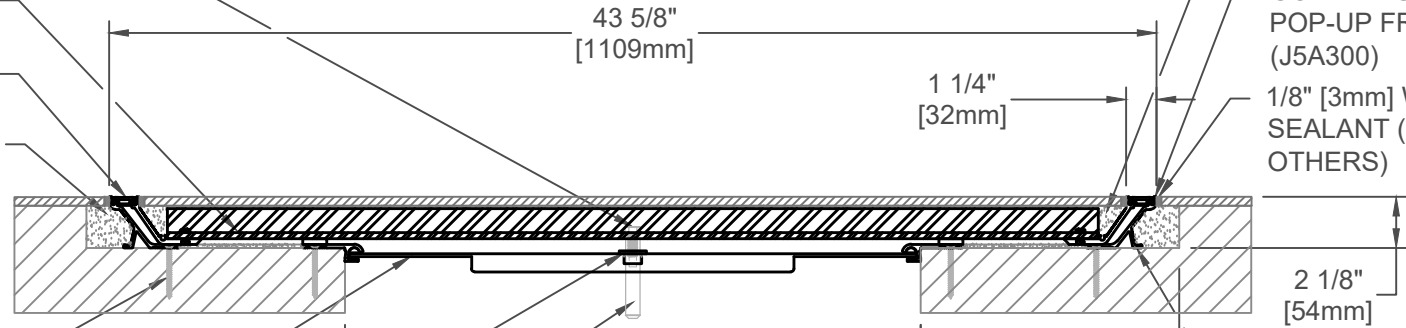
SANTOPRENE SEAL
(SEE CHART FOR P/N)

HIGH STRENGTH EPOXY
GROUT INFILL (BY OTHERS)

HIGH STRENGTH
EPOXY GROUT PAN
INFILL (BY OTHERS)

CONT. ALUM.
POP-UP FRAME
(J5A300)

1/8" [3mm] WIDE
SEALANT (BY
OTHERS)



3/16" x 2 1/4" [M4.5x56]
FLAT HEAD CONCRETE
SCREW (7 PER FRAME @
18" [457mm] O.C.) (JK002)

SS CENTERING BAR (7
PER PLATE @ 18" [457mm]
O.C.) (J5J012-B)

STEEL CENTERING BAR
BUSHING (7 PER PLATE @
18" [457mm] O.C.) (J5J301)

STEEL CENTERING BAR
POST (7 PER PLATE @ 18"
[457mm] O.C.) (J5J300)

10 3/4"
[274mm]
MIN. BLOCKOUT
PER SIDE

CENTERING
BAR FRAME
(J5A301)

501-A01-600

SPECIFY SEAL COLOR:	
Black (J1D501)	
Beige (J1D502)	
Gray (J1D503)	
Off White (J1D504)	
Bright White (J1D505)	
Greige (J1D506)	

JOINT WIDTH		MOVEMENT ±			
		HORIZONTAL		VERTICAL	
US	mm	US	mm	US	mm
24"	610	12"	305	2 1/8"	54

NOTE:
TO DETERMINE BLOCKOUT DEPTH,
DEDUCT THICKNESS OF FLOOR
FINISH FROM FRAME HEIGHT.

FINISH: MILL

PROJECT:

CUSTOMER:

LOCATION:

APPLICATION-
INTERIOR FLOOR/FLOOR CONDITION

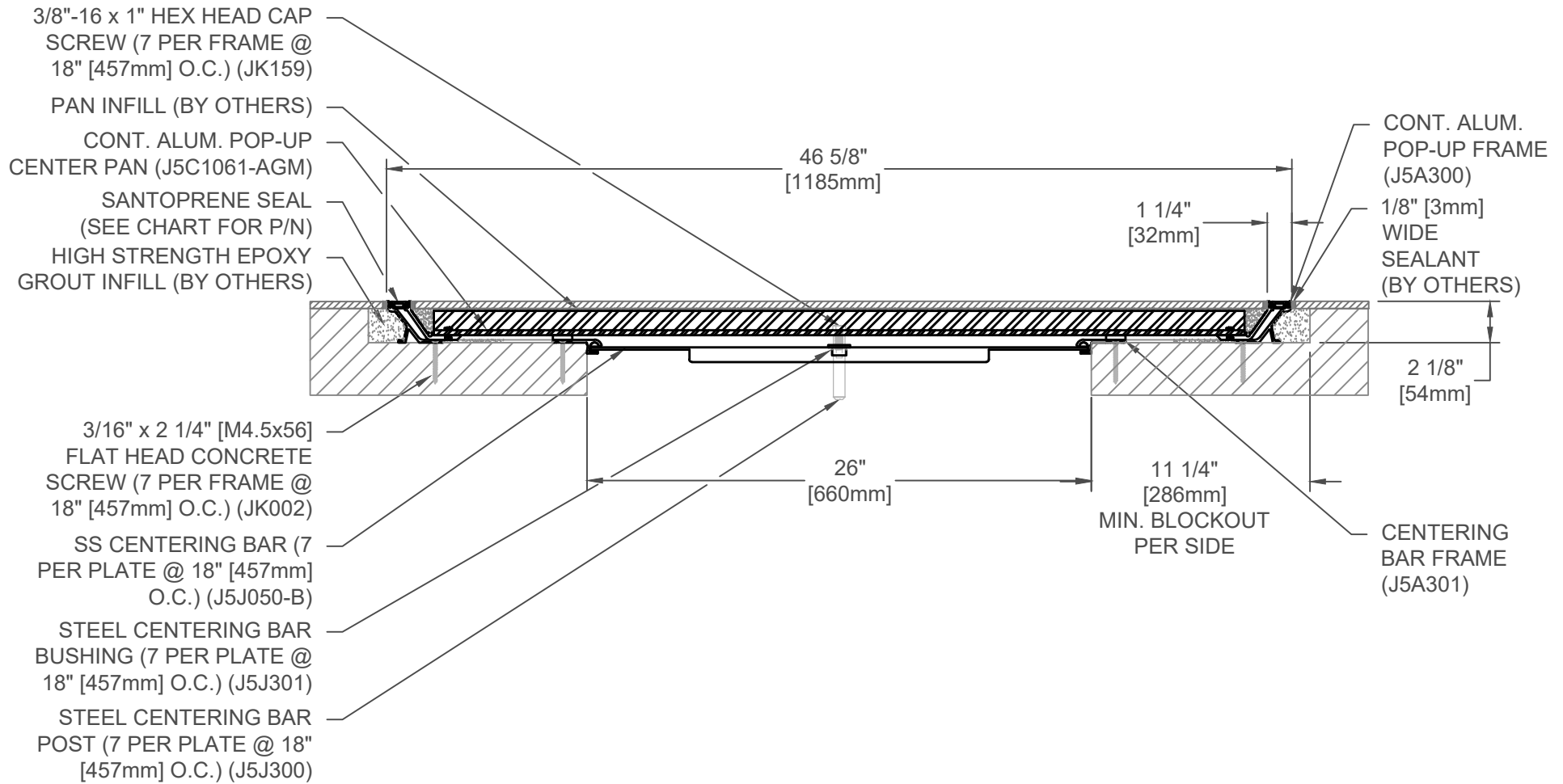
DATE: 7-31-19

SCALE: 1:8

DOC: CADJM.131/R9

inpro.

For More Information Visit: Inprocorp.com



SPECIFY SEAL COLOR:	
Black (J1D501)	
Beige (J1D502)	
Gray (J1D503)	
Off White (J1D504)	
Bright White (J1D505)	
Greige (J1D506)	

501-A01-650

JOINT WIDTH		MOVEMENT ±			
		HORIZONTAL		VERTICAL	
US	mm	US	mm	US	mm
26"	660	13"	330	2 1/8"	54

NOTE:
TO DETERMINE BLOCKOUT DEPTH,
DEDUCT THICKNESS OF FLOOR
FINISH FROM FRAME HEIGHT.

FINISH: MILL

PROJECT:

CUSTOMER:

LOCATION:

APPLICATION-
INTERIOR FLOOR/FLOOR CONDITION

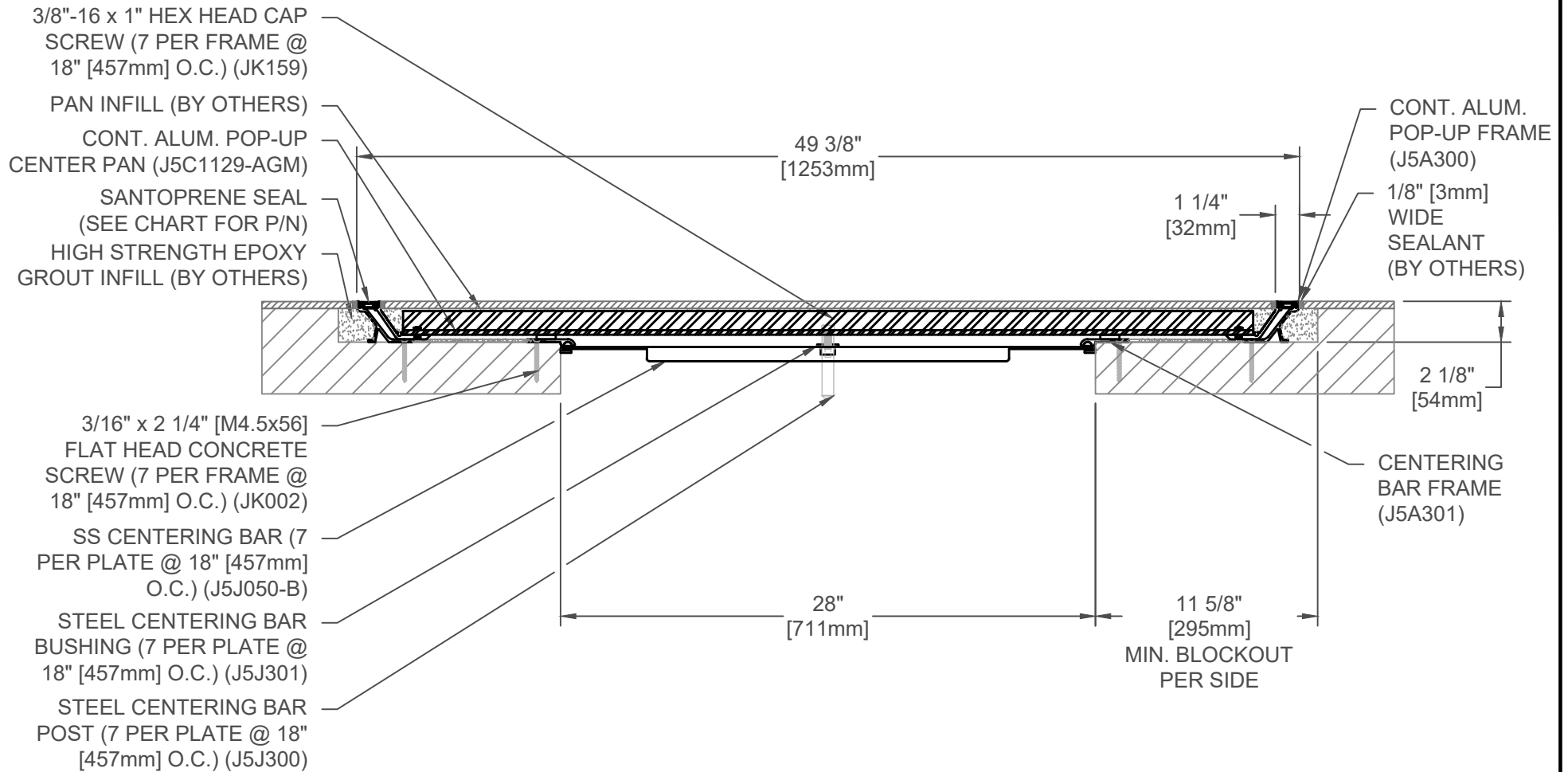
DATE: 10-21-19

SCALE: 1:8

DOC: CADJM.131/R9

inpro.

For More Information Visit: Inprocorp.com



SPECIFY SEAL COLOR:	
Black (J1D501)	
Beige (J1D502)	
Gray (J1D503)	
Off White (J1D504)	
Bright White (J1D505)	
Greige (J1D506)	

501-A01-700

JOINT WIDTH		MOVEMENT ±			
		HORIZONTAL		VERTICAL	
US	mm	US	mm	US	mm
28"	711	14"	356	2 1/8"	54

NOTE:
TO DETERMINE BLOCKOUT DEPTH,
DEDUCT THICKNESS OF FLOOR
FINISH FROM FRAME HEIGHT.

FINISH: MILL
PROJECT:
CUSTOMER:
LOCATION:

APPLICATION-
INTERIOR FLOOR/FLOOR CONDITION

DATE: 8/22/17
SCALE: 1:8
DOC: CADJM.131/R9

inpro.

For More Information Visit: Inprocorp.com