

501-A02-050

JOINT WIDTH		MOVEMENT ±			
		HORIZONTAL		VERTICAL	
US	mm	US	mm	US	mm
2"	51	1/2"	13	2 1/8"	54

SPECIFY SEAL COLOR:	
Black (J1D501)	
Beige (J1D502)	
Gray (J1D503)	
Off White (J1D504)	
Bright White (J1D505)	
Greige (J1D506)	

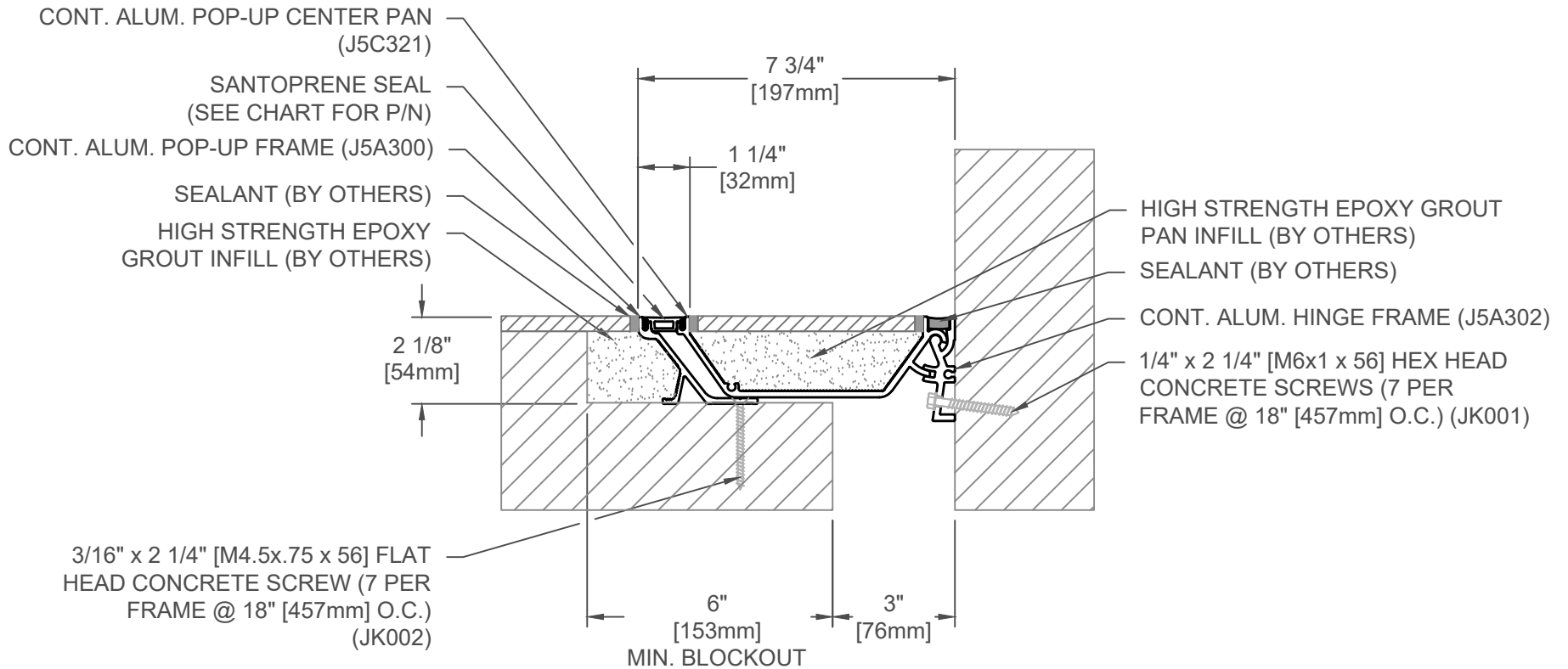
FINISH: MILL
PROJECT:
CUSTOMER:
LOCATION:

APPLICATION-
RECESSED FLOOR/WALL CONDITION

DATE:	2/1/18
SCALE:	1:4
DOC:	CADJM.132/R9

inpro.

For More Information Visit: Inprocorp.com



501-A02-075

JOINT WIDTH		MOVEMENT ±			
		HORIZONTAL		VERTICAL	
US	mm	US	mm	US	mm
3"	76	3/4"	19	2 1/8"	54

SPECIFY SEAL COLOR:	
Black (J1D501)	
Beige (J1D502)	
Gray (J1D503)	
Off White (J1D504)	
Bright White (J1D505)	
Greige (J1D506)	

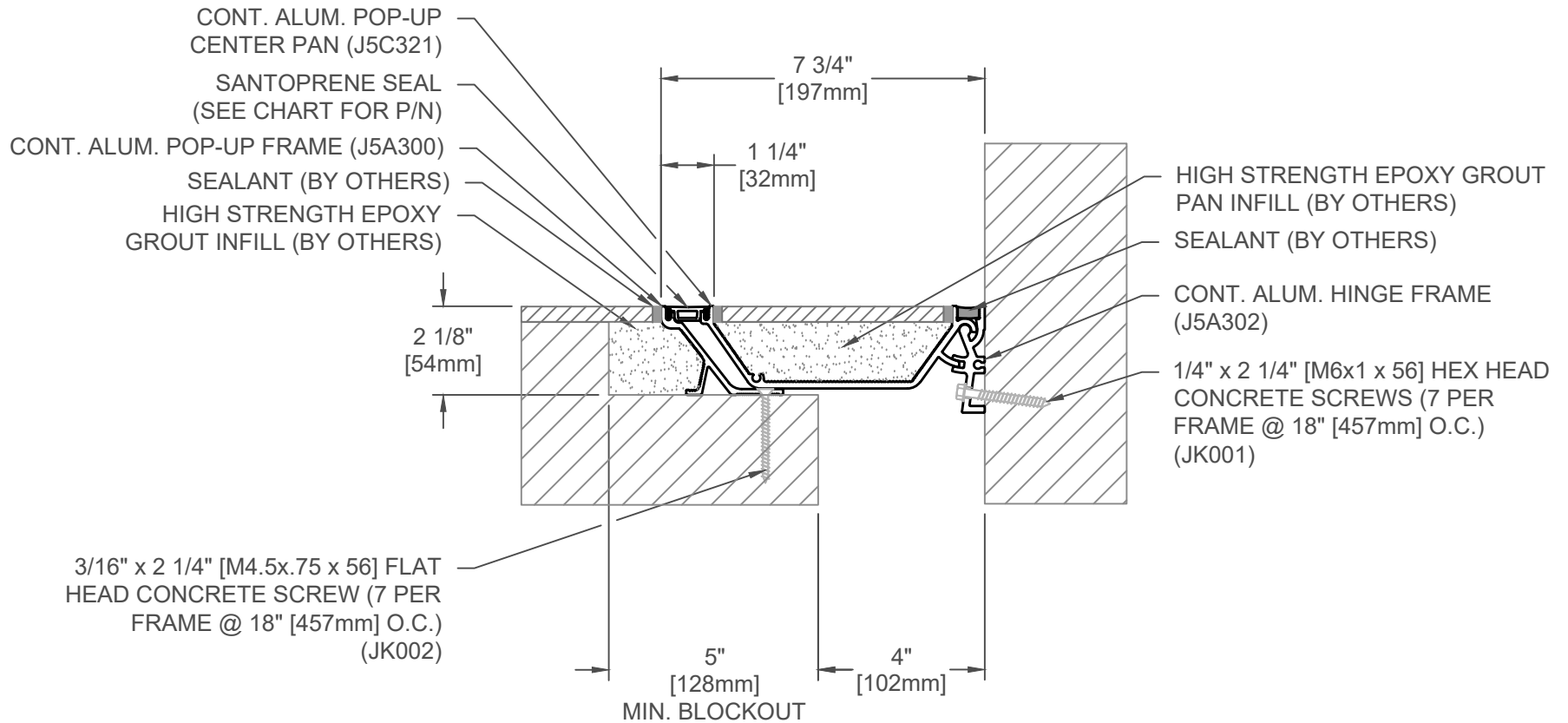
FINISH: MILL
PROJECT:
CUSTOMER:
LOCATION:

APPLICATION-
RECESSED FLOOR/WALL CONDITION

DATE:	8/22/17
SCALE:	1:4
DOC:	CADJM.132/R9

inpro.

For More Information Visit: Inprocorp.com



SPECIFY SEAL COLOR:	
Black (J1D501)	
Beige (J1D502)	
Gray (J1D503)	
Off White (J1D504)	
Bright White (J1D505)	
Greige (J1D506)	

501-A02-100

JOINT WIDTH		MOVEMENT ±			
		HORIZONTAL		VERTICAL	
US	mm	US	mm	US	mm
4"	102	1"	25	2 1/8"	54

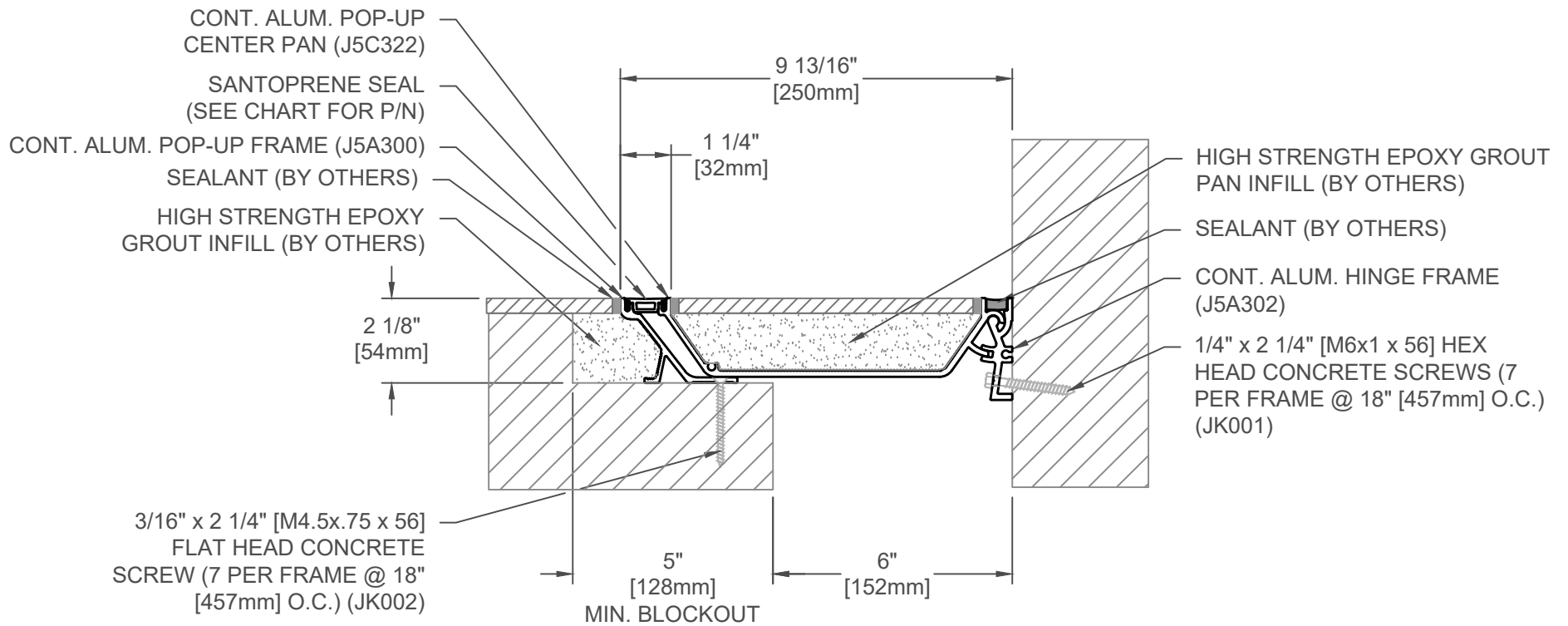
FINISH: MILL
PROJECT:
CUSTOMER:
LOCATION:

APPLICATION-
RECESSED FLOOR/WALL CONDITION

DATE:	8/22/17
SCALE:	1:4
DOC:	CADJM.132/R9

inpro.

For More Information Visit: Inprocorp.com



501-A02-150

SPECIFY SEAL COLOR:	
Black (J1D501)	
Beige (J1D502)	
Gray (J1D503)	
Off White (J1D504)	
Bright White (J1D505)	
Greige (J1D506)	

JOINT WIDTH		MOVEMENT ±			
		HORIZONTAL		VERTICAL	
US	mm	US	mm	US	mm
6"	152	1 1/2"	38	2 1/8"	54

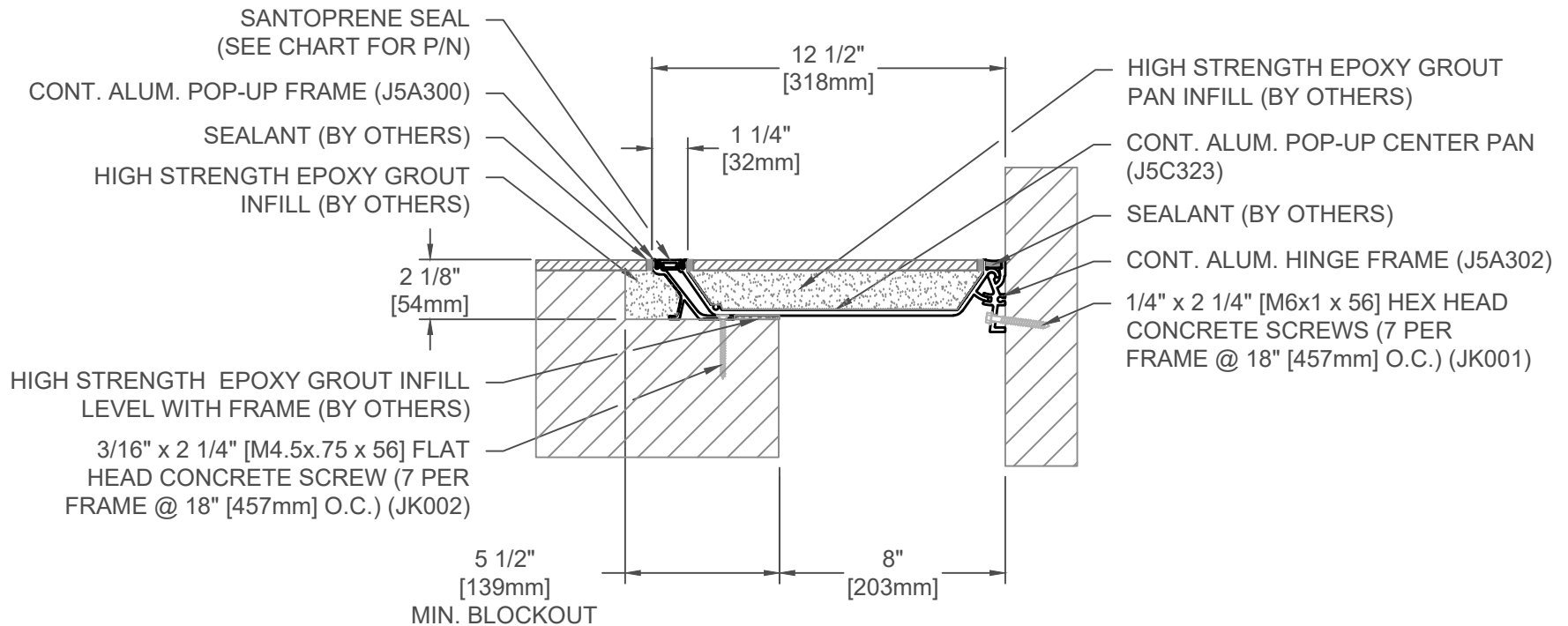
APPLICATION-
RECESSED FLOOR/WALL CONDITION

FINISH: MILL
PROJECT:
CUSTOMER:
LOCATION:

DATE:	8/22/17
SCALE:	1:4
DOC:	CADJM.132/R9

inpro.

For More Information Visit: Inprocorp.com



501-A02-200

JOINT WIDTH		MOVEMENT ±			
		HORIZONTAL		VERTICAL	
US	mm	US	mm	US	mm
8"	203	2"	50	2 1/8"	54

SPECIFY SEAL COLOR:	
Black (J1D501)	
Beige (J1D502)	
Gray (J1D503)	
Off White (J1D504)	
Bright White (J1D505)	
Greige (J1D506)	

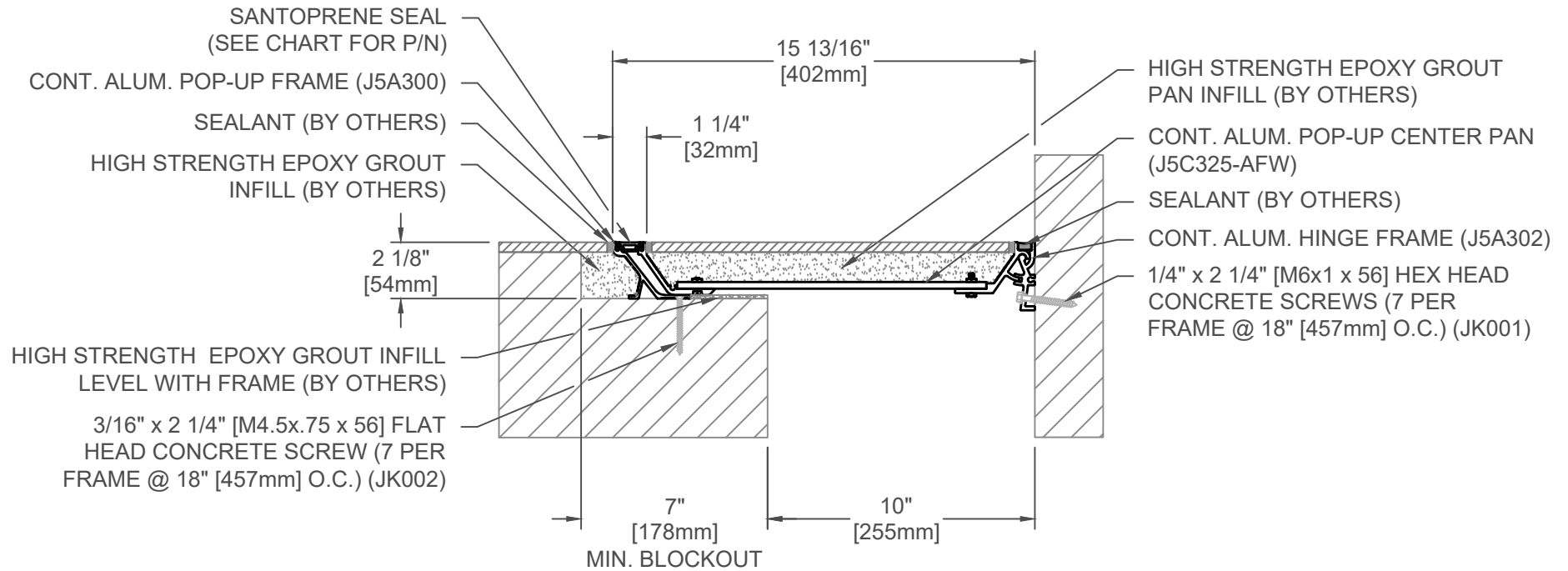
FINISH: MILL
PROJECT:
CUSTOMER:
LOCATION:

APPLICATION-
RECESSED FLOOR/WALL CONDITION

DATE:	8/22/17
SCALE:	1:6
DOC:	CADJM.132/R9

inpro.

For More Information Visit: Inprocorp.com



501-A02-250

JOINT WIDTH		MOVEMENT ±			
		HORIZONTAL		VERTICAL	
US	mm	US	mm	US	mm
10"	255	2 1/2"	63	2 1/8"	54

SPECIFY SEAL COLOR:	
Black (J1D501)	
Beige (J1D502)	
Gray (J1D503)	
Off White (J1D504)	
Bright White (J1D505)	
Greige (J1D506)	

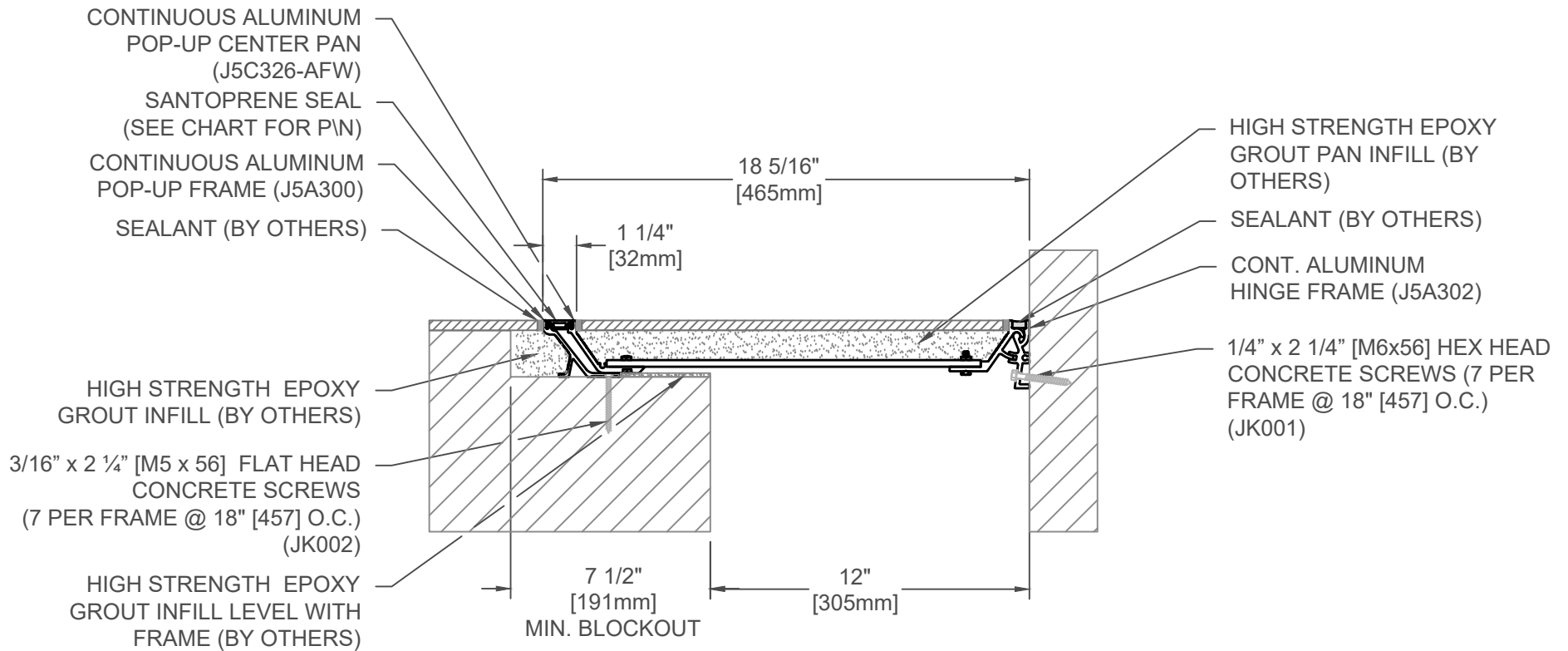
FINISH: MILL
PROJECT:
CUSTOMER:
LOCATION:

APPLICATION-
RECESSED FLOOR/WALL CONDITION

DATE:	8/22/17
SCALE:	1:6
DOC:	CADJM.132/R9

inpro.

For More Information Visit: Inprocorp.com



SPECIFY SEAL COLOR:	
Black (J1D501)	
Beige (J1D502)	
Gray (J1D503)	
Off White (J1D504)	
Bright White (J1D505)	
Greige (J1D506)	

501-A02-300

JOINT WIDTH		MOVEMENT ±			
		HORIZONTAL		VERTICAL	
US	mm	US	mm	US	mm
12"	305	3"	75	2 1/8"	54

FINISH: MILL
PROJECT:
CUSTOMER:
LOCATION:

APPLICATION-
RECESSED FLOOR/WALL CONDITION

DATE:	8/22/17
SCALE:	1:6
DOC:	CADJM.132/R9



For More Information Visit: Inprocorp.com

CONT. ALUM. POP-UP
CENTER PAN
(J5C435-AFW)

SANTOPRENE SEAL
(SEE CHART FOR P/N)

CONT. ALUM. POP-UP
FRAME (J5A300)

SEALANT (BY OTHERS)

2 1/8"
[54mm]

21 3/8"
[543mm]

1 1/4"
[32mm]

HIGH STRENGTH EPOXY
GROUT PAN INFILL (BY
OTHERS)

SEALANT (BY OTHERS)

CONT. ALUM. HINGE
FRAME (J5A302)

HIGH STRENGTH
EPOXY GROUT INFILL
(BY OTHERS)

8 1/2"
[216mm]
MIN. BLOCKOUT

14"
[356mm]

1/4" x 2 1/4" [M6 x 56]
HEX HEAD
CONCRETE SCREWS
(7 PER FRAME @ 18"
[457mm] O.C.) (JK001)

3/16" x 2 1/4" [M4.5x.75 x 56]
FLAT HEAD CONCRETE
SCREW (7 PER FRAME @
18" [457mm] O.C.) (JK002)

SPECIFY SEAL COLOR:	
Black (J1D501)	
Beige (J1D502)	
Gray (J1D503)	
Off White (J1D504)	
Bright White (J1D505)	
Greige (J1D506)	

501-A02-350

JOINT WIDTH		MOVEMENT ±			
		HORIZONTAL		VERTICAL	
US	mm	US	mm	US	mm
14"	356	3 1/2"	89	2 1/8"	54

FINISH: MILL

PROJECT:

CUSTOMER:

LOCATION:

APPLICATION-
RECESSED FLOOR/WALL CONDITION

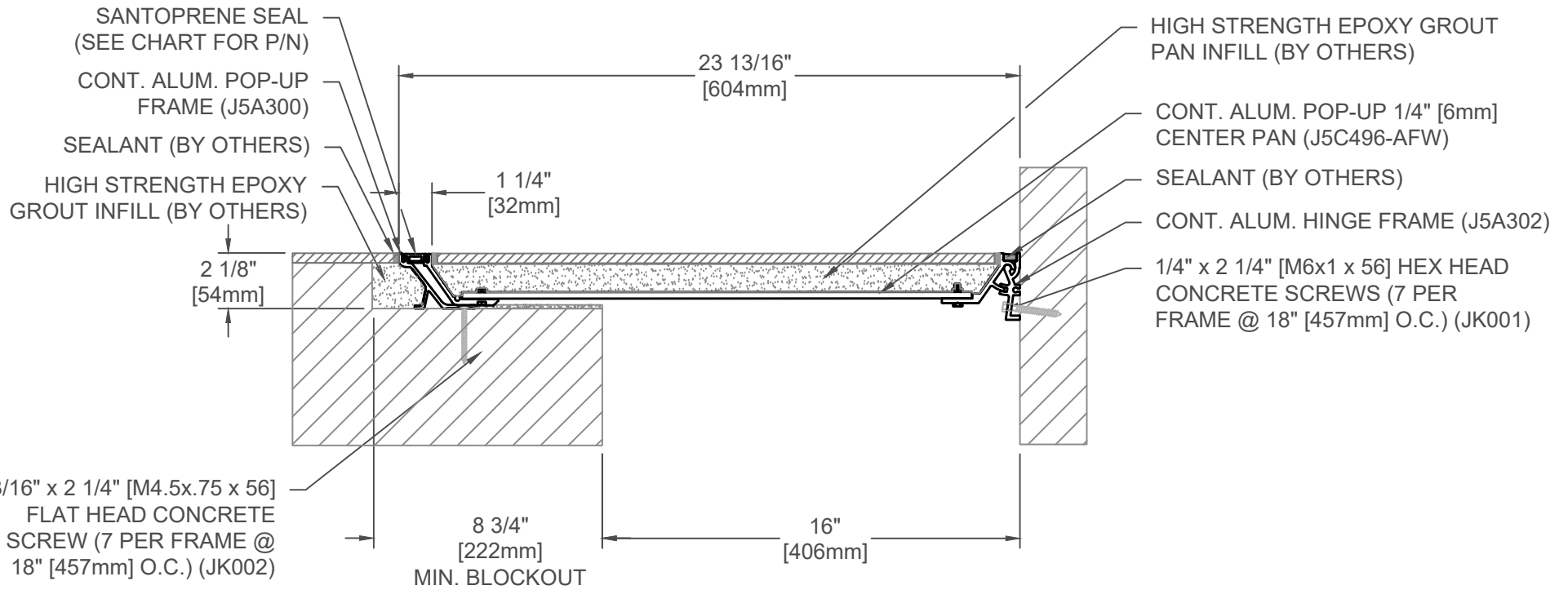
DATE: 10-21-19

SCALE: 1:4

DOC: CADJM.132/R9

inpro.

For More Information Visit: Inprocorp.com



501-A02-400

JOINT WIDTH		MOVEMENT ±			
		HORIZONTAL		VERTICAL	
US	mm	US	mm	US	mm
16"	400	4"	100	2 1/8"	54

SPECIFY SEAL COLOR:	
Black (J1D501)	
Beige (J1D502)	
Gray (J1D503)	
Off White (J1D504)	
Bright White (J1D505)	
Greige (J1D506)	

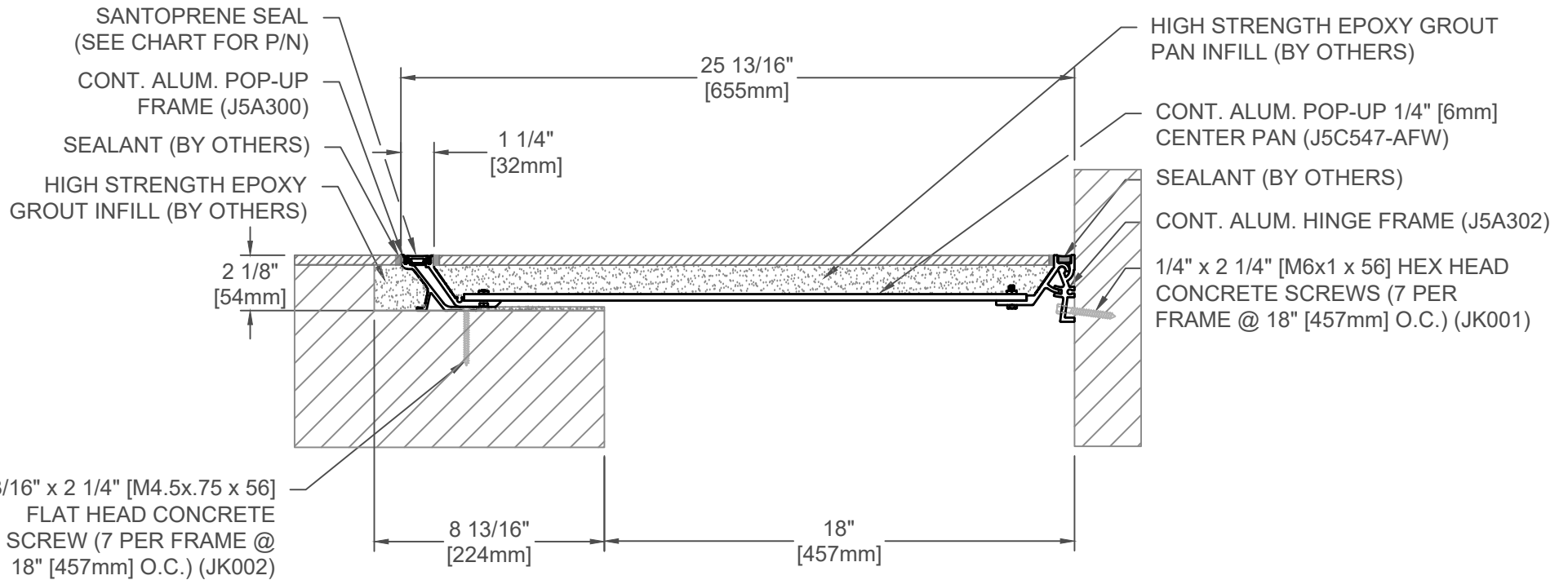
FINISH: MILL
PROJECT:
CUSTOMER:
LOCATION:

APPLICATION-
RECESSED FLOOR/WALL CONDITION

DATE:	2-26-19
SCALE:	1:6
DOC:	CADJM.132/R9

inpro.

For More Information Visit: Inprocorp.com



SPECIFY SEAL COLOR:	
Black (J1D501)	
Beige (J1D502)	
Gray (J1D503)	
Off White (J1D504)	
Bright White (J1D505)	
Greige (J1D506)	

501-A02-450

JOINT WIDTH		MOVEMENT ±			
		HORIZONTAL		VERTICAL	
US	mm	US	mm	US	mm
18"	457	4 1/2"	114	2 1/8"	54

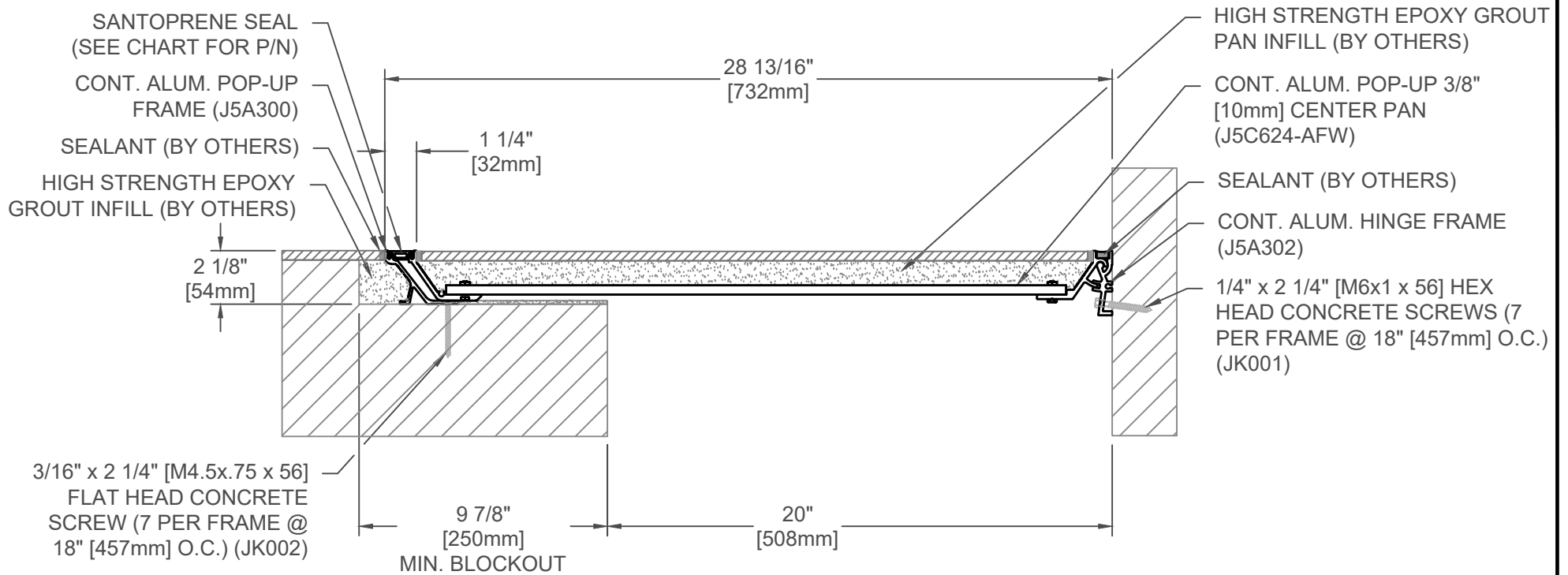
FINISH: MILL
PROJECT:
CUSTOMER:
LOCATION:

APPLICATION-
RECESSED FLOOR/WALL CONDITION

DATE: 2-26-19
SCALE: 1:6
DOC: CADJM.132/R9

inpro.

For More Information Visit: Inprocorp.com



3/16" x 2 1/4" [M4.5x.75 x 56]
FLAT HEAD CONCRETE
SCREW (7 PER FRAME @
18" [457mm] O.C.) (JK002)

SPECIFY SEAL COLOR:	
Black (J1D501)	
Beige (J1D502)	
Gray (J1D503)	
Off White (J1D504)	
Bright White (J1D505)	
Greige (J1D506)	

501-A02-500

JOINT WIDTH		MOVEMENT ±			
		HORIZONTAL		VERTICAL	
US	mm	US	mm	US	mm
20"	508	5"	127	2 1/8"	54

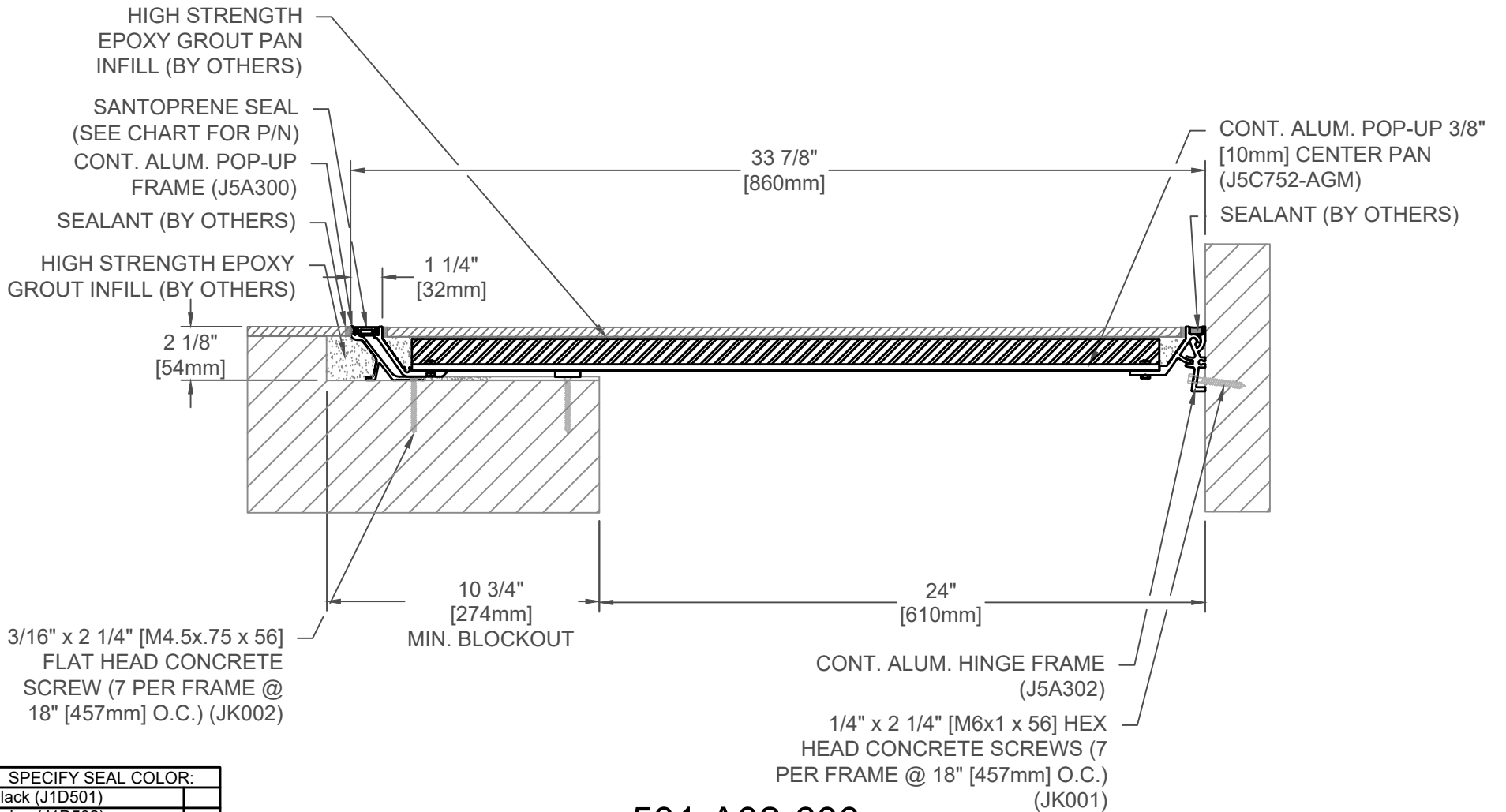
FINISH: MILL
PROJECT:
CUSTOMER:
LOCATION:

APPLICATION-
RECESSED FLOOR/WALL CONDITION

DATE:	10-21-19
SCALE:	1:6
DOC:	CADJM.132/R9

inpro.

For More Information Visit: Inprocorp.com



501-A02-600

JOINT WIDTH		MOVEMENT ±			
		HORIZONTAL		VERTICAL	
US	mm	US	mm	US	mm
24"	610	6"	152	2 1/8"	54

NOTE:
TO DETERMINE BLOCKOUT DEPTH,
DEDUCT THICKNESS OF FLOOR
FINISH FROM FRAME HEIGHT.

SPECIFY SEAL COLOR:	
Black (J1D501)	
Beige (J1D502)	
Gray (J1D503)	
Off White (J1D504)	
Bright White (J1D505)	
Greige (J1D506)	

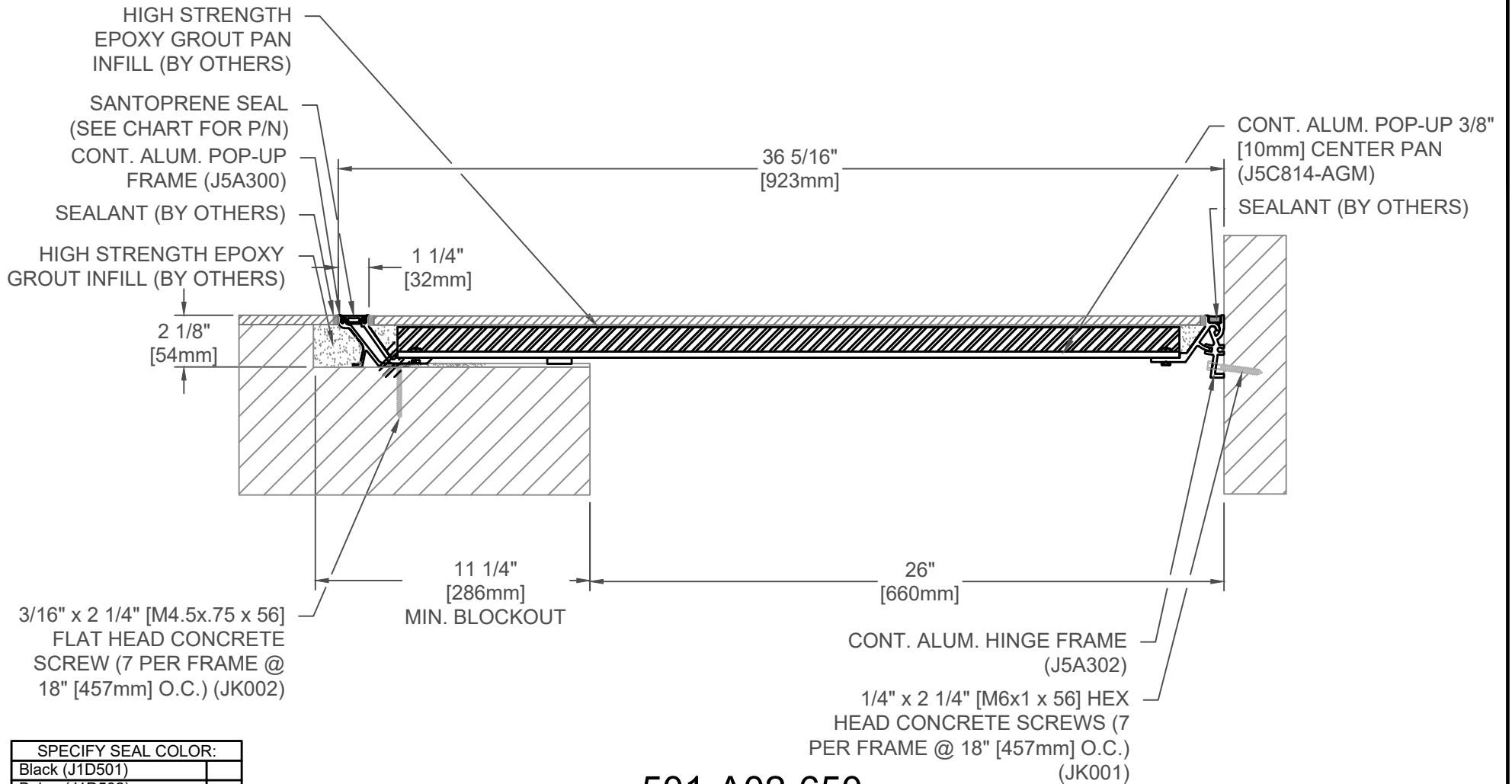
FINISH: MILL
PROJECT:
CUSTOMER:
LOCATION:

APPLICATION-
RECESSED FLOOR/WALL CONDITION

DATE: 4-16-21
SCALE: 1:6
DOC: CADJM.132/R8

inpro.

For More Information Visit: Inprocorp.com



501-A02-650

JOINT WIDTH		MOVEMENT ±			
		HORIZONTAL		VERTICAL	
US	mm	US	mm	US	mm
26"	660	6 1/2"	165	2 1/8"	54

SPECIFY SEAL COLOR:	
Black (J1D501)	
Beige (J1D502)	
Gray (J1D503)	
Off White (J1D504)	
Bright White (J1D505)	
Greige (J1D506)	

FINISH: MILL
PROJECT:
CUSTOMER:
LOCATION:

APPLICATION-
RECESSED FLOOR/WALL CONDITION

DATE:	10-21-19
SCALE:	1:6
DOC:	CADJM.132/R8



For More Information Visit: Inprocorp.com