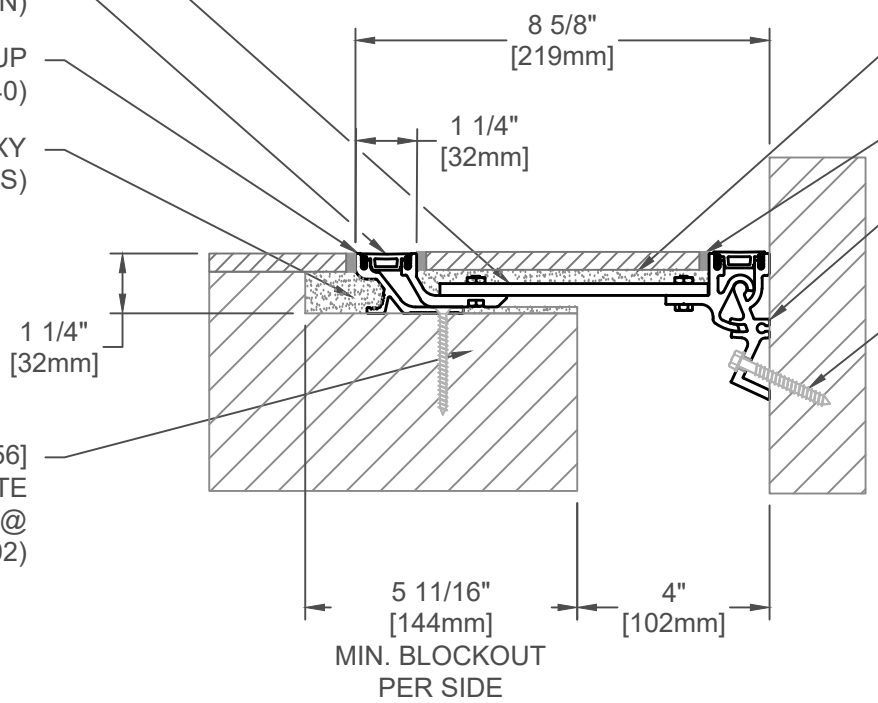


CONT. ALUM. POP-UP CENTER PAN
(J5C0142-06-AHMR)

SANTOPRENE SEAL
(SEE CHART FOR P/N)

CONT. ALUM. POP-UP
FRAME (J5A340)

HIGH STRENGTH EPOXY
GROUT INFILL (BY OTHERS)



5/8" [16mm] PAN DEPTH
PAN INFILL (BY OTHERS)

SEALANT (BY OTHERS)

CONT. ALUM. HINGE
FRAME (J5A342)

1/4" x 2 1/4" [M6x1 x 56] HEX HEAD
CONCRETE SCREWS (7 PER
FRAME @ 18" [457mm] O.C.)
(JK001)

3/16" x 2 1/4" [M4.5x56]
FLAT HEAD CONCRETE
SCREW (7 PER FRAME @
18" [457mm] O.C.) (JK002)

5 11/16" [144mm] 4" [102mm]
MIN. BLOCKOUT
PER SIDE

SPECIFY SEAL COLOR:	
Black (J1D501)	
Beige (J1D502)	
Gray (J1D503)	
Off White (J1D504)	
Bright White (J1D505)	
Greige (J1D506)	

501R-A02-100 M50

JOINT WIDTH		MOVEMENT ±			
		HORIZONTAL		VERTICAL	
US	mm	US	mm	US	mm
4"	101	2"	50	1 1/4"	32

NOTE:
TO DETERMINE BLOCKOUT DEPTH,
DEDUCT THICKNESS OF FLOOR
FINISH FROM FRAME HEIGHT.

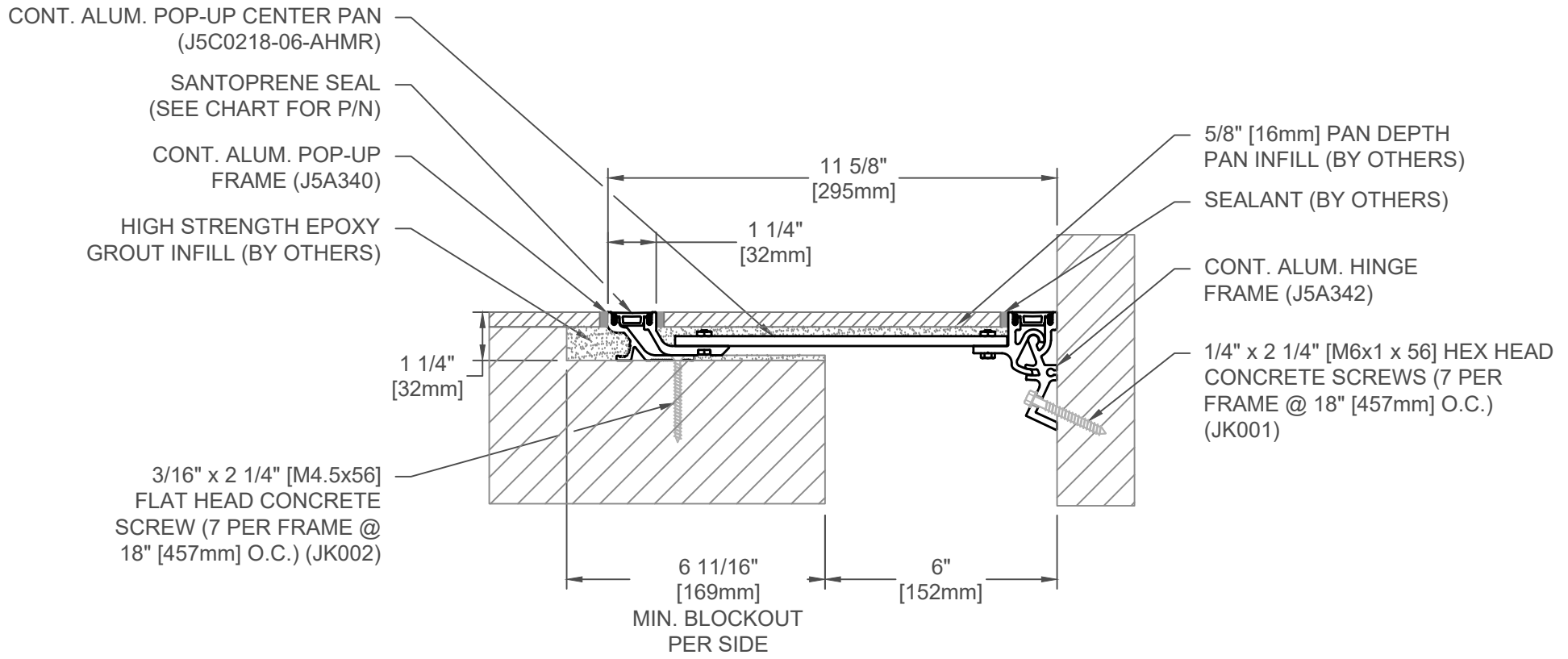
FINISH: MILL
PROJECT:
CUSTOMER:
LOCATION:

APPLICATION-
POP-UP PAN SYSTEM,
INTERIOR FLOOR/FLOOR & FLOOR/WALL
CONDITION

DATE:	9-30-22
SCALE:	1:4
DOC:	CADJM.245/R2



For More Information Visit: Inprocorp.com



SPECIFY SEAL COLOR:	
Black (J1D501)	
Beige (J1D502)	
Gray (J1D503)	
Off White (J1D504)	
Bright White (J1D505)	
Greige (J1D506)	

501R-A02-150 M50

JOINT WIDTH		MOVEMENT ±			
		HORIZONTAL		VERTICAL	
US	mm	US	mm	US	mm
6"	152	3"	75	1 1/4"	32

NOTE:
TO DETERMINE BLOCKOUT DEPTH,
DEDUCT THICKNESS OF FLOOR
FINISH FROM FRAME HEIGHT.

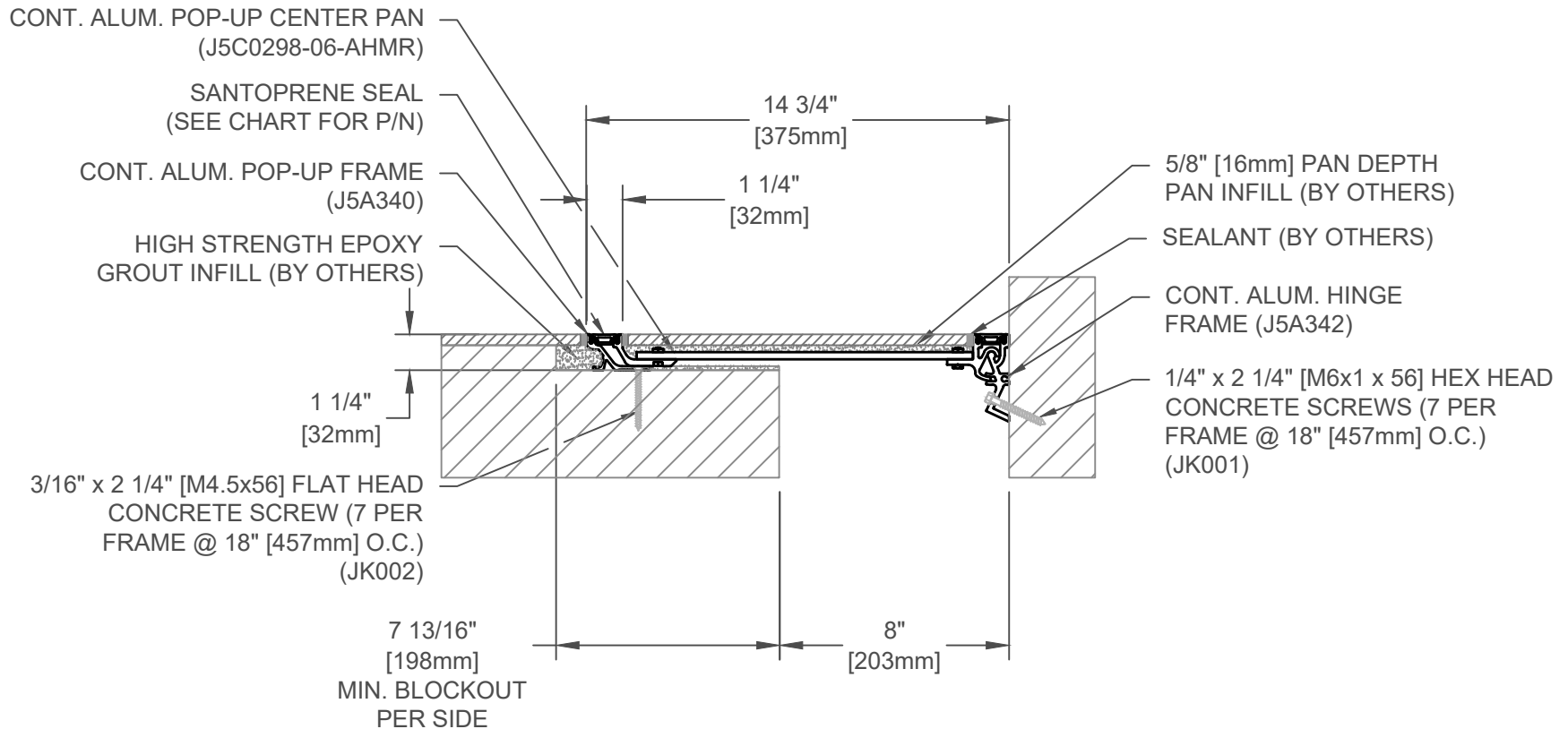
FINISH: MILL
PROJECT:
CUSTOMER:
LOCATION:

APPLICATION-
POP-UP PAN SYSTEM,
INTERIOR FLOOR/FLOOR & FLOOR/WALL
CONDITION

DATE:	9-30-22
SCALE:	1:4
DOC:	CADJM.245/R2

inpro.

For More Information Visit: Inprocorp.com



SPECIFY SEAL COLOR:	
Black (J1D501)	
Beige (J1D502)	
Gray (J1D503)	
Off White (J1D504)	
Bright White (J1D505)	
Greige (J1D506)	

FINISH: MILL
PROJECT:
CUSTOMER:
LOCATION:

501R-A02-200 M50

JOINT WIDTH		MOVEMENT ±			
		HORIZONTAL		VERTICAL	
US	mm	US	mm	US	mm
8"	203	4	102	1 1/4"	32

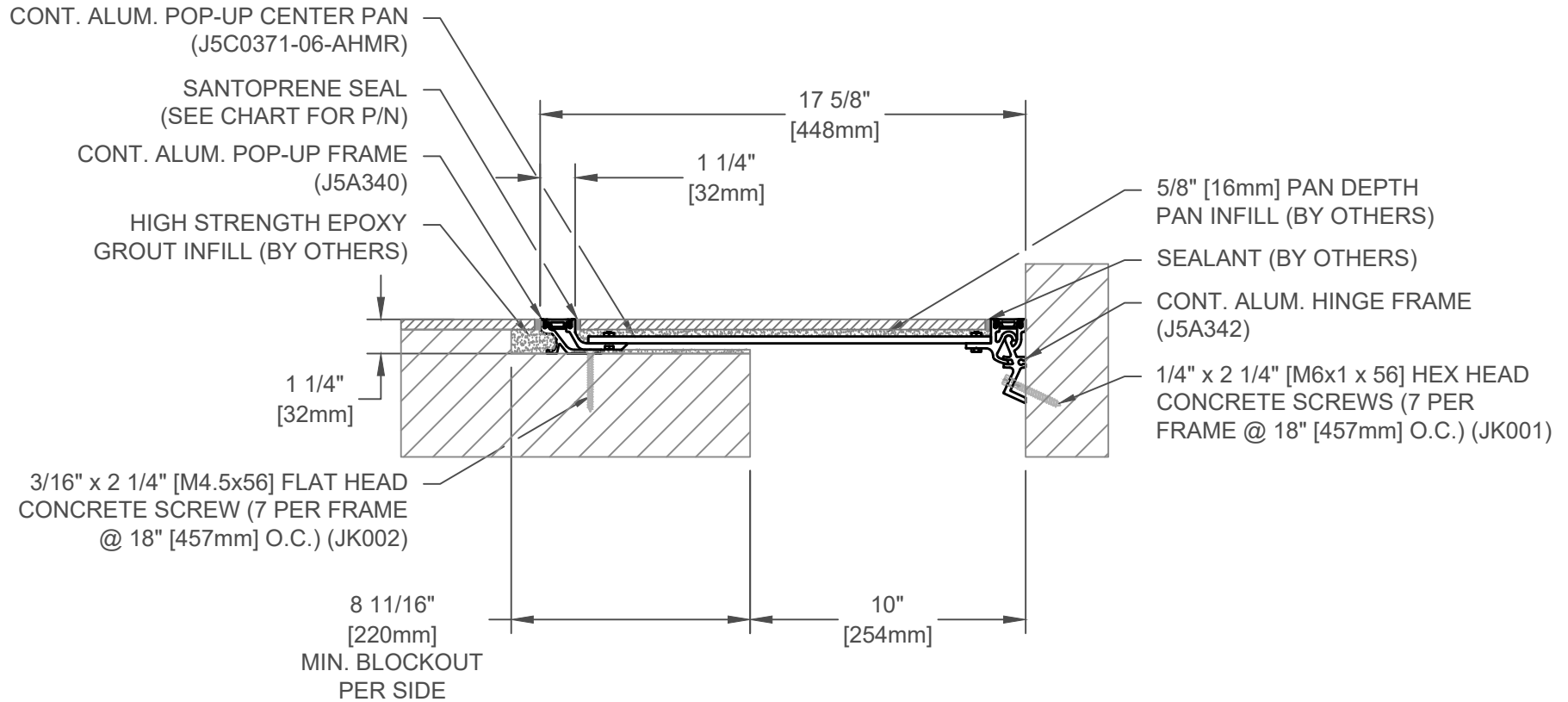
NOTE:
TO DETERMINE BLOCKOUT DEPTH,
DEDUCT THICKNESS OF FLOOR
FINISH FROM FRAME HEIGHT.

APPLICATION-
POP-UP PAN SYSTEM,
INTERIOR FLOOR/FLOOR & FLOOR/WALL
CONDITION

DATE:	9-30-22
SCALE:	1:6
DOC:	CADJM.245/R2



For More Information Visit: Inprocorp.com



SPECIFY SEAL COLOR:	
Black (J1D501)	
Beige (J1D502)	
Gray (J1D503)	
Off White (J1D504)	
Bright White (J1D505)	
Greige (J1D506)	

501R-A02-250 M50

JOINT WIDTH		MOVEMENT ±			
		HORIZONTAL		VERTICAL	
US	mm	US	mm	US	mm
10"	254	5"	127	1 1/4"	32

NOTE:
TO DETERMINE BLOCKOUT DEPTH,
DEDUCT THICKNESS OF FLOOR
FINISH FROM FRAME HEIGHT.

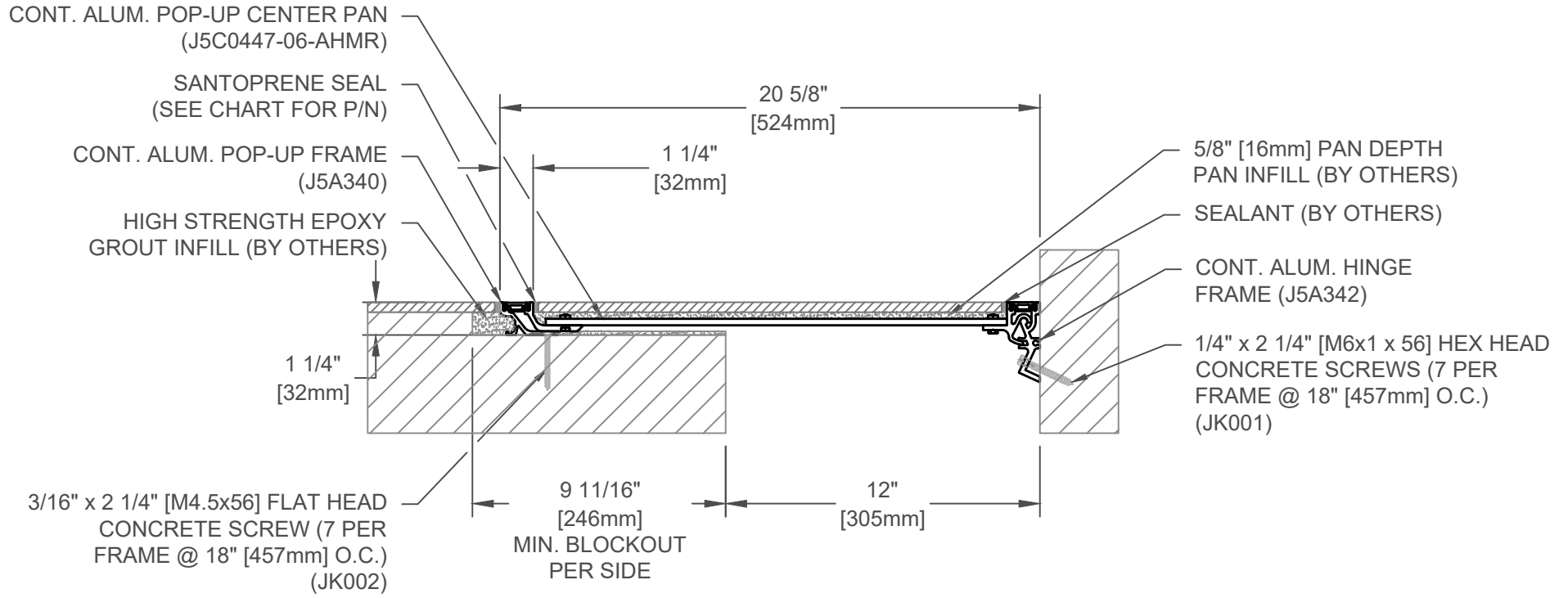
FINISH: MILL
PROJECT:
CUSTOMER:
LOCATION:

APPLICATION-
POP-UP PAN SYSTEM,
INTERIOR FLOOR/FLOOR & FLOOR/WALL
CONDITION

DATE:	9-30-22
SCALE:	1:6
DOC:	CADJM.245/R2

inpro.

For More Information Visit: Inprocorp.com



SPECIFY SEAL COLOR:	
Black (J1D501)	
Beige (J1D502)	
Gray (J1D503)	
Off White (J1D504)	
Bright White (J1D505)	
Greige (J1D506)	

501R-A02-300 M50

JOINT WIDTH		MOVEMENT ±			
		HORIZONTAL		VERTICAL	
US	mm	US	mm	US	mm
12"	305	6"	152	1 1/4"	32

NOTE:
TO DETERMINE BLOCKOUT DEPTH,
DEDUCT THICKNESS OF FLOOR
FINISH FROM FRAME HEIGHT.

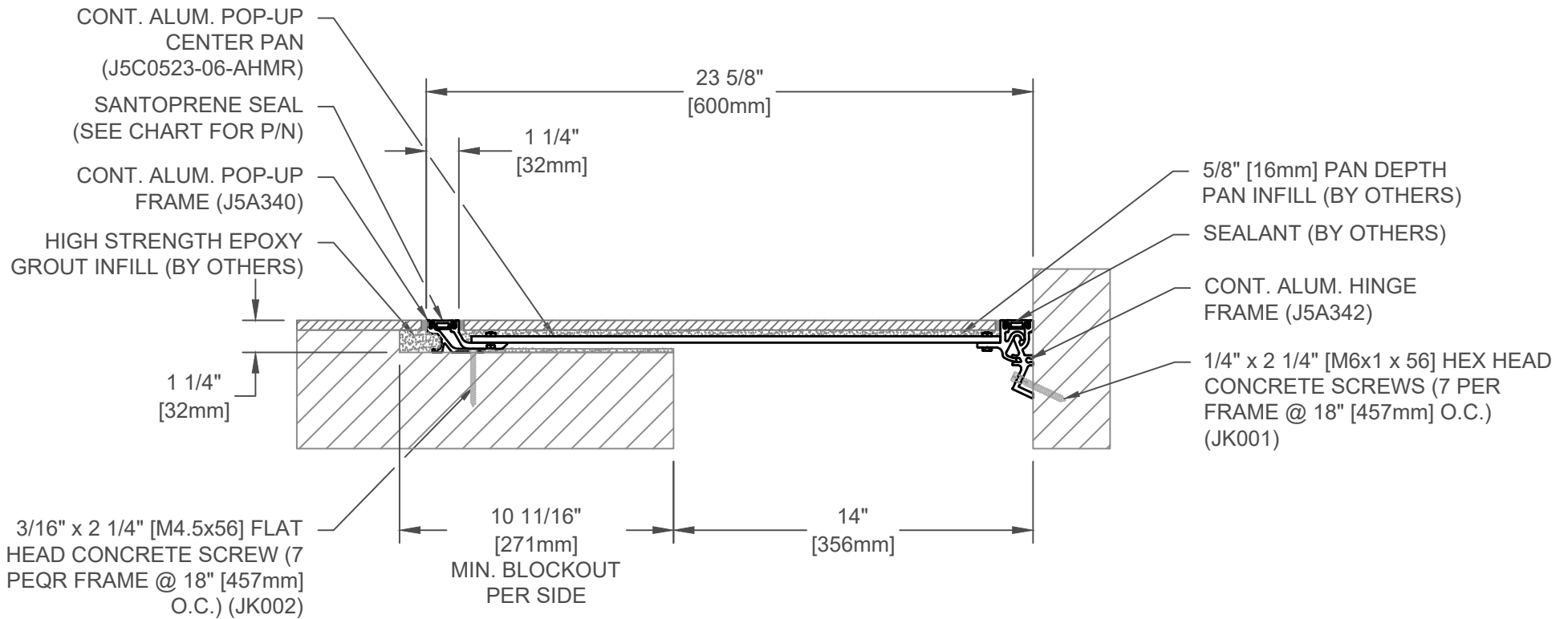
FINISH: MILL
PROJECT:
CUSTOMER:
LOCATION:

APPLICATION-
POP-UP PAN SYSTEM,
INTERIOR FLOOR/FLOOR & FLOOR/WALL
CONDITION

DATE:	9-30-22
SCALE:	1:6
DOC:	CADJM.245/R2



For More Information Visit: Inprocorp.com



SPECIFY SEAL COLOR:	
Black (J1D501)	
Beige (J1D502)	
Gray (J1D503)	
Off White (J1D504)	
Bright White (J1D505)	
Greige (J1D506)	

501R-A02-350 M50

JOINT WIDTH		MOVEMENT ±			
		HORIZONTAL		VERTICAL	
US	mm	US	mm	US	mm
14"	356	7"	178	1 1/4"	32

NOTE:
TO DETERMINE BLOCKOUT DEPTH,
DEDUCT THICKNESS OF FLOOR
FINISH FROM FRAME HEIGHT.

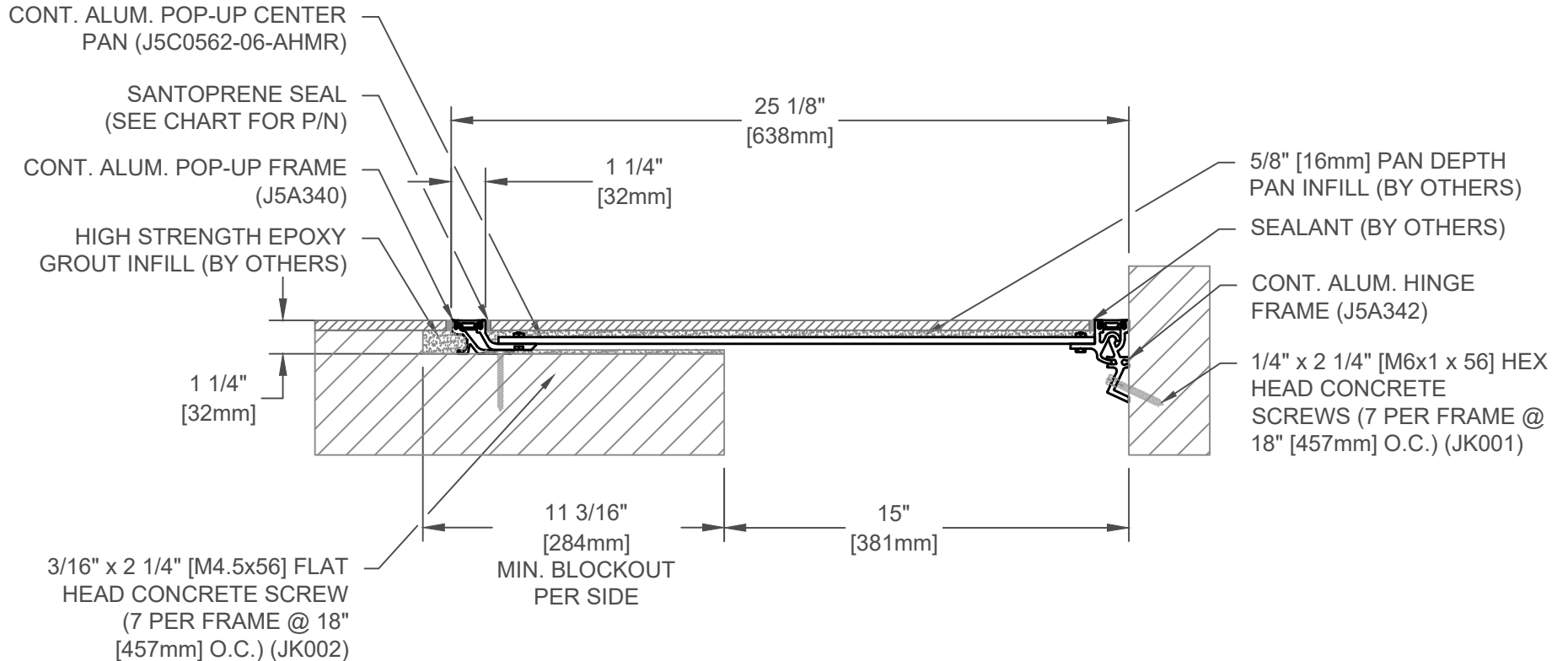
FINISH: MILL
PROJECT:
CUSTOMER:
LOCATION:

APPLICATION-
POP-UP PAN SYSTEM,
INTERIOR FLOOR/FLOOR & FLOOR/WALL
CONDITION

DATE:	9-30-22
SCALE:	1:6
DOC:	CADJM.245/R2

inpro.

For More Information Visit: Inprocorp.com



SPECIFY SEAL COLOR:	
Black (J1D501)	
Beige (J1D502)	
Gray (J1D503)	
Off White (J1D504)	
Bright White (J1D505)	
Greige (J1D506)	

501R-A02-380 M50

JOINT WIDTH		MOVEMENT ±			
		HORIZONTAL		VERTICAL	
US	mm	US	mm	US	mm
15"	381	7 1/2"	191	1 1/4"	32

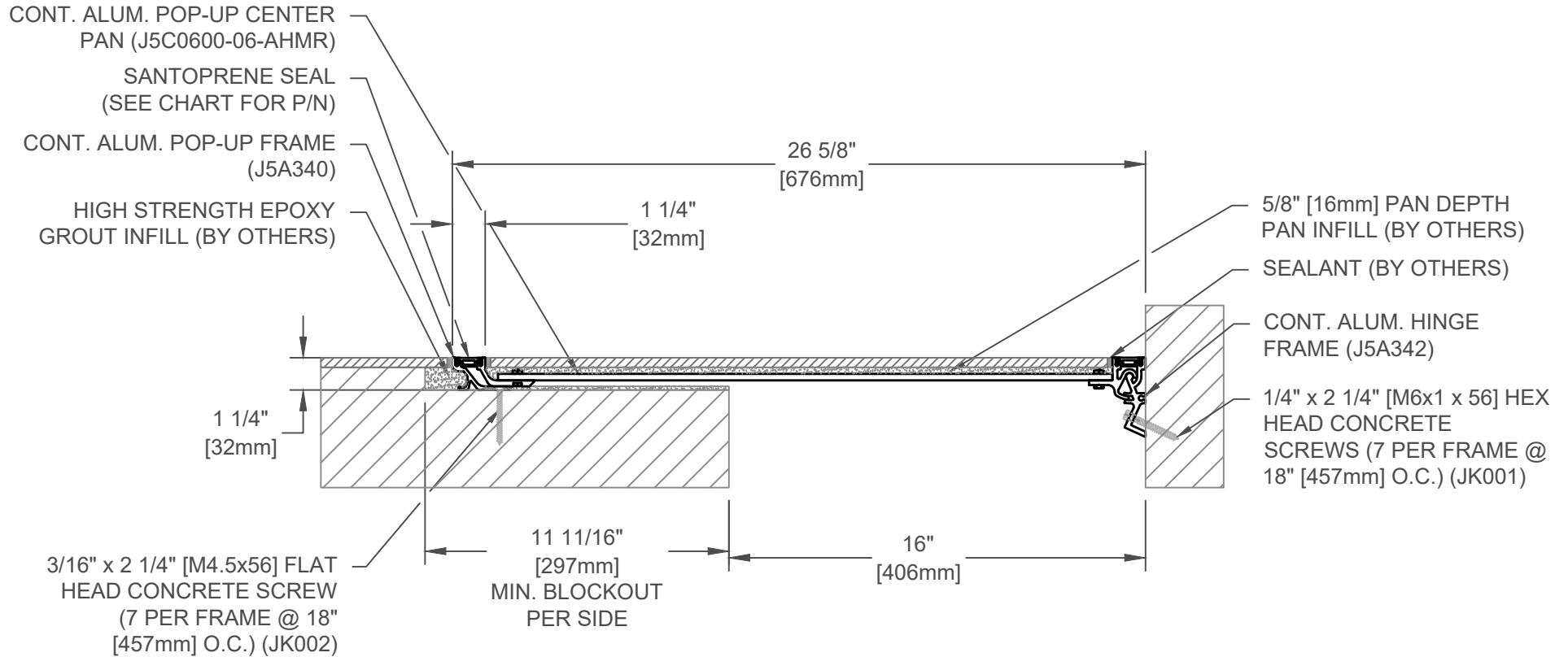
NOTE:
TO DETERMINE BLOCKOUT DEPTH,
DEDUCT THICKNESS OF FLOOR
FINISH FROM FRAME HEIGHT.

FINISH: MILL
PROJECT:
CUSTOMER:
LOCATION:

APPLICATION-
POP-UP PAN SYSTEM,
INTERIOR FLOOR/FLOOR & FLOOR/WALL
CONDITION

DATE:	9-30-22
SCALE:	1:6
DOC:	CADJM.245/R2





SPECIFY SEAL COLOR:	
Black (J1D501)	
Beige (J1D502)	
Gray (J1D503)	
Off White (J1D504)	
Bright White (J1D505)	
Greige (J1D506)	

501R-A02-400 M50

JOINT WIDTH		MOVEMENT ±			
		HORIZONTAL		VERTICAL	
US	mm	US	mm	US	mm
16"	406	8"	203	1 1/4"	32

NOTE:
TO DETERMINE BLOCKOUT DEPTH,
DEDUCT THICKNESS OF FLOOR
FINISH FROM FRAME HEIGHT.

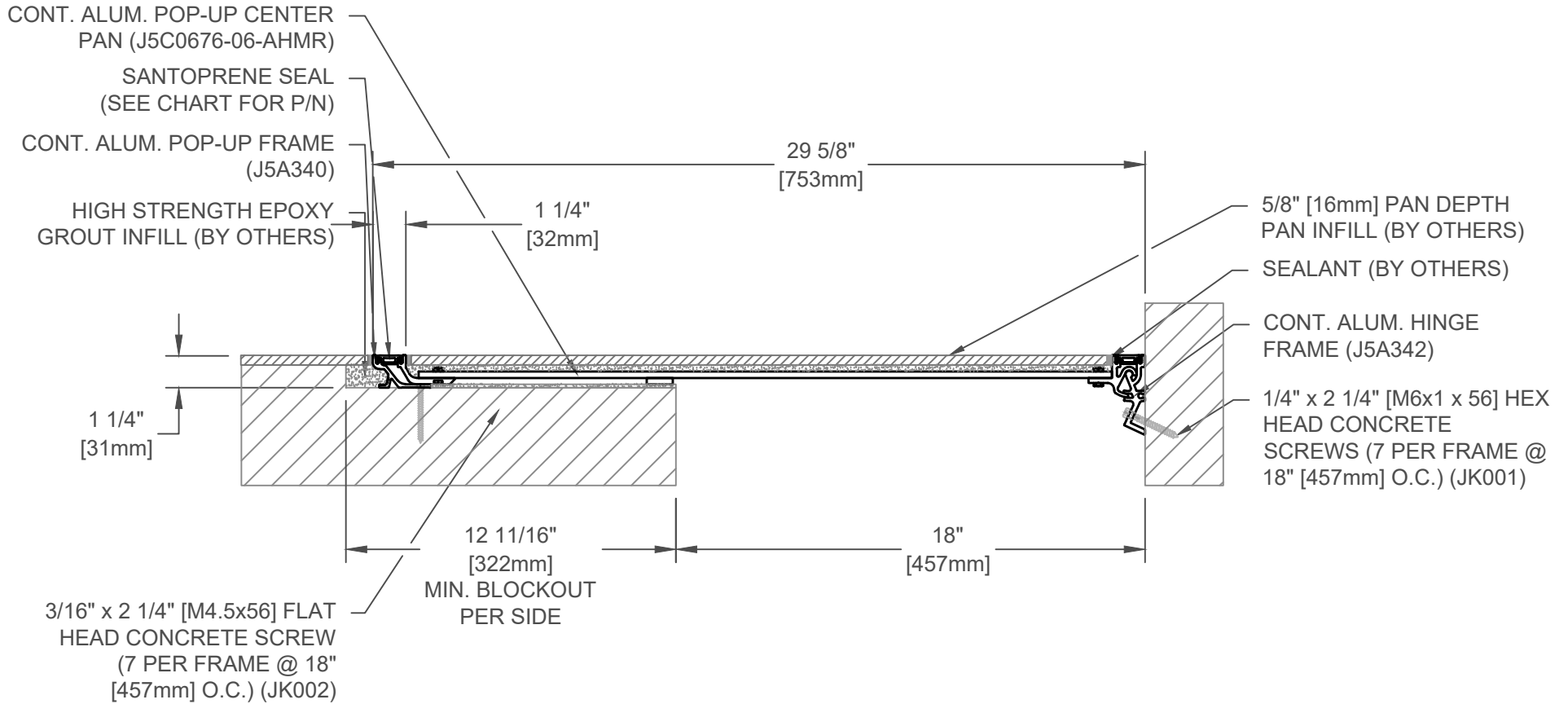
FINISH: MILL
PROJECT:
CUSTOMER:
LOCATION:

APPLICATION-
POP-UP PAN SYSTEM,
INTERIOR FLOOR/FLOOR & FLOOR/WALL
CONDITION

DATE:	9-30-22
SCALE:	1:6
DOC:	CADJM.245/R2

inpro.

For More Information Visit: Inprocorp.com



SPECIFY SEAL COLOR:	
Black (J1D501)	
Beige (J1D502)	
Gray (J1D503)	
Off White (J1D504)	
Bright White (J1D505)	
Greige (J1D506)	

501R-A02-450 M50

JOINT WIDTH		MOVEMENT ±			
		HORIZONTAL		VERTICAL	
US	mm	US	mm	US	mm
18"	457	9"	229	1 1/4"	32

NOTE:
TO DETERMINE BLOCKOUT DEPTH,
DEDUCT THICKNESS OF FLOOR
FINISH FROM FRAME HEIGHT.

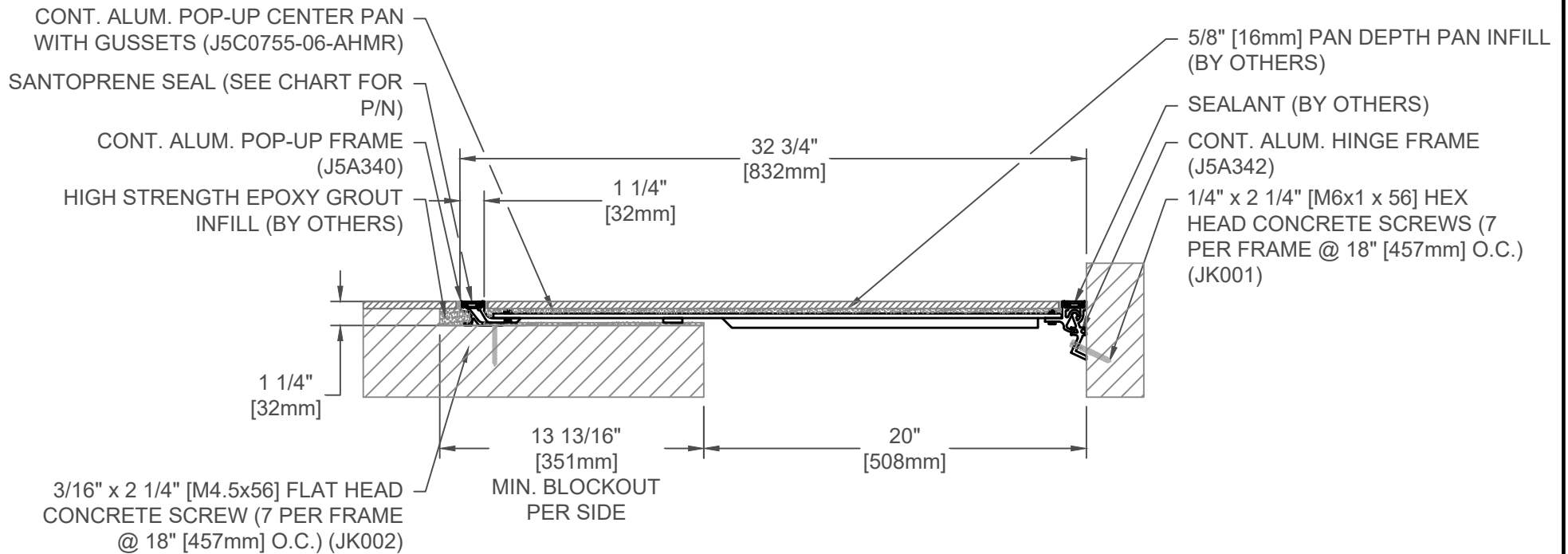
FINISH: MILL
PROJECT:
CUSTOMER:
LOCATION:

APPLICATION-
POP-UP PAN SYSTEM,
INTERIOR FLOOR/FLOOR & FLOOR/WALL
CONDITION

DATE:	9-30-22
SCALE:	1:6
DOC:	CADJM.245/R2

inpro.

For More Information Visit: Inprocorp.com



SPECIFY SEAL COLOR:	
Black (J1D501)	
Beige (J1D502)	
Gray (J1D503)	
Off White (J1D504)	
Bright White (J1D505)	
Greige (J1D506)	

501R-A02-500 M50

JOINT WIDTH		MOVEMENT ±			
		HORIZONTAL		VERTICAL	
US	mm	US	mm	US	mm
20"	508	10	254	1 1/4"	32

NOTE:
TO DETERMINE BLOCKOUT DEPTH, DEDUCT THICKNESS OF FLOOR FINISH FROM FRAME HEIGHT.

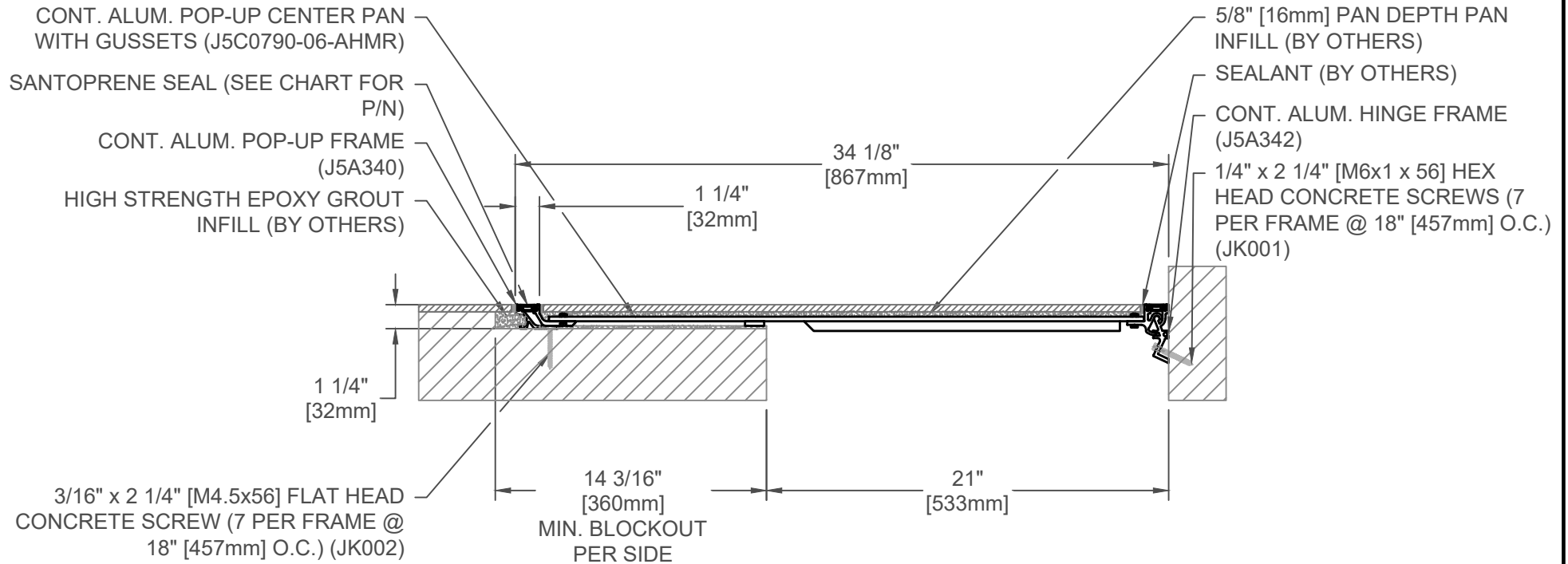
FINISH: MILL
PROJECT:
CUSTOMER:
LOCATION:

APPLICATION-
POP-UP PAN SYSTEM,
INTERIOR FLOOR/FLOOR & FLOOR/WALL
CONDITION

DATE:	9-30-22
SCALE:	1:8
DOC:	CADJM.245/R2

inpro.

For More Information Visit: Inprocorp.com



SPECIFY SEAL COLOR:	
Black (J1D501)	
Beige (J1D502)	
Gray (J1D503)	
Off White (J1D504)	
Bright White (J1D505)	
Greige (J1D506)	

501R-A02-525 M50

JOINT WIDTH		MOVEMENT ±			
		HORIZONTAL		VERTICAL	
US	mm	US	mm	US	mm
21"	533	10 1/2"	267	1 1/4"	32

NOTE:
TO DETERMINE BLOCKOUT DEPTH,
DEDUCT THICKNESS OF FLOOR FINISH
FROM FRAME HEIGHT.

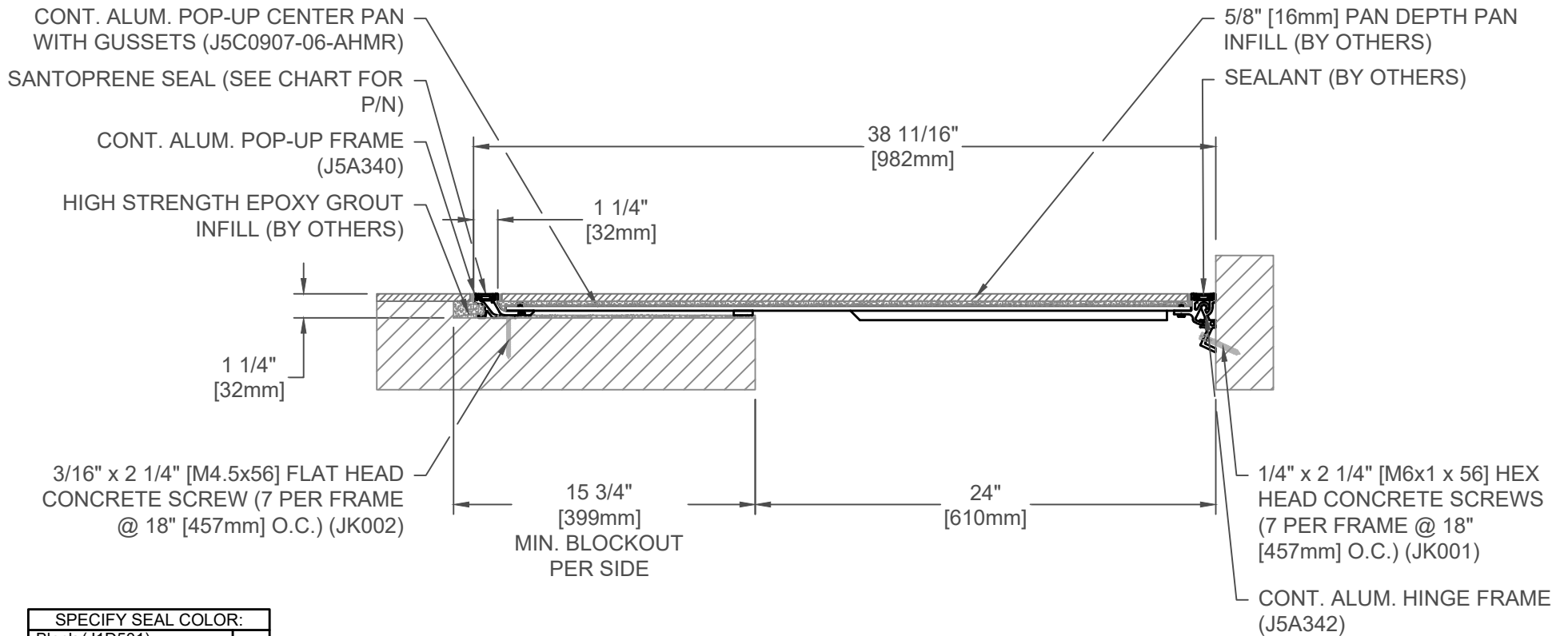
FINISH: MILL
PROJECT:
CUSTOMER:
LOCATION:

APPLICATION-
POP-UP PAN SYSTEM,
INTERIOR FLOOR/FLOOR & FLOOR/WALL
CONDITION

DATE:	9-30-22
SCALE:	1:8
DOC:	CADJM.245/R2

inpro.

For More Information Visit: Inprocorp.com



501R-A02-600 M50

SPECIFY SEAL COLOR:	
Black (J1D501)	
Beige (J1D502)	
Gray (J1D503)	
Off White (J1D504)	
Bright White (J1D505)	
Greige (J1D506)	

JOINT WIDTH		MOVEMENT ±			
		HORIZONTAL		VERTICAL	
US	mm	US	mm	US	mm
24"	610	12"	305	1 1/4"	32

NOTE:
TO DETERMINE BLOCKOUT DEPTH,
DEDUCT THICKNESS OF FLOOR FINISH
FROM FRAME HEIGHT.

FINISH: MILL
PROJECT:
CUSTOMER:
LOCATION:

APPLICATION-
POP-UP PAN SYSTEM,
INTERIOR FLOOR/FLOOR & FLOOR/WALL
CONDITION

DATE:	9-30-22
SCALE:	1:8
DOC:	CADJM.245/R2



For More Information Visit: Inprocorp.com