

Installation Instructions

6000/G2-6000 Bed Locator

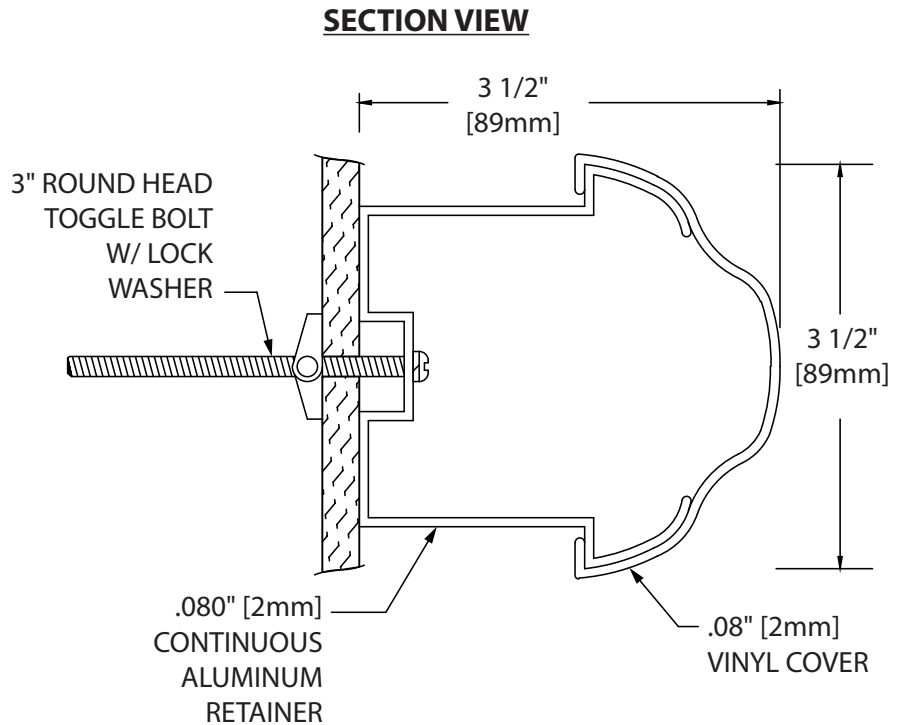
Please read all instructions before installing wallguard.

Important

1. Acclimate materials 24 hrs before installation. Maintain temperature controlled environment after installation.
2. Install in accordance with manufacturer's installation instructions. Failure to do so will void the warranty.

Installation tips

1. Cut covers up to 1/16" [1.6mm] longer to ensure a tight fit.
2. Lubricate when cutting or drilling aluminum to reduce burrs.



RECOMMENDED TOOLS

Safety Glasses, Tape Measure, Power Drill, Power Miter Saw, Drill Bits - 3/4" drywall and 1/4" masonry (concrete/concrete block)

IPC.373/REV.7

IPC® Door + Wall Protection

inpro.com • 800.222.5556 • 262.679.9010

World Headquarters S80 W18766 Apollo Drive, Muskego, WI 53150 USA

Installation Hotline: 866.394.6776

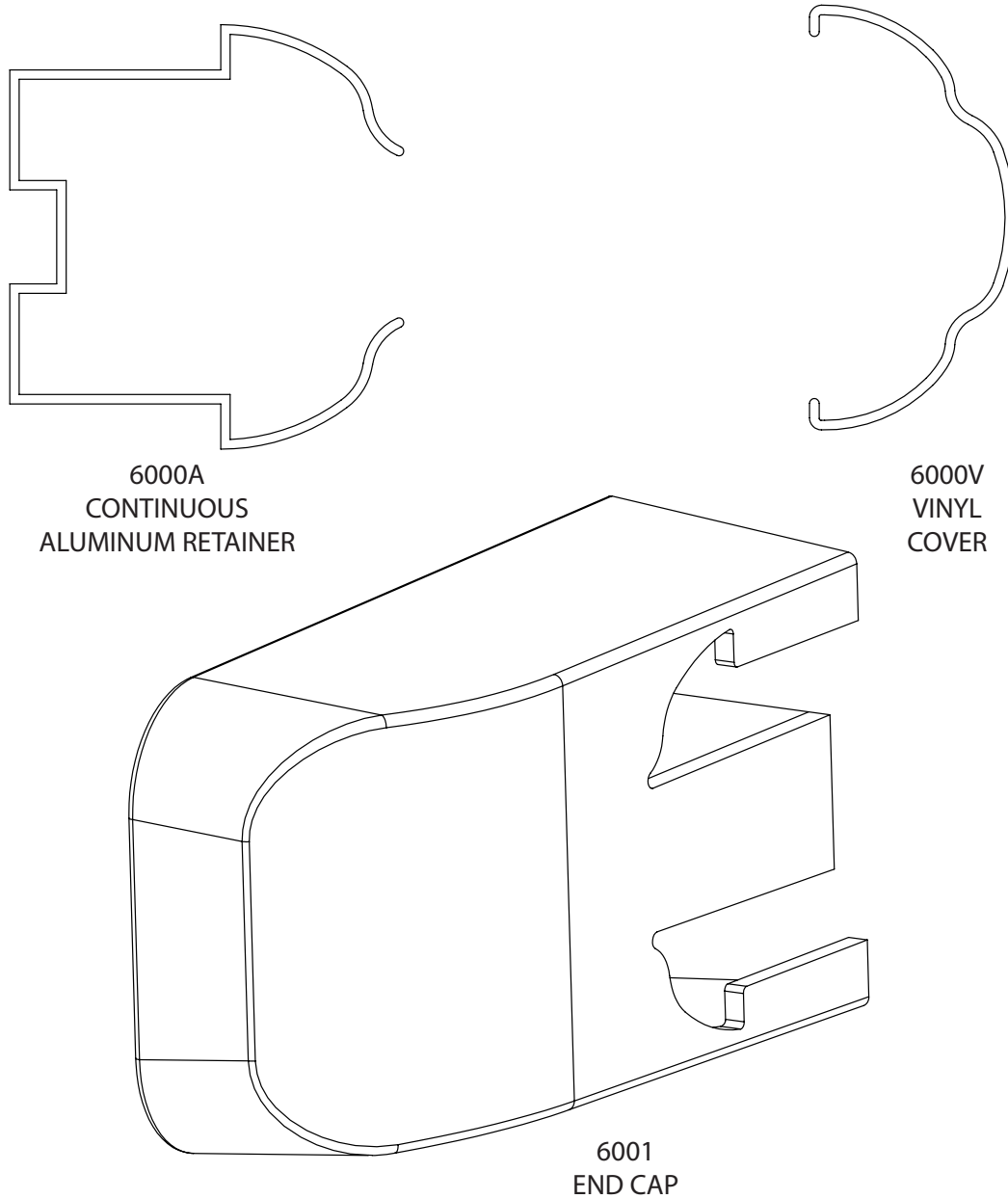
inpro®

Installation Instructions

6000/G2-6000 Bed Locator

Please read all instructions before installing wallguard.

Components and Fasteners



Hardware Type	Specified Fasteners	Inpro Part #
Bed Locator - Drywall	1/4"-20 x 3" Slotted Round Head Bolt, Toggle Wing Nut and Lockwasher	HWK-BL
Bed Locator - Concrete	#10 x 1 3/4" Phillips Pan Head Sheet Metal Screw and Alligator Anchor	HWK-BL
End Cap Connection	1/4"-20 x 2" Slotted Hex Head Lag Screw	HWK-BL

IPC® Door + Wall Protection

inpro.com • 800.222.5556 • 262.679.9010

World Headquarters S80 W18766 Apollo Drive, Muskego, WI 53150 USA

Installation Hotline: 866.394.6776

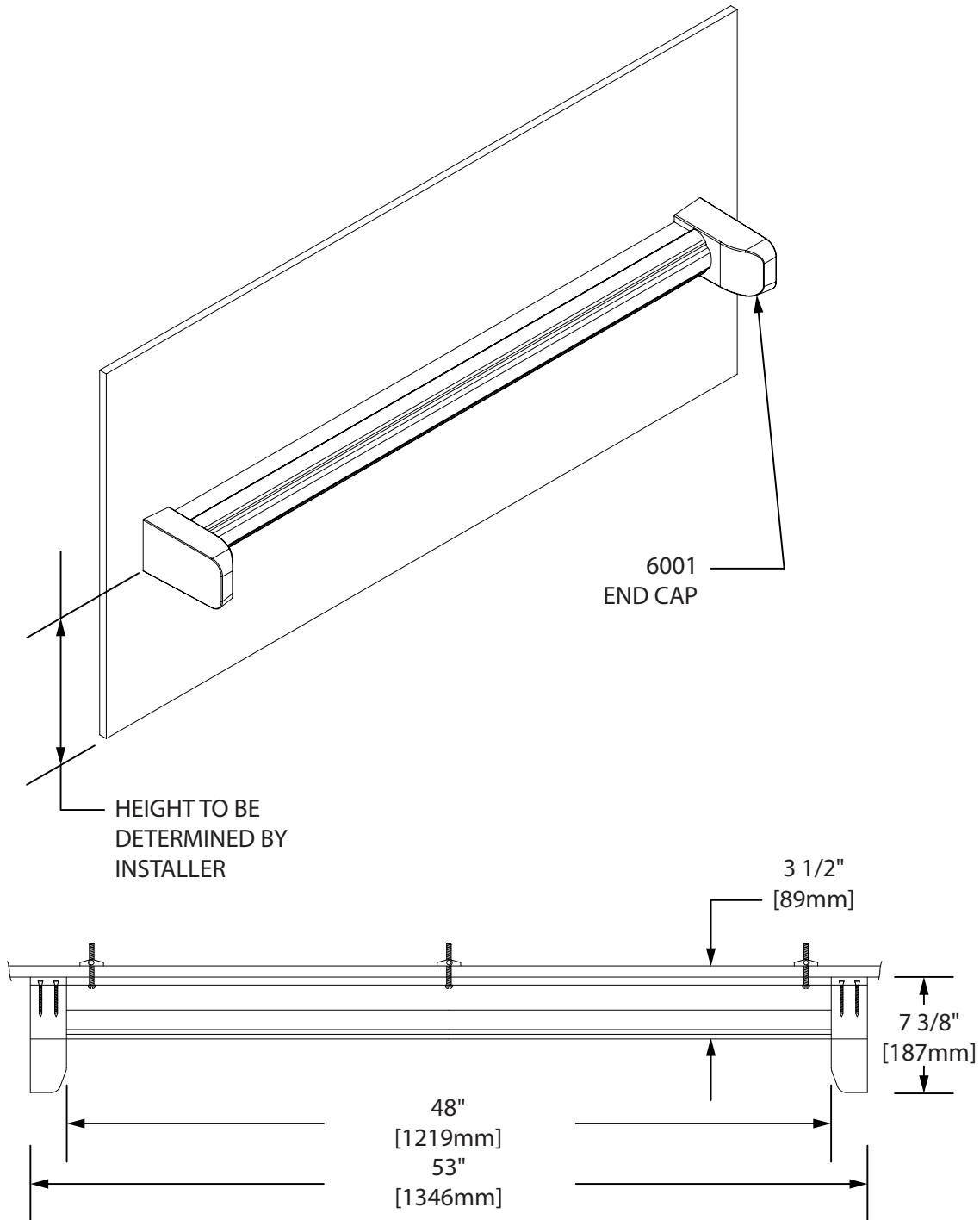
inpro®

Installation Instructions

6000/G2-6000 Bed Locator

Please read all instructions before installing wallguard.

Layout View



IPC® Door + Wall Protection

inpro.com • 800.222.5556 • 262.679.9010

World Headquarters S80 W18766 Apollo Drive, Muskego, WI 53150 USA

Installation Hotline: 866.394.6776

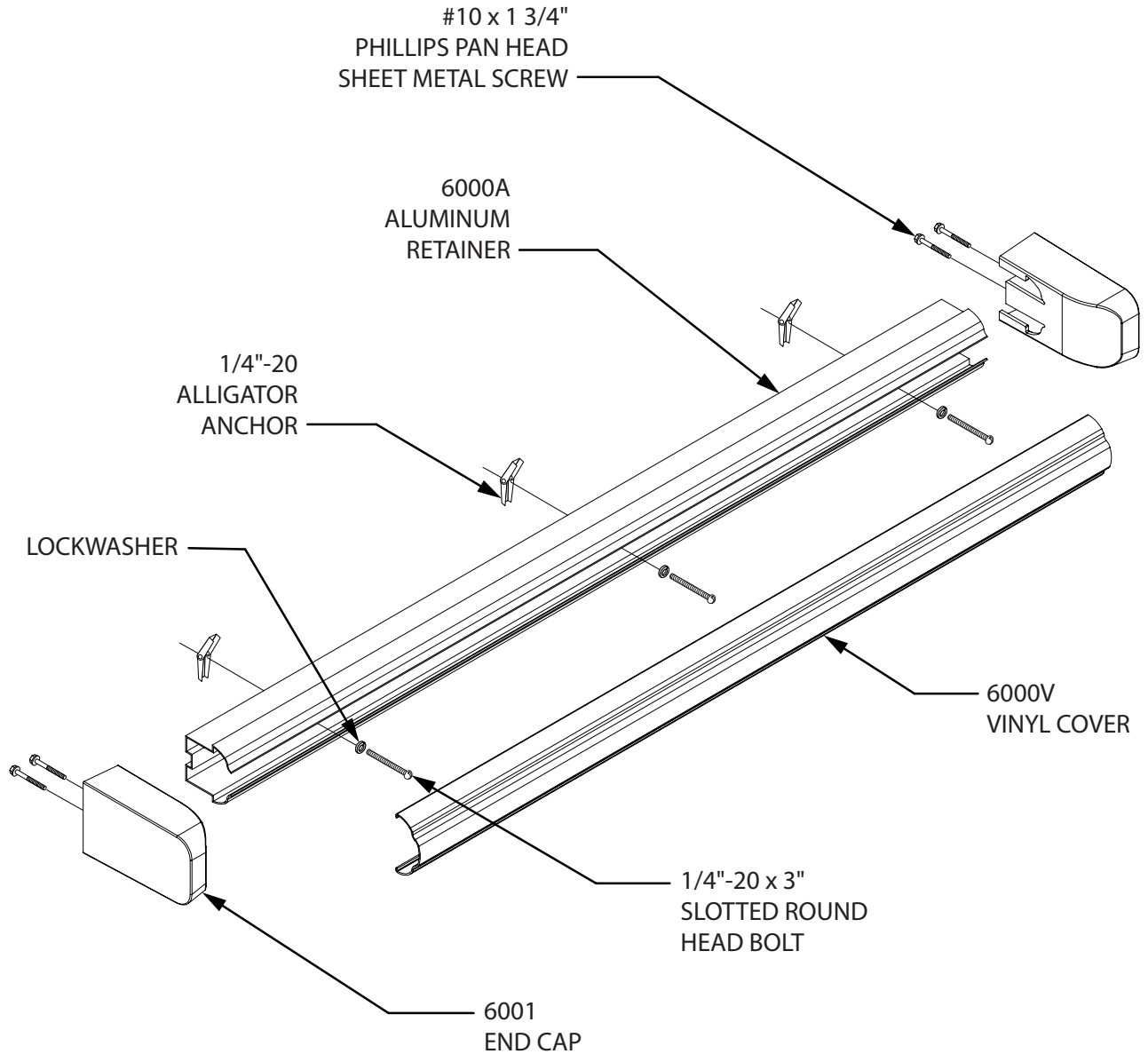
inpro®

Installation Instructions

6000/G2-6000 Bed Locator

Please read all instructions before installing wallguard.

Exploded View



IPC® Door + Wall Protection

inpro.com • 800.222.5556 • 262.679.9010

World Headquarters S80 W18766 Apollo Drive, Muskego, WI 53150 USA

Installation Hotline: 866.394.6776

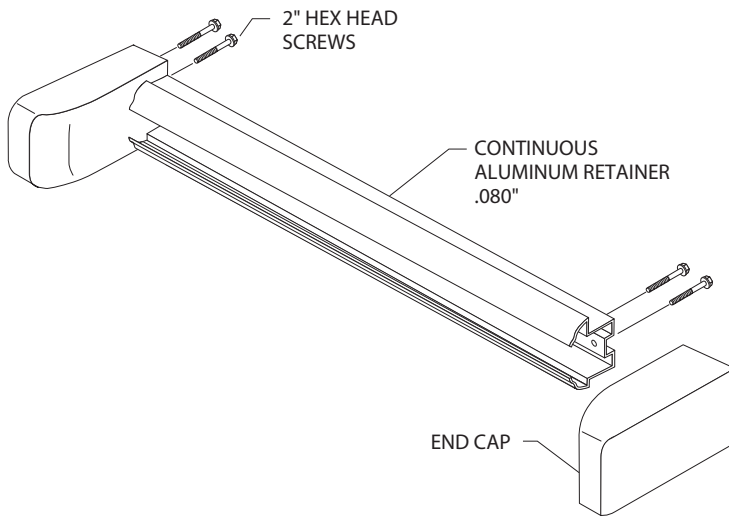
inpro®

Installation Instructions

6000/G2-6000 Bed Locator

Please read all instructions before installing wallguard.

FIG. 1b



Please read all instructions before installing bed locator.

1. Drill $\frac{3}{16}$ " pilot hole in the screw holes on the back of the end cap to ensure that fastener will thread into end cap. See Figure 1a.
Slide end cap onto retainer until the holes on the end caps and retainer line up. Fasten end caps to the retainer. See Figure 1b.

FIG. 1a

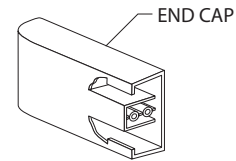
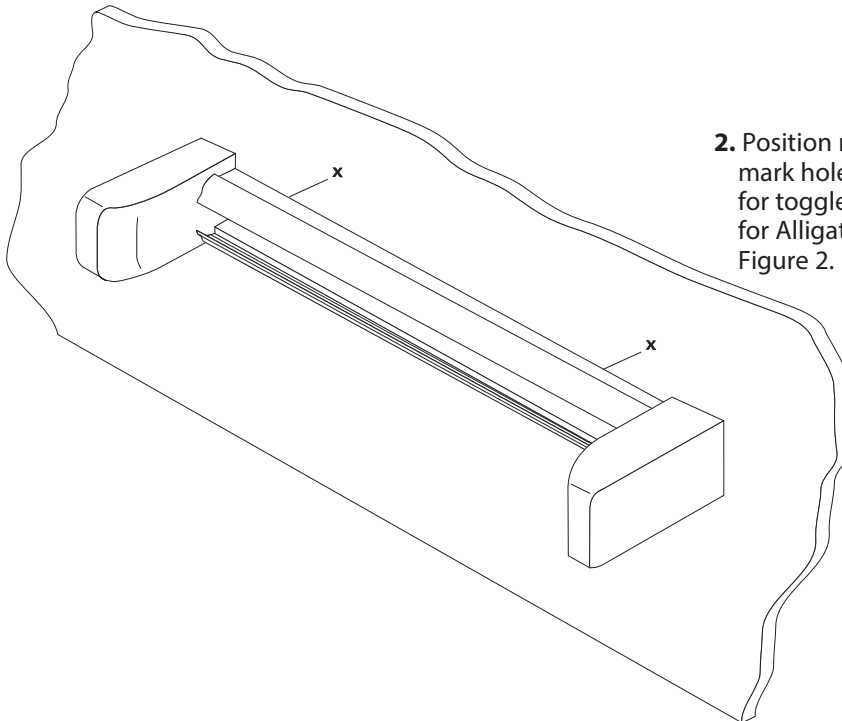


FIG. 2



2. Position retainer on wall at the desired height. Level and mark holes. Drill marked holes on wall with a $\frac{3}{4}$ " drill bit for toggle bolts (drywall installation) or $\frac{1}{4}$ " [6mm] drill bit for Alligator anchors (concrete or wood installation). See Figure 2.

IPC® Door + Wall Protection

inpro.com • 800.222.5556 • 262.679.9010

World Headquarters S80 W18766 Apollo Drive, Muskego, WI 53150 USA

Installation Hotline: 866.394.6776

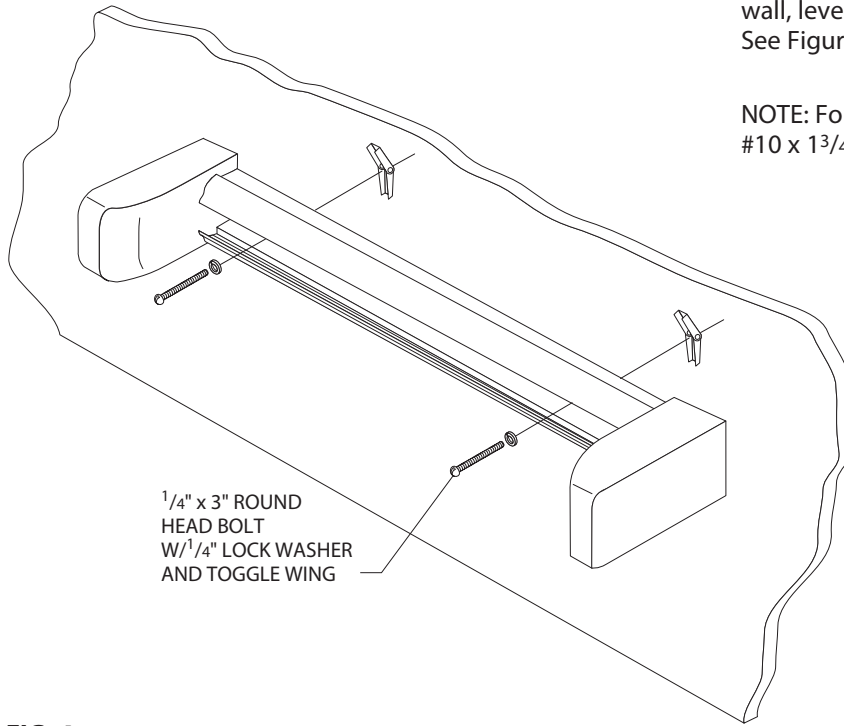
inpro®

Installation Instructions

6000/G2-6000 Bed Locator

Please read all instructions before installing wallguard.

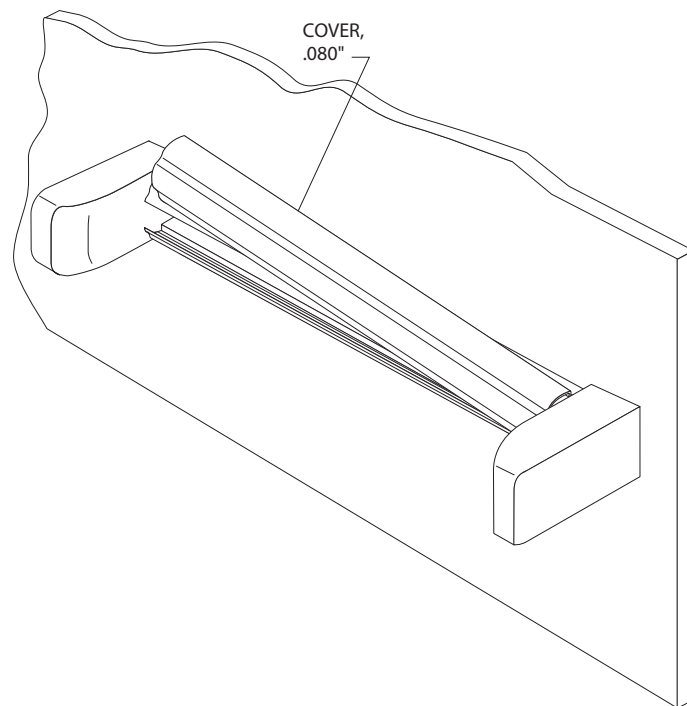
FIG. 3



3. Loosely attach mounting bolts to the retainer. Mount on wall, level retainer and tighten screws to secure. See Figure 3.

NOTE: For concrete or brick wall installation, use #10 x 1³/₄" Phillips pan head screws to secure the retainer.

FIG. 4



4. Position cover on retainer starting at top of retainer and pivot cover over the bottom of the retainer until it snaps into place. See Figure 4.