

SPECIFY SEAL COLOR:	
Black (J6D401)	
Beige (J6D402)	
Gray (J6D403)	
Off White (J6D404)	
Bright White (J6D405)	
Greige (J6D406)	

612-A09-200

JOINT WIDTH		MOVEMENT ±			
		HORIZONTAL		VERTICAL	
US	mm	US	mm	US	mm
8"	203	4"	102	4"	102

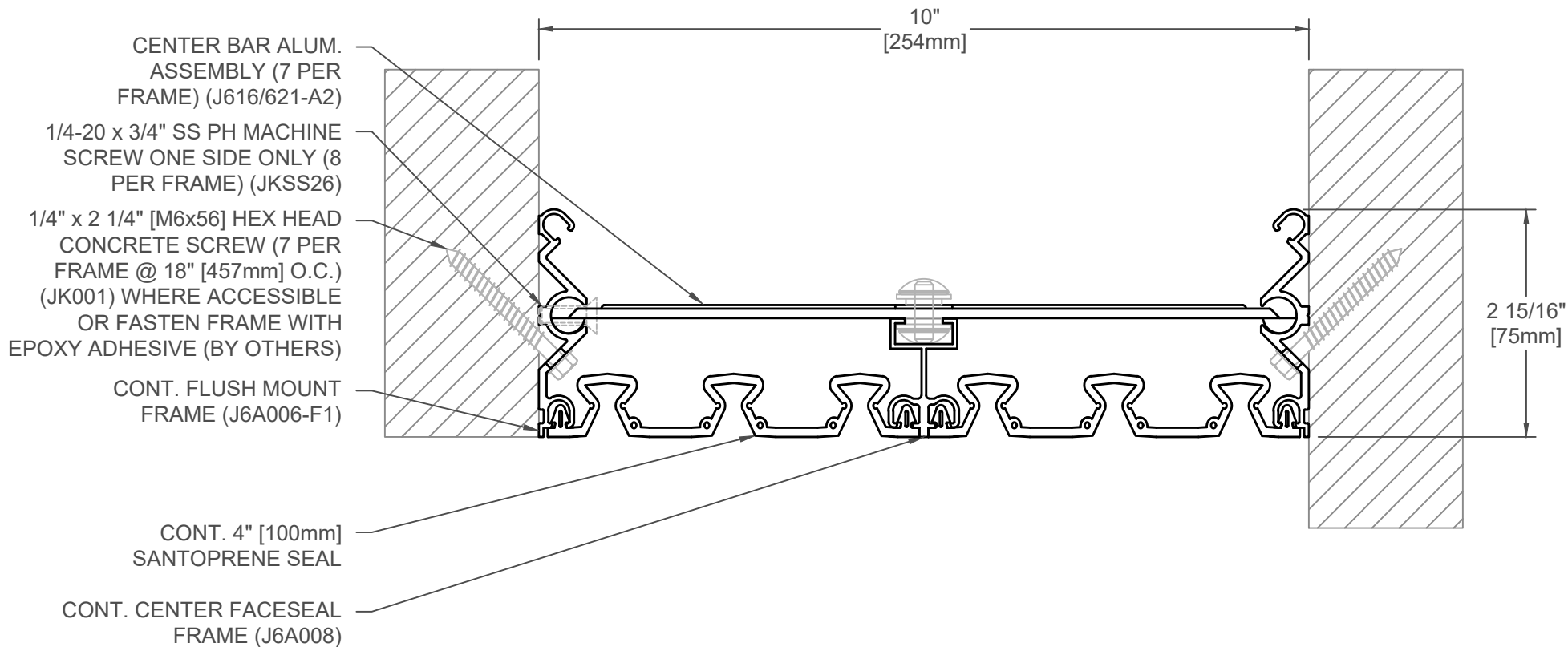
FINISH: ALUM. FINISH - MILL
PROJECT:
CUSTOMER:
LOCATION:

APPLICATION-
WALL/CORNER, CEILING/WALL
FLUSH WALL AND CEILING SYSTEM

DATE:	11-15-07
SCALE:	1:2
DOC:	CADJM.140/R3

inpro.

For More Information Visit: Inprocorp.com



SPECIFY SEAL COLOR:	
Black (J6D501)	
Beige (J6D502)	
Gray (J6D503)	
Off White (J6D504)	
Bright White (J6D505)	
Greige (J6D506)	

612-A09-250

JOINT WIDTH		MOVEMENT ±			
		HORIZONTAL		VERTICAL	
US	mm	US	mm	US	mm
10"	254	5"	127	5"	127

FINISH: ALUM. FINISH - MILL

PROJECT:

CUSTOMER:

LOCATION:

APPLICATION-
WALL/CORNER, CEILING/WALL
FLUSH WALL AND CEILING SYSTEM

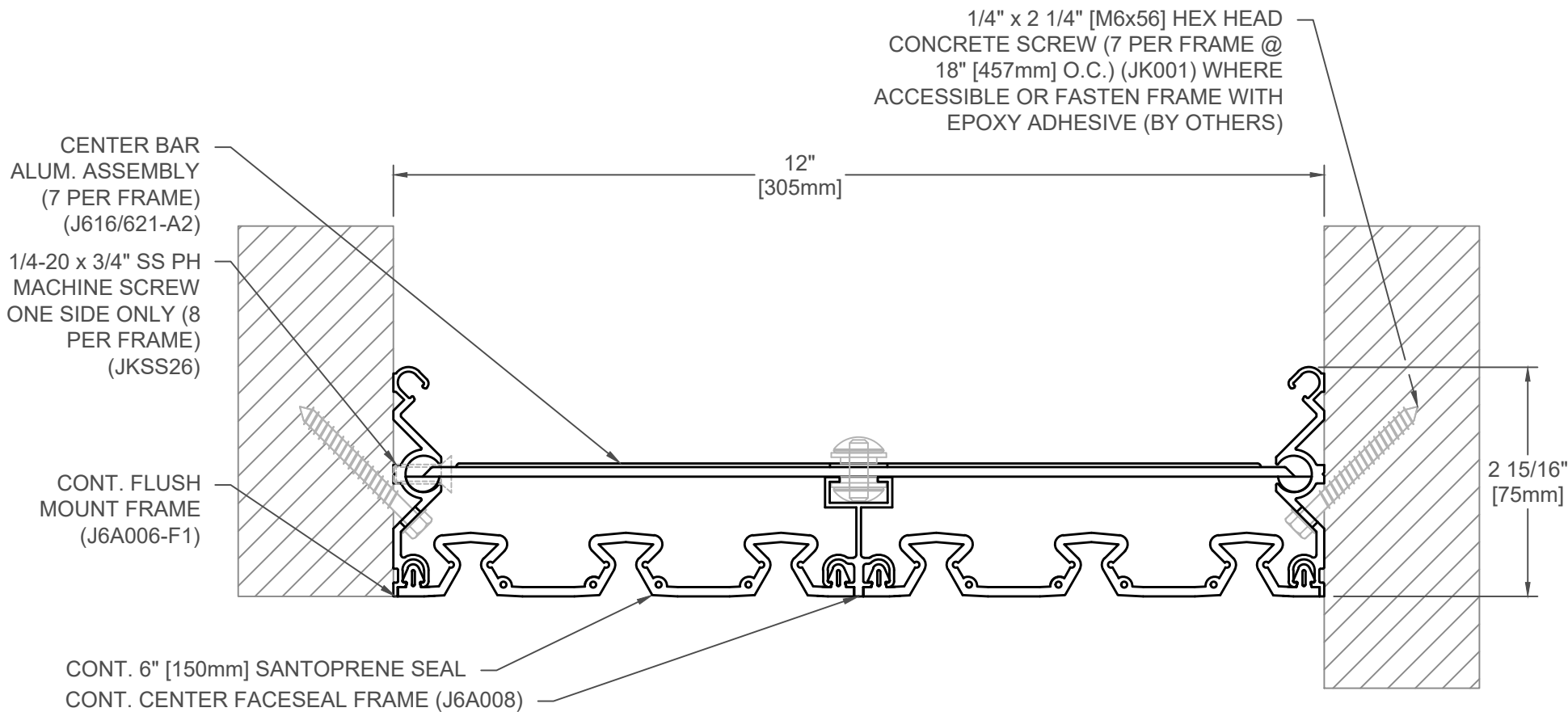
DATE: 11-15-07

SCALE: 1:2

DOC: CADJM.140/R3

inpro.

For More Information Visit: Inprocorp.com



SPECIFY SEAL COLOR:	
Black (J6D601)	
Beige (J6D602)	
Gray (J6D603)	
Off White (J6D604)	
Bright White (J6D605)	
Greige (J6D606)	

612-A09-300

JOINT WIDTH		MOVEMENT ±			
		HORIZONTAL		VERTICAL	
US	mm	US	mm	US	mm
12"	305	6"	152	6"	152

FINISH: ALUM. FINISH - MILL

PROJECT:

CUSTOMER:

LOCATION:

APPLICATION-
WALL/CORNER, CEILING/WALL
FLUSH WALL AND CEILING SYSTEM

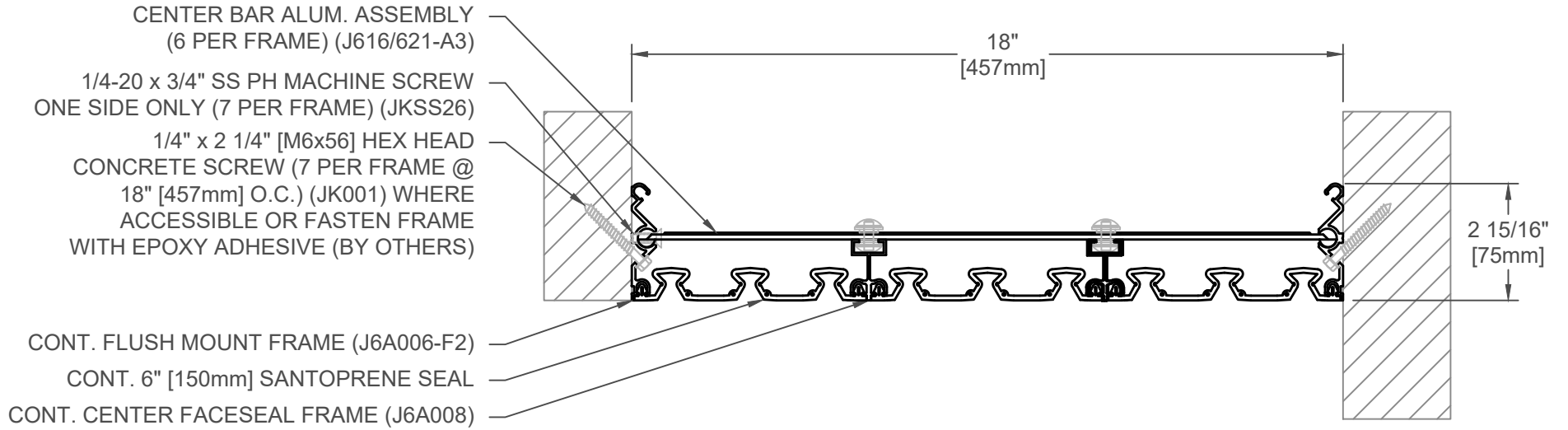
DATE: 11-15-07

SCALE: 1:2

DOC: CADJM.140/R3

inpro.

For More Information Visit: Inprocorp.com



SPECIFY SEAL COLOR:	
Black (J6D601)	
Beige (J6D602)	
Gray (J6D603)	
Off White (J6D604)	
Bright White (J6D605)	
Greige (J6D606)	

612-A09-450

JOINT WIDTH		MOVEMENT ±			
		HORIZONTAL		VERTICAL	
US	mm	US	mm	US	mm
18"	457	9"	229	6"	152

FINISH: ALUM. FINISH - MILL
PROJECT:
CUSTOMER:
LOCATION:

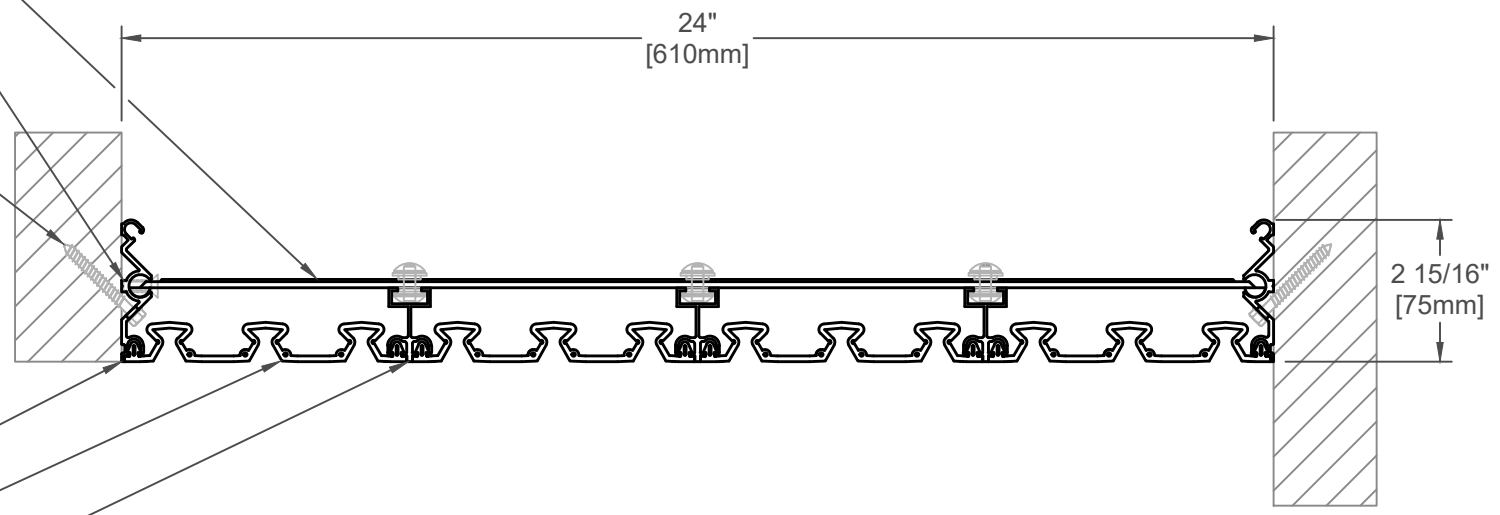
APPLICATION-
WALL/CORNER, CEILING/WALL
FLUSH WALL AND CEILING SYSTEM

DATE:	11-15-07
SCALE:	1:4
DOC:	CADJM.140/R3

inpro.

For More Information Visit: Inprocorp.com

- CENTER BAR ALUM. ASSEMBLY (6 PER FRAME) (J616/621-A4)
- 1/4-20 x 3/4" SS PH MACHINE SCREW ONE SIDE ONLY (8 PER FRAME) (JKSS26)
- 1/4" x 2 1/4" [M6x56] HEX HEAD CONCRETE SCREW (7 PER FRAME @ 18" [457mm] O.C.) (JK001) WHERE ACCESSIBLE OR FASTEN FRAME WITH EPOXY ADHESIVE (BY OTHERS)
- CONT. FLUSH MOUNT FRAME (J6A006-F3)
- CONT. 6" [150mm] SANTOPRENE SEAL
- CONT. CENTER FACESEAL FRAME (J6A008)



SPECIFY SEAL COLOR:	
Black (J6D601)	
Beige (J6D602)	
Gray (J6D603)	
Off White (J6D604)	
Bright White (J6D605)	
Greige (J6D606)	

612-A09-600

JOINT WIDTH		MOVEMENT ±			
		HORIZONTAL		VERTICAL	
US	mm	US	mm	US	mm
24"	610	12"	305	12"	305

FINISH: ALUM. FINISH - MILL
PROJECT:
CUSTOMER:
LOCATION:

APPLICATION-
WALL/CORNER, CEILING/WALL
FLUSH WALL AND CEILING SYSTEM

DATE: 11-15-07
SCALE: 1:4
DOC: CADJM.140/R3

