

REINF. EPDM VAPOR BARRIER (JL018-RVB) NOTE: SET IN CONT. BED OF BUTYL SEALANT (BY OTHERS) TERMINATE RVB AT OUTSIDE EDGES OF SYSTEM

CENTER BAR ALUM. ASSEMBLY (7 PER FRAME) (J616/621-A1)

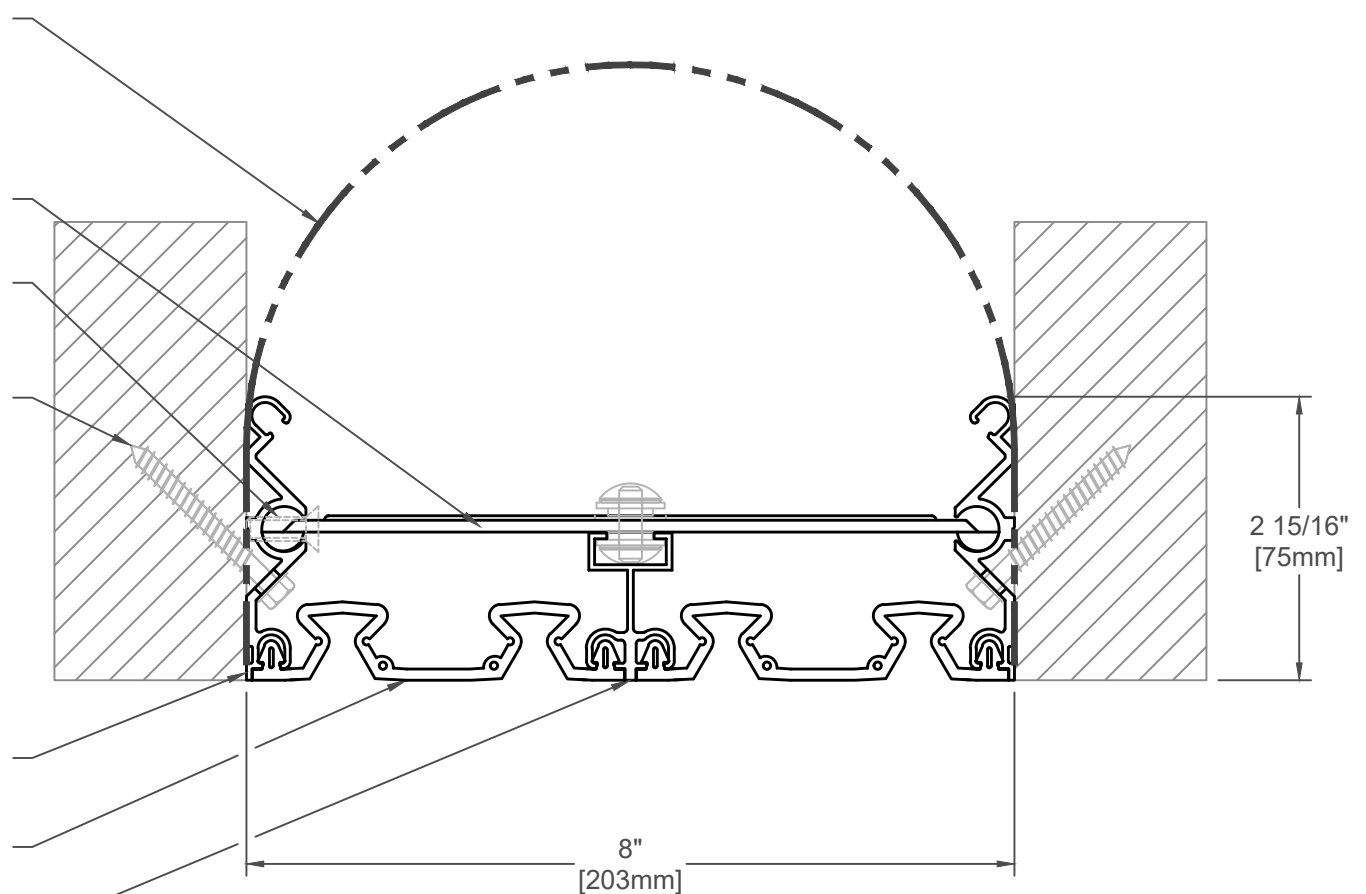
1/4-20 x 3/4" SS PH MACHINE SCREW ONE SIDE ONLY (8 PER FRAME) (JKSS26)

1/4" x 2 1/4" [M6x56] HEX HEAD CONCRETE SCREW (7 PER FRAME @ 18" [457mm] O.C.) (JK001) WHERE ACCESSIBLE OR FASTEN FRAME WITH EPOXY ADHESIVE (BY OTHERS)

CONT. FLUSH MOUNT FRAME (J6A006-F1)

CONT. 4" [102mm] SANTOPRENE SEAL

CONT. CENTER FACESEAL FRAME (J6A008)



SPECIFY SEAL COLOR:	
Black (J6D401)	
Beige (J6D402)	
Gray (J6D403)	
Off White (J6D404)	
Bright White (J6D405)	
Greige (J6D406)	

## 616-A07-200

JOINT WIDTH		MOVEMENT ±			
		HORIZONTAL		VERTICAL	
US	mm	US	mm	US	mm
8"	203	4"	102	4"	102

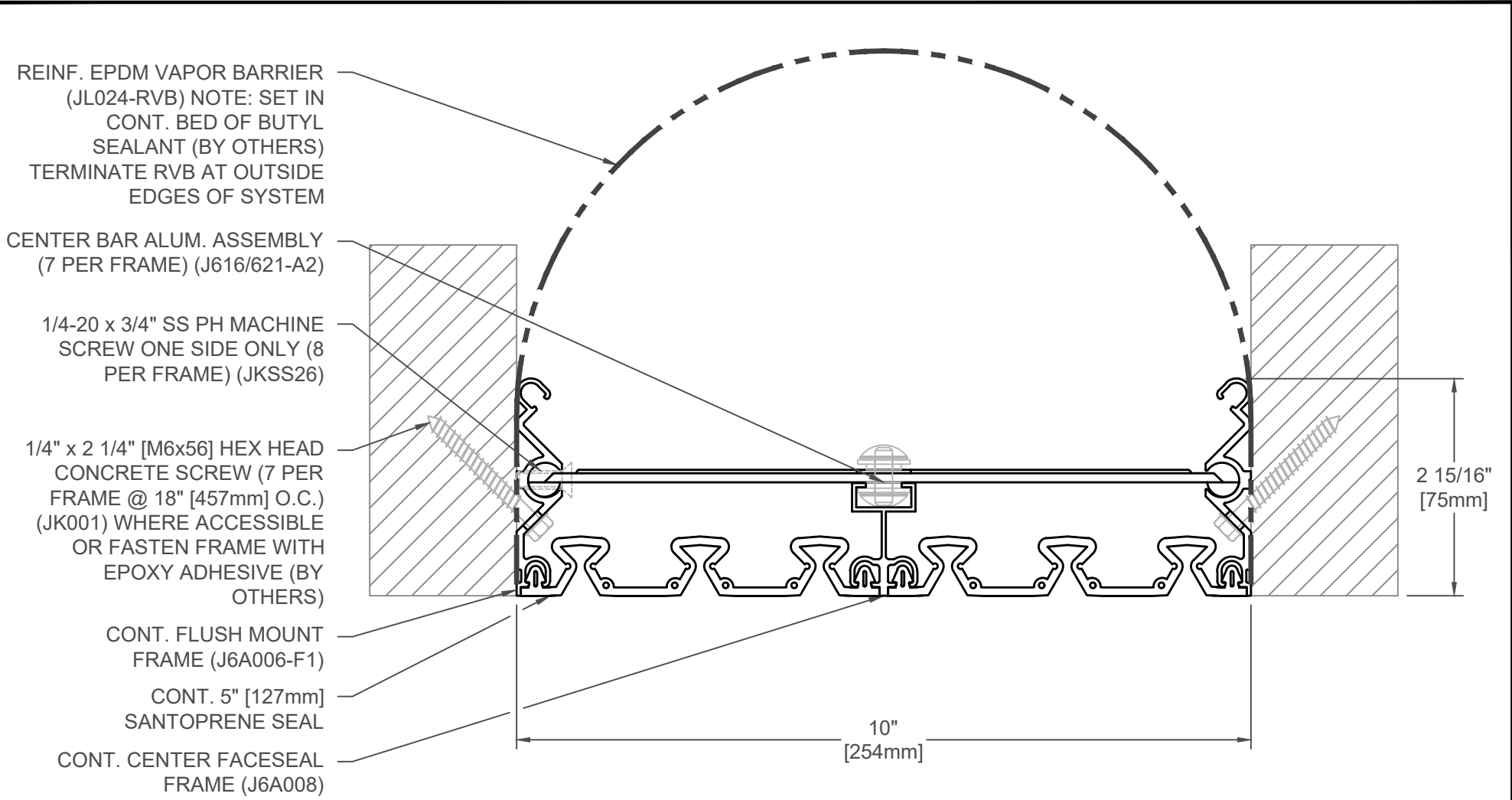
FINISH: ALUM. FINISH - MILL
PROJECT:
CUSTOMER:
LOCATION:

APPLICATION-  
FLUSH MOUNT WALL/WALL, CEILING/CEILING  
EXTERIOR CONDITION

DATE:	12-21-22
SCALE:	1:2
DOC:	CADJM.144/R4

**inpro.**

For More Information Visit: [Inprocorp.com](http://Inprocorp.com)



- REINF. EPDM VAPOR BARRIER (JL024-RVB) NOTE: SET IN CONT. BED OF BUTYL SEALANT (BY OTHERS) TERMINATE RVB AT OUTSIDE EDGES OF SYSTEM
- CENTER BAR ALUM. ASSEMBLY (7 PER FRAME) (J616/621-A2)
- 1/4-20 x 3/4" SS PH MACHINE SCREW ONE SIDE ONLY (8 PER FRAME) (JKSS26)
- 1/4" x 2 1/4" [M6x56] HEX HEAD CONCRETE SCREW (7 PER FRAME @ 18" [457mm] O.C.) (JK001) WHERE ACCESSIBLE OR FASTEN FRAME WITH EPOXY ADHESIVE (BY OTHERS)
- CONT. FLUSH MOUNT FRAME (J6A006-F1)
- CONT. 5" [127mm] SANTOPRENE SEAL
- CONT. CENTER FACESEAL FRAME (J6A008)

SPECIFY SEAL COLOR:	
Black (J6D501)	
Beige (J6D502)	
Gray (J6D503)	
Off White (J6D504)	
Bright White (J6D505)	
Greige (J6D506)	

## 616-A07-250

JOINT WIDTH		MOVEMENT ±			
		HORIZONTAL		VERTICAL	
US	mm	US	mm	US	mm
10"	254	5"	127	5"	127

FINISH: ALUM. FINISH - MILL
PROJECT:
CUSTOMER:
LOCATION:

APPLICATION-  
FLUSH MOUNT WALL/WALL, CEILING/CEILING  
EXTERIOR CONDITION

DATE:	12-21-22
SCALE:	1:2
DOC:	CADJM.144/R4

For More Information Visit: [Inprocorp.com](http://Inprocorp.com)

REINF. EPDM VAPOR BARRIER (JL024-RVB)  
 NOTE: SET IN CONT. BED OF BUTYL SEALANT (BY OTHERS) TERMINATE RVB AT OUTSIDE EDGES OF SYSTEM

CENTER BAR ALUM. ASSEMBLY (7 PER FRAME) (J616/621-A2)

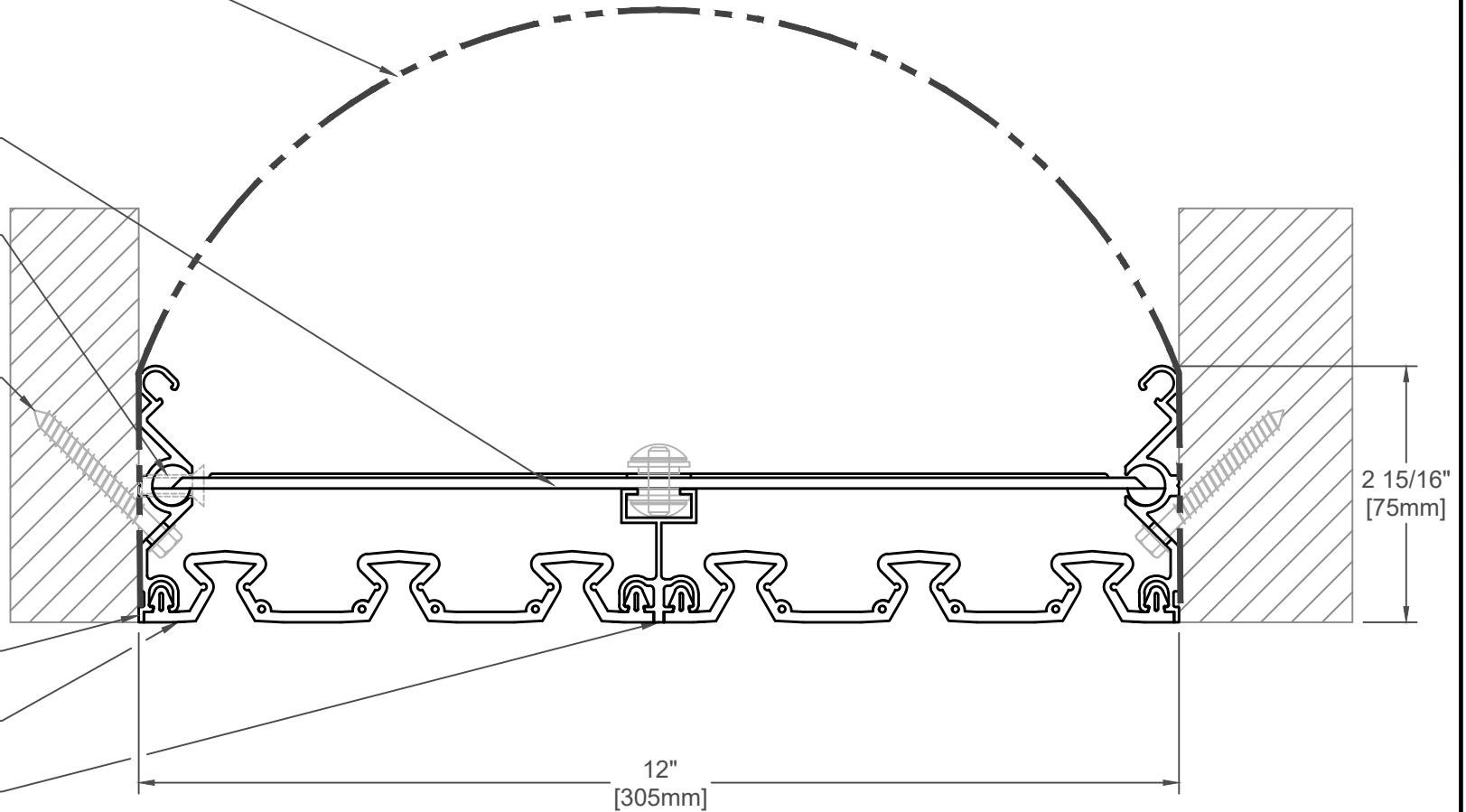
1/4-20 x 3/4" SS PH MACHINE SCREW ONE SIDE ONLY (8 PER FRAME) (JKSS26)

1/4" x 2 1/4" [M6x56] HEX HEAD CONCRETE SCREW (7 PER FRAME @ 18" [457mm] O.C.) (JK001) WHERE ACCESSIBLE OR FASTEN FRAME WITH EPOXY ADHESIVE (BY OTHERS)

CONT. FLUSH MOUNT FRAME (J6A006-F1)

CONT. 6" [152mm] SANTOPRENE SEAL

CONT. CENTER FACESEAL FRAME (J6A008)



### 616-A07-300

JOINT WIDTH		MOVEMENT ±			
		HORIZONTAL		VERTICAL	
US	mm	US	mm	US	mm
12"	305	6"	152	6"	152

SPECIFY SEAL COLOR:	
Black (J6D601)	
Beige (J6D602)	
Gray (J6D603)	
Off White (J6D604)	
Bright White (J6D605)	
Greige (J6D606)	

FINISH: ALUM. FINISH - MILL
PROJECT:
CUSTOMER:
LOCATION:

APPLICATION-  
 FLUSH MOUNT WALL/WALL, CEILING/CEILING  
 EXTERIOR CONDITION

DATE:	12-21-22
SCALE:	1:2
DOC:	CADJM.144/R4



For More Information Visit: [Inprocorp.com](http://Inprocorp.com)

REINF. EPDM VAPOR BARRIER (JL036-RVB)  
 NOTE: SET IN CONT. BED OF BUTYL  
 SEALANT (BY OTHERS) TERMINATE RVB  
 AT OUTSIDE EDGES OF SYSTEM

CENTER BAR ALUM. ASSEMBLY  
 (6 PER FRAME) (J616/621-A3)

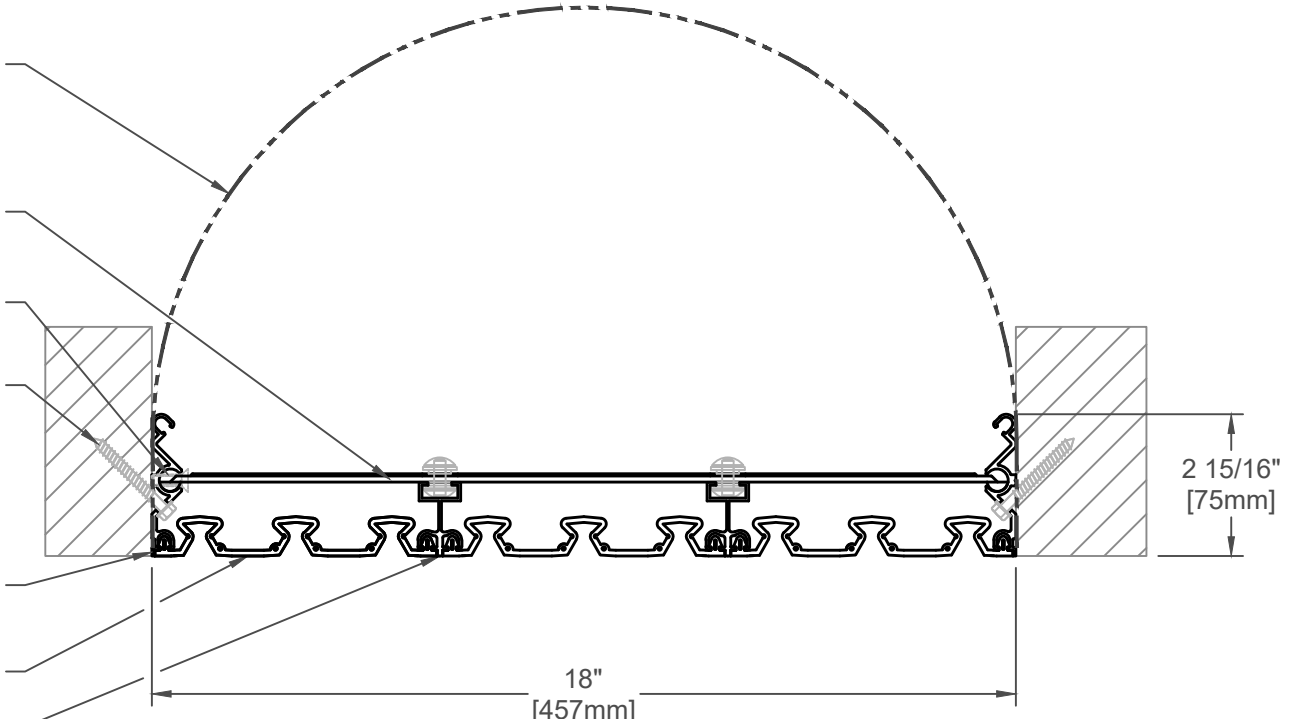
1/4-20 x 3/4" SS PH MACHINE SCREW ONE  
 SIDE ONLY (7 PER FRAME) (JKSS26)

1/4" x 2 1/4" [M6x56] HEX HEAD  
 CONCRETE SCREW (7 PER FRAME @  
 18" [457mm] O.C.) (JK001) WHERE  
 ACCESSIBLE OR FASTEN FRAME WITH  
 EPOXY ADHESIVE (BY OTHERS)

CONT. FLUSH MOUNT FRAME  
 (J6A006-F2)

CONT. 6" [152mm] SANTOPRENE SEAL

CONT. CENTER FACESEAL FRAME (J6A008)



SPECIFY SEAL COLOR:	
Black (J6D601)	
Beige (J6D602)	
Gray (J6D603)	
Off White (J6D604)	
Bright White (J6D605)	
Greige (J6D606)	

## 616-A07-450

JOINT WIDTH		MOVEMENT ±			
		HORIZONTAL		VERTICAL	
US	mm	US	mm	US	mm
18"	457	9"	229	6"	152

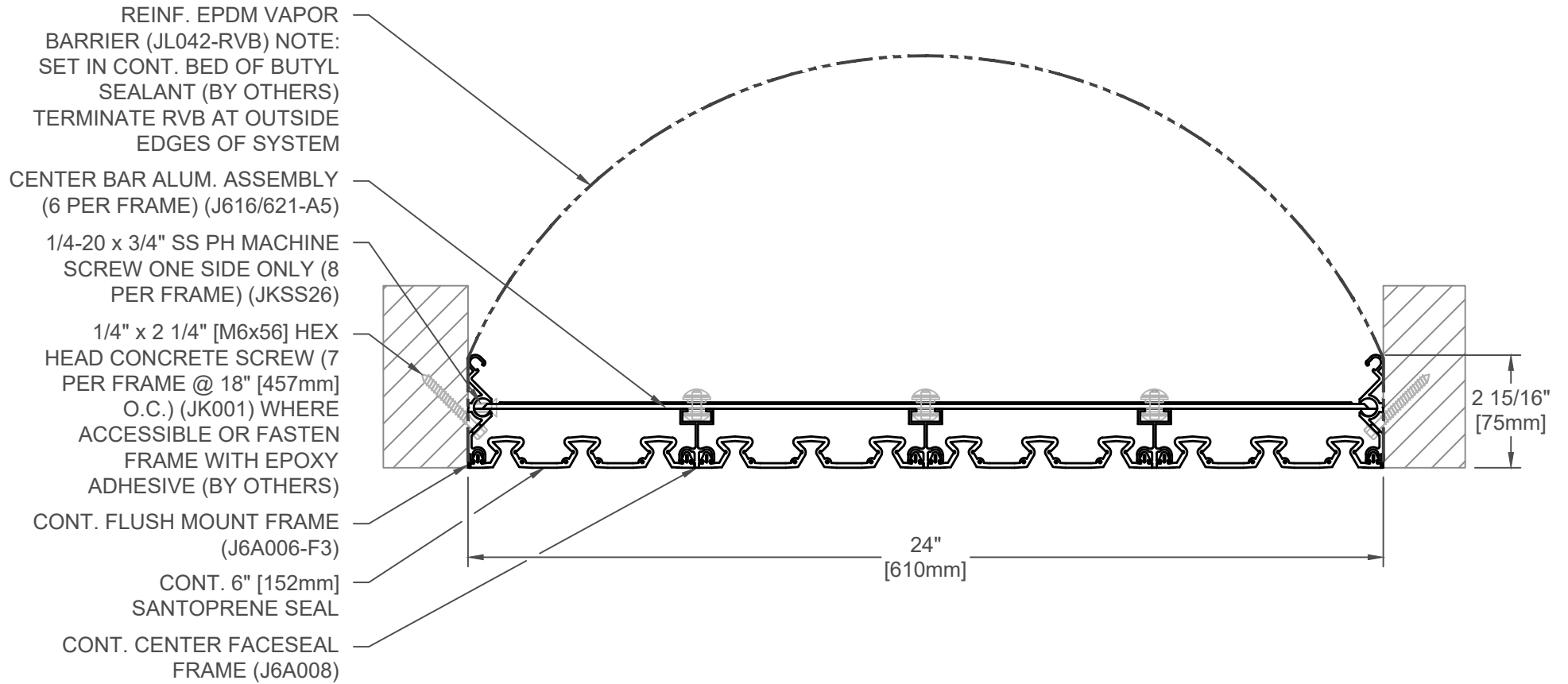
FINISH: ALUM. FINISH - MILL
PROJECT:
CUSTOMER:
LOCATION:

APPLICATION-  
 FLUSH MOUNT WALL/WALL, CEILING/CEILING  
 EXTERIOR CONDITION

DATE:	12-21-22
SCALE:	1:4
DOC:	CADJM.144/R4



For More Information Visit: [Inprocorp.com](http://Inprocorp.com)



SPECIFY SEAL COLOR:	
Black (J6D601)	
Beige (J6D602)	
Gray (J6D603)	
Off White (J6D604)	
Bright White (J6D605)	
Greige (J6D606)	

## 616-A07-600

JOINT WIDTH		MOVEMENT ±			
		HORIZONTAL		VERTICAL	
US	mm	US	mm	US	mm
24"	610	12"	305	12"	305

FINISH: ALUM. FINISH - MILL
PROJECT:
CUSTOMER:
LOCATION:

APPLICATION-  
FLUSH MOUNT WALL/WALL, CEILING/CEILING  
EXTERIOR CONDITION

DATE:	11-15-07
SCALE:	1:4
DOC:	CADJM.144/R4

**inpro.**

For More Information Visit: [Inprocorp.com](http://Inprocorp.com)