

691-A01-025

JOINT WIDTH		MOVEMENT ±			
US	mm	HORIZONTAL		VERTICAL	
US	mm	US	mm	US	mm
1"	25	1/2"	13	1/2"	13

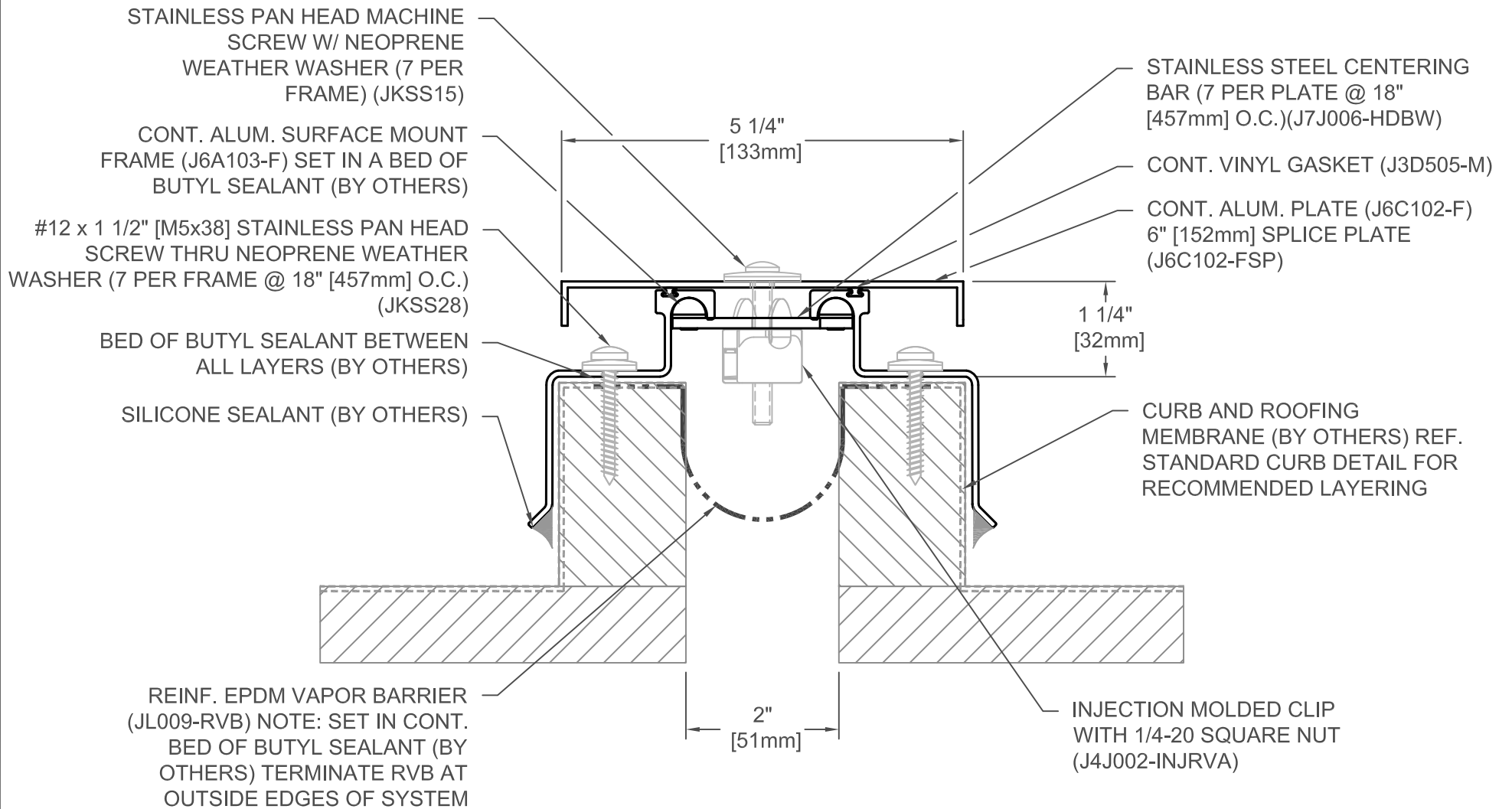
FINISH: MILL
PROJECT:
CUSTOMER:
LOCATION:

APPLICATION-
CURB MOUNTED CENTERING BAR
ROOF/ROOF CONDITION

DATE:	7-21-15
SCALE:	1:2
DOC:	CADJM.003/R5



For More Information Visit: Inprocorp.com



691-A01-050

JOINT WIDTH		MOVEMENT ±			
US	mm	HORIZONTAL		VERTICAL	
US	mm	US	mm	US	mm
2"	51	1"	25	1"	25

FINISH: MILL
PROJECT:
CUSTOMER:
LOCATION:

APPLICATION-
CURB MOUNTED CENTERING BAR
ROOF/ROOF CONDITION

DATE:	7-21-15
SCALE:	1:2
DOC:	CADJM.003/R5



For More Information Visit: Inprocorp.com

STAINLESS PAN HEAD MACHINE
SCREW W/ NEOPRENE
WEATHER WASHER (7 PER
FRAME) (JKSS15)

CONT. ALUM. SURFACE MOUNT
FRAME (J6A103-F) SET IN A BED OF
BUTYL SEALANT (BY OTHERS)

12 x 1 1/2" [M5x38] STAINLESS PAN HEAD
SCREW THRU NEOPRENE WEATHER
WASHER (7 PER FRAME @ 18" [457mm] O.C.)
(JKSS28)

BED OF BUTYL SEALANT BETWEEN
ALL LAYERS (BY OTHERS)

SILICONE SEALANT
(BY OTHERS)

REINF. EPDM VAPOR BARRIER
(JL009-RVB) NOTE: SET IN CONT.
BED OF BUTYL SEALANT (BY
OTHERS) TERMINATE RVB AT
OUTSIDE EDGES OF SYSTEM

6 1/4"
[159mm]

STAINLESS STEEL CENTERING
BAR (7 PER PLATE @ 18"
[457mm] O.C.)(J7J006-HDBW)

CONT. VINYL GASKET (J3D505-M)

CONT. ALUM. PLATE (J6C103-F)
6" [152mm] SPLICE PLATE
(J6C103-FSP)

1 1/4"
[32mm]

CURB AND ROOFING
MEMBRANE (BY OTHERS) REF.
STANDARD CURB DETAIL FOR
RECOMMENDED LAYERING

3"
[76mm]

INJECTION MOLDED CLIP
WITH 1/4-20 SQUARE NUT
(J4J002-INJRVA)

691-A01-075

JOINT WIDTH		MOVEMENT ±			
		HORIZONTAL		VERTICAL	
US	mm	US	mm	US	mm
3"	76	1-1/2"	38	1-1/2"	38

FINISH: MILL

PROJECT:

CUSTOMER:

LOCATION:

APPLICATION-
CURB MOUNTED CENTERING BAR
ROOF/ROOF CONDITION

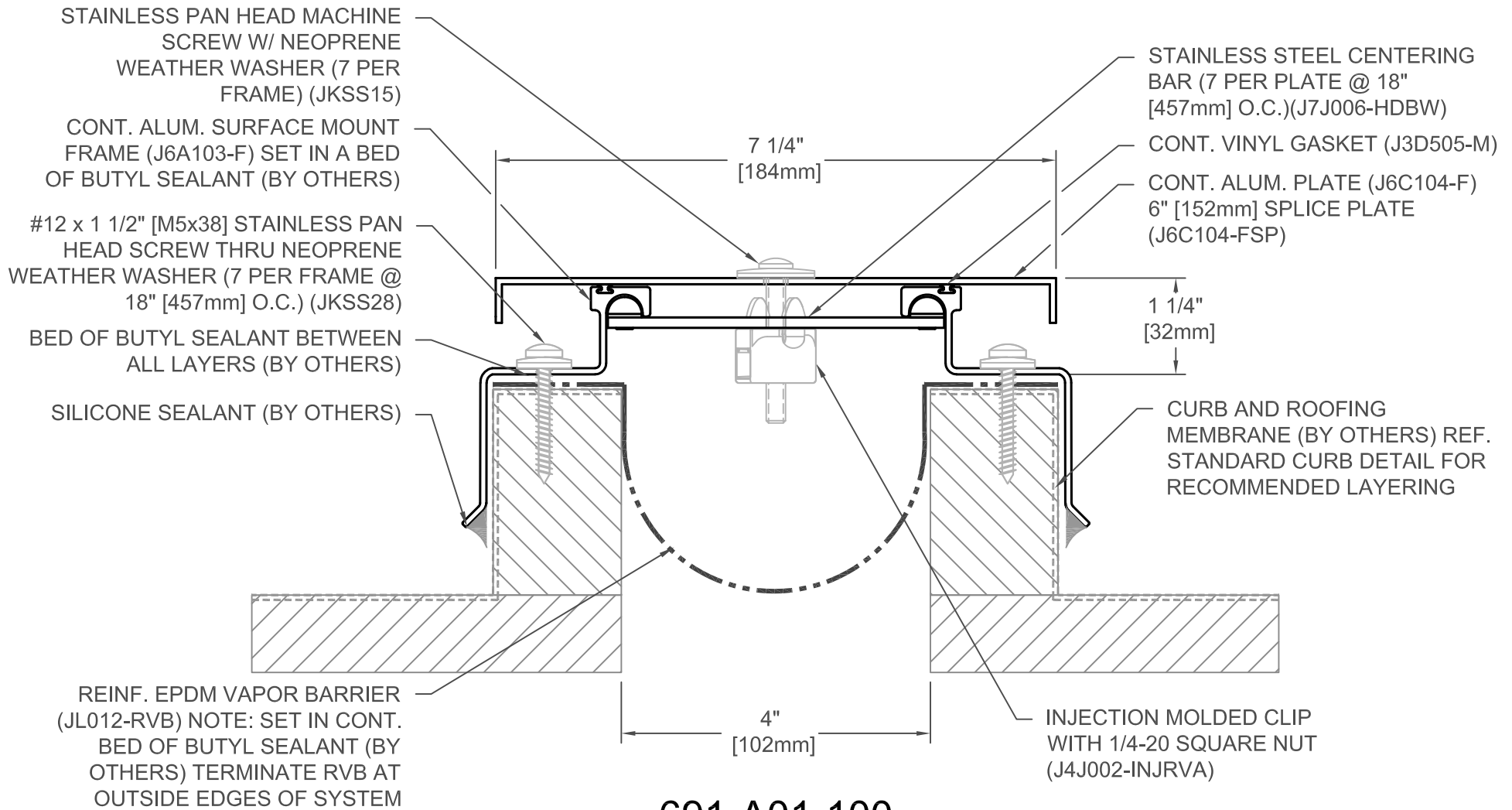
DATE: 7-21-15

SCALE: 1:2

DOC: CADJM.003/R5

inpro.

For More Information Visit: Inprocorp.com



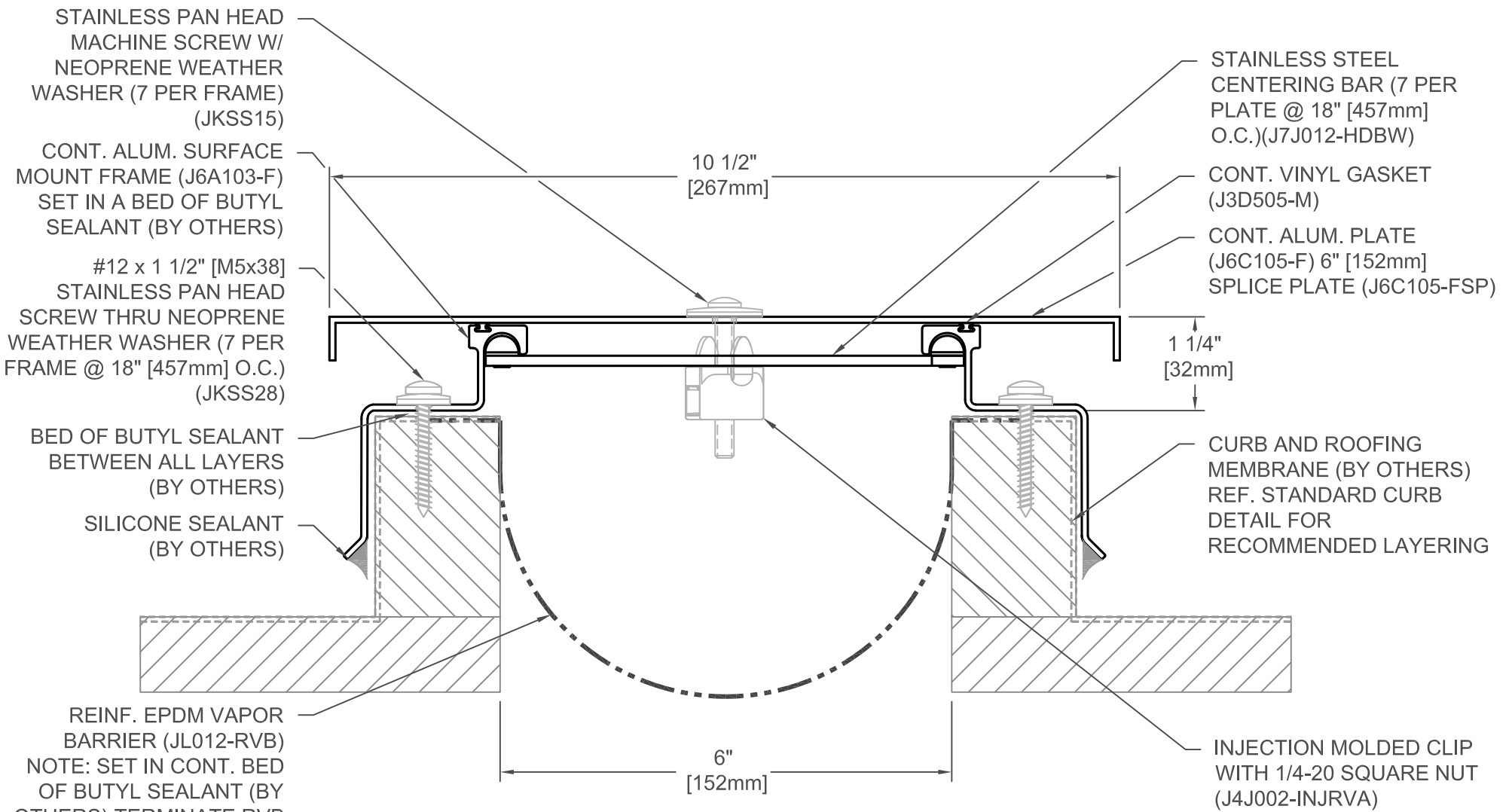
691-A01-100

JOINT WIDTH		MOVEMENT ±			
		HORIZONTAL		VERTICAL	
US	mm	US	mm	US	mm
4"	102	2"	51	2"	51

FINISH: MILL
PROJECT:
CUSTOMER:
LOCATION:

APPLICATION-
CURB MOUNTED CENTERING BAR
ROOF/ROOF CONDITION

DATE:	7-21-15
SCALE:	1:2
DOC:	CADJM.003/R5



691-A01-150

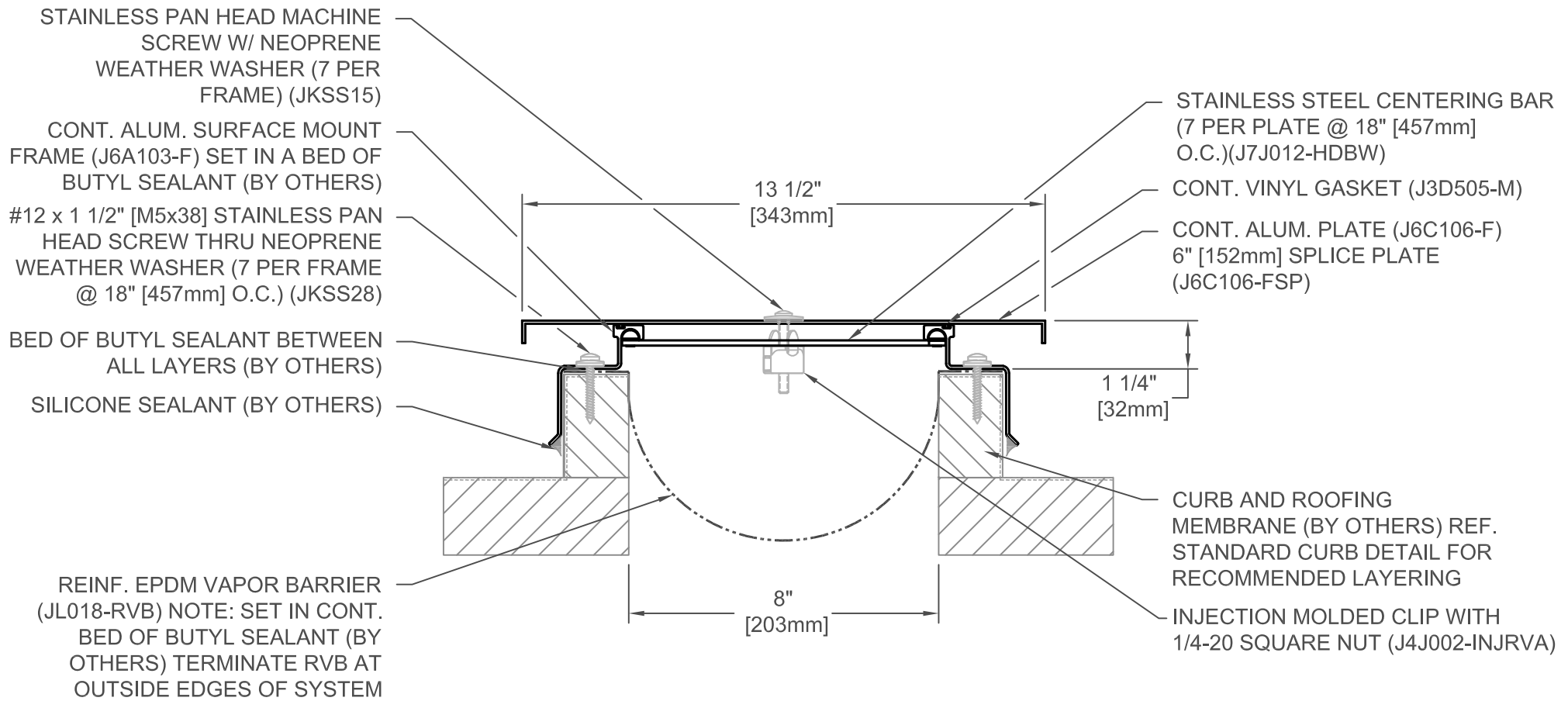
JOINT WIDTH		MOVEMENT ±			
US	mm	US	mm	US	mm
6"	152	3"	76	3"	76

FINISH: MILL
PROJECT:
CUSTOMER:
LOCATION:

APPLICATION-
CURB MOUNTED CENTERING BAR
ROOF/ROOF CONDITION

DATE:	7-21-15
SCALE:	1:2
DOC:	CADJM.003/R5

For More Information Visit: Inprocorp.com



691-A01-200

JOINT WIDTH		MOVEMENT ±			
		HORIZONTAL		VERTICAL	
US	mm	US	mm	US	mm
8"	203	4"	102	4"	102

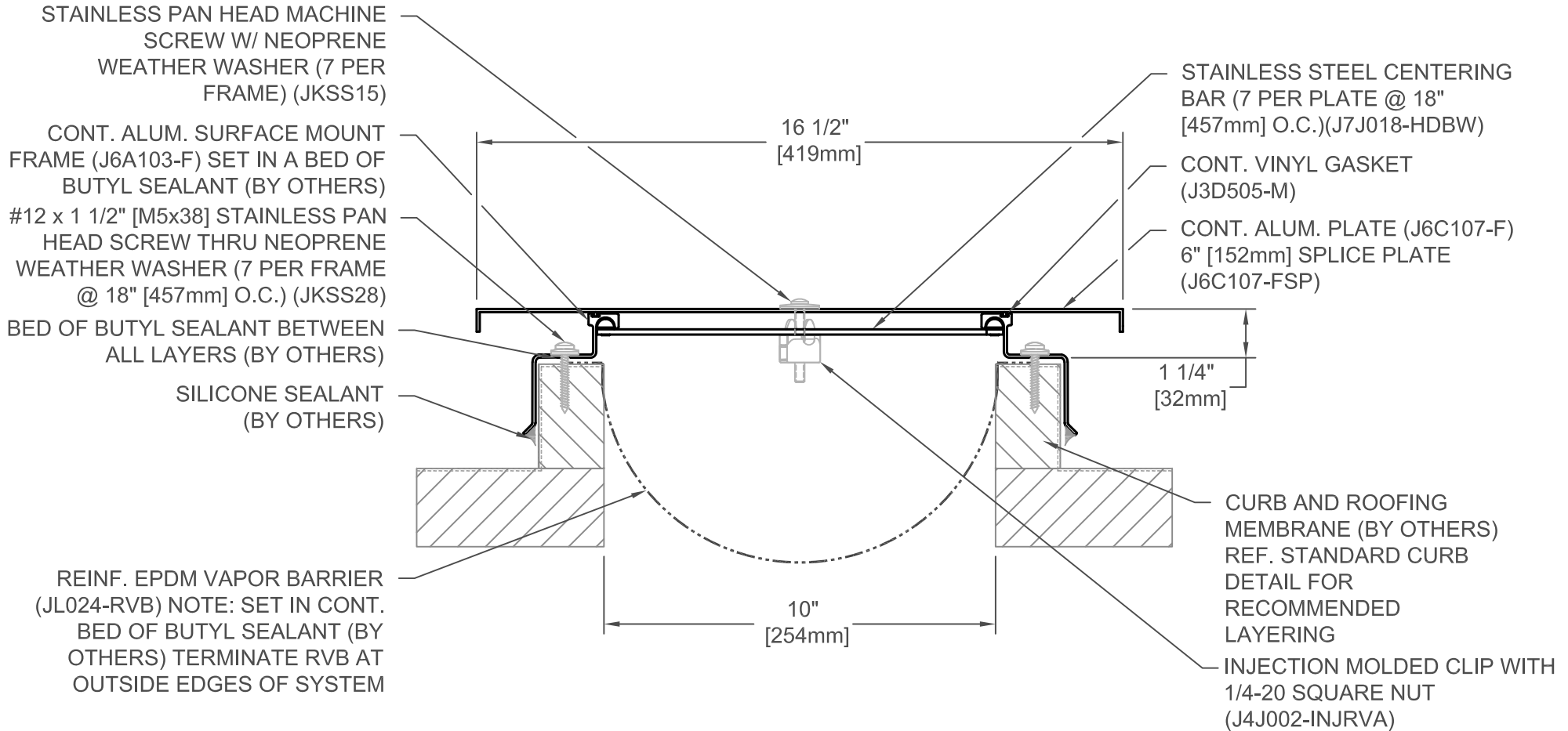
FINISH: MILL
PROJECT:
CUSTOMER:
LOCATION:

APPLICATION-
CURB MOUNTED CENTERING BAR
ROOF/ROOF CONDITION

DATE:	7-21-15
SCALE:	1:4
DOC:	CADJM.003/R5



For More Information Visit: Inprocorp.com



691-A01-250

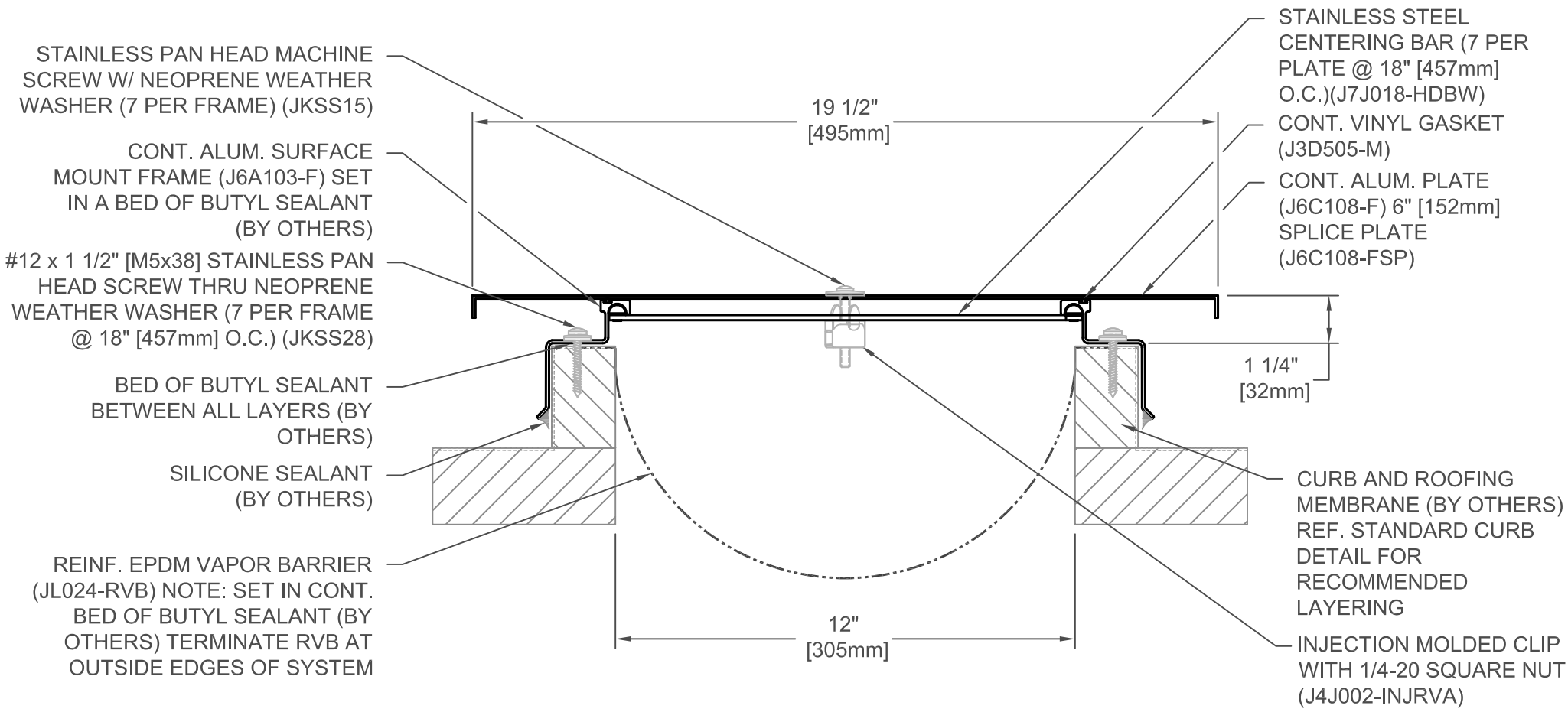
JOINT WIDTH		MOVEMENT ±			
		HORIZONTAL		VERTICAL	
US	mm	US	mm	US	mm
10"	254	5"	127	5"	127

FINISH: MILL
PROJECT:
CUSTOMER:
LOCATION:

APPLICATION-
CURB MOUNTED CENTERING BAR
ROOF/ROOF CONDITION

DATE:	7-21-15
SCALE:	1:4
DOC:	CADJM.003/R5

inpro.
For More Information Visit: Inprocorp.com



691-A01-300

JOINT WIDTH		MOVEMENT ±			
		HORIZONTAL		VERTICAL	
US	mm	US	mm	US	mm
12"	305	6"	152	6"	152

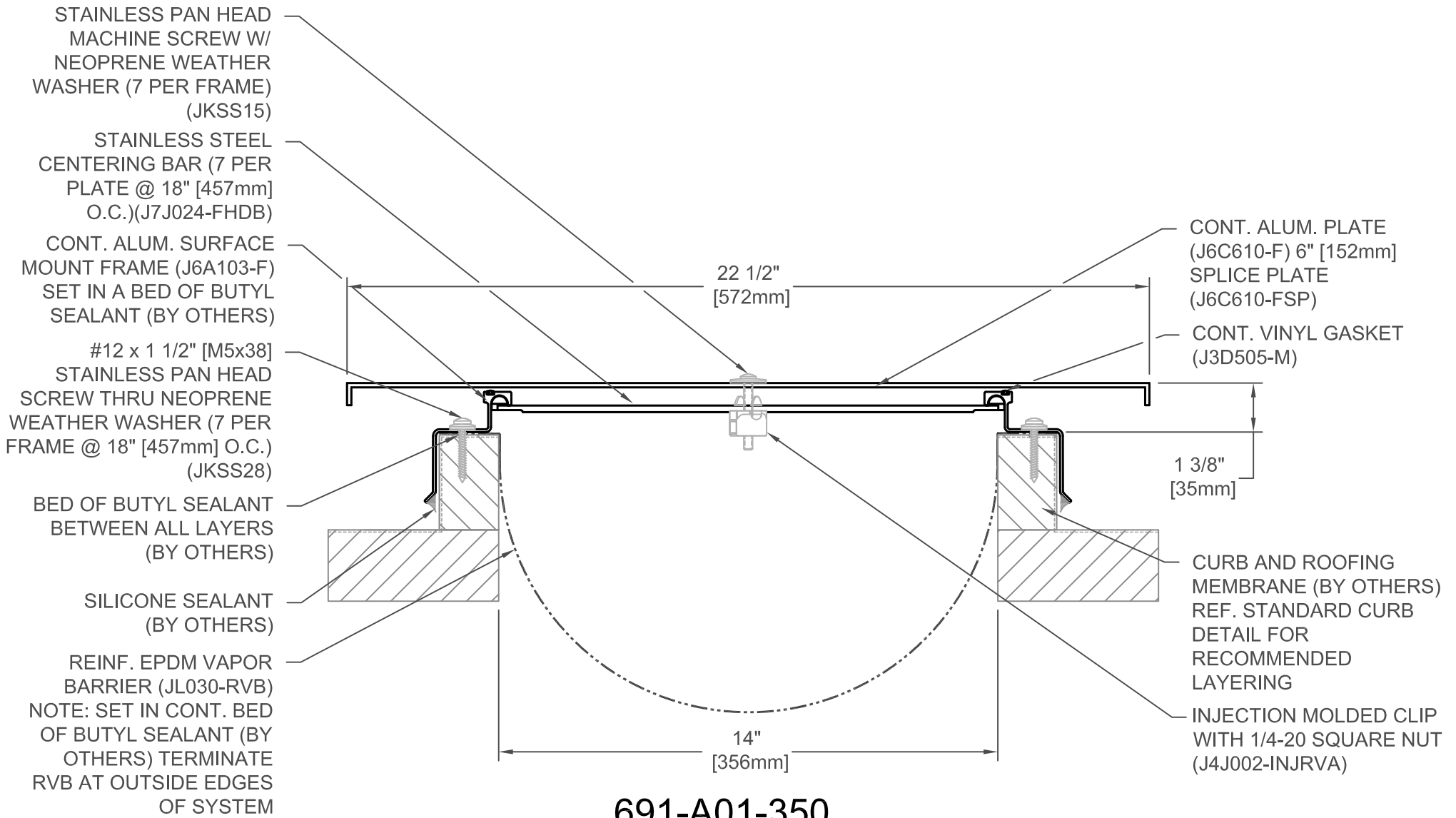
FINISH: MILL
PROJECT:
CUSTOMER:
LOCATION:

APPLICATION-
CURB MOUNTED CENTERING BAR
ROOF/ROOF CONDITION

DATE:	7-21-15
SCALE:	1:4
DOC:	CADJM.003/R5



For More Information Visit: Inprocorp.com



691-A01-350

JOINT WIDTH		MOVEMENT ±			
		HORIZONTAL		VERTICAL	
US	mm	US	mm	US	mm
14"	356	7"	178	7"	178

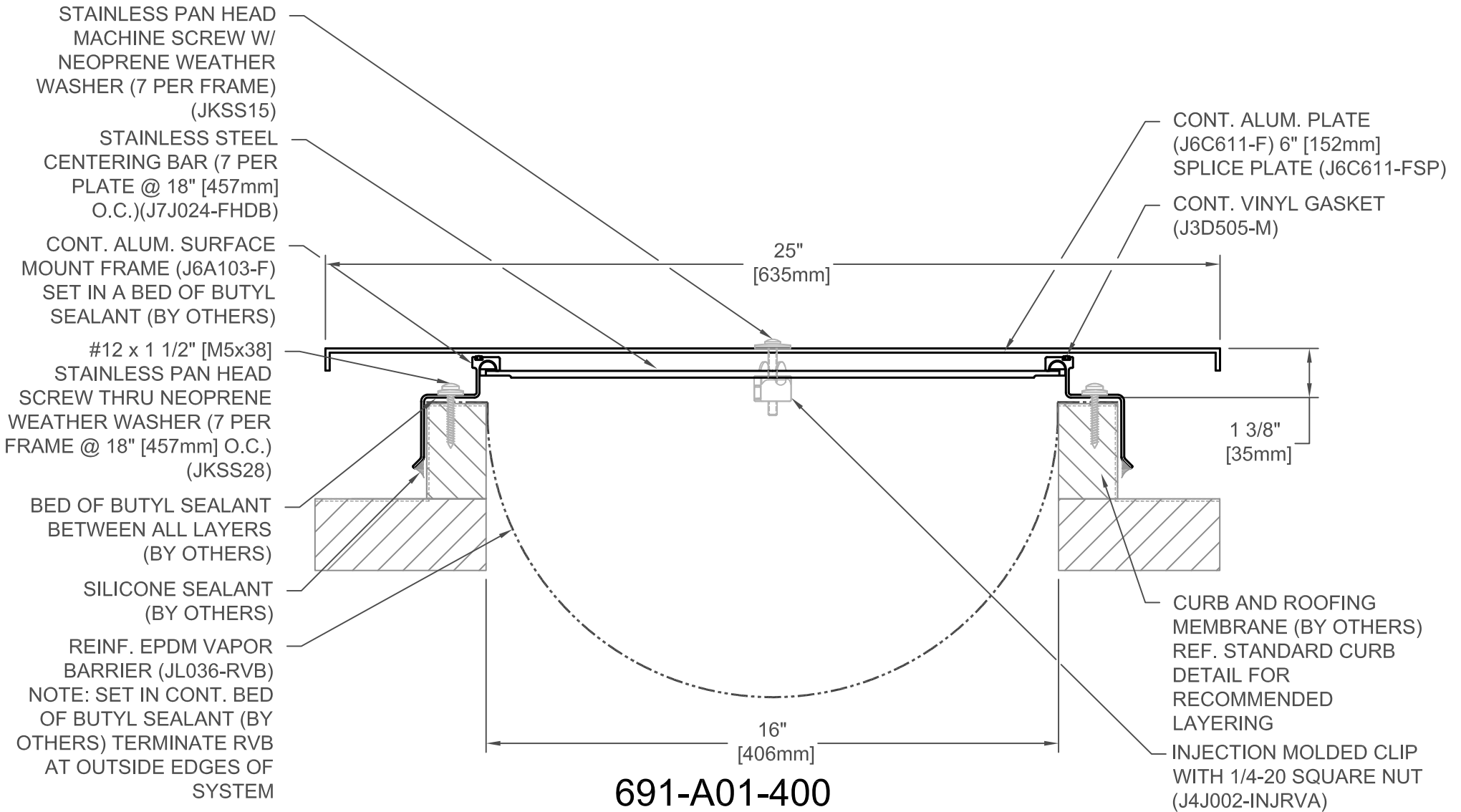
FINISH: MILL
PROJECT:
CUSTOMER:
LOCATION:

APPLICATION-
CURB MOUNTED CENTERING BAR
ROOF/ROOF CONDITION

DATE:	7-21-15
SCALE:	1:4
DOC:	CADJM.003/R5



For More Information Visit: Inprocorp.com



JOINT WIDTH		MOVEMENT ±			
		HORIZONTAL		VERTICAL	
US	mm	US	mm	US	mm
16"	406	8"	203	8"	203

FINISH: MILL
PROJECT:
CUSTOMER:
LOCATION:

APPLICATION-
CURB MOUNTED CENTERING BAR
ROOF/ROOF CONDITION

DATE:	7-21-15
SCALE:	1:4
DOC:	CADJM.003/R5

inpro.
For More Information Visit: Inprocorp.com