

# 691 Series

A01 - Roof to Roof

A02 - Roof to Wall



Movement Rating  $\pm$  50%

## Product Guide



Seismic



Exterior



Fire Rated Option



Vapor Barrier Option

- ▶ Easy onsite assembly and installation
- ▶ Multi-directional seismic movement
- ▶ Moisture barrier included
- ▶ Neoprene weather washers prevent leaking where fasteners penetrate frames/covers
- ▶ 2x wood blocking mount
- ▶ Factory formed transitions available
- ▶ Cover plate available in stainless steel or alternate secondary finishes

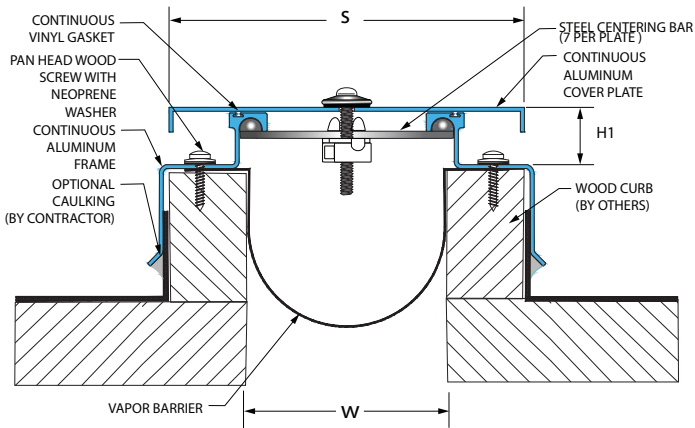
Application	System	W		H1		S		Movement +/-			
		Joint Width		Frame Height 1		Sightline		Horizontal		Vertical	
		US	mm	US	mm	US	mm	US	mm	US	mm
Roof/Roof	691-A01-025	1"	25	1 1/4"	32	4 1/4"	108	1/2"	13	1/2"	13
	691-A01-050	2"	51	1 1/4"	32	5 1/4"	133	1"	25	1"	25
	691-A01-075	3"	76	1 1/4"	32	6 1/4"	159	1 1/2"	38	1 1/2"	38
	691-A01-100	4"	102	1 1/4"	32	7 1/4"	184	2"	51	2"	51
	691-A01-150	6"	152	1 1/4"	32	10 1/2"	267	3"	76	3"	76
	691-A01-200	8"	203	1 1/4"	32	13 1/2"	343	4"	102	4"	102
	691-A01-250	10"	254	1 1/4"	32	16 1/2"	419	5"	127	5"	127
	691-A01-300	12"	305	1 3/8"	35	19 1/2"	495	6"	152	6"	152
	691-A01-350	14"	356	1 3/8"	35	22 1/2"	572	7"	178	7"	178
	691-A01-400	16"	406	1 3/8"	35	25"	635	8"	203	8"	203
Roof/Wall	691-A02-025	1"	25	1 1/4"	32	2 5/8"	67	1/2"	13	1/2"	13
	691-A02-050	2"	51	1 1/4"	32	3 5/8"	92	1"	25	1"	25
	691-A02-075	3"	76	1 1/4"	32	5"	127	1 1/2"	38	1 1/2"	38
	691-A02-100	4"	102	1 1/4"	32	6 1/2"	165	2"	51	2"	51
	691-A02-150	6"	152	1 1/4"	32	9 1/2"	241	3"	76	3"	76
	691-A02-200	8"	203	1 1/4"	32	12 1/2"	318	4"	102	4"	102
	691-A02-250	10"	254	1 1/4"	32	15 1/2"	393	5"	127	5"	127
	691-A01-300	12"	305	1 3/8"	35	18 1/2"	470	6"	152	6"	152
	691-A02-350	14"	356	1 3/8"	35	21 1/2"	546	7"	178	7"	178
	691-A02-400	16"	406	1 3/8"	35	25"	635	8"	203	8"	203

IPC.1619/Rev.8

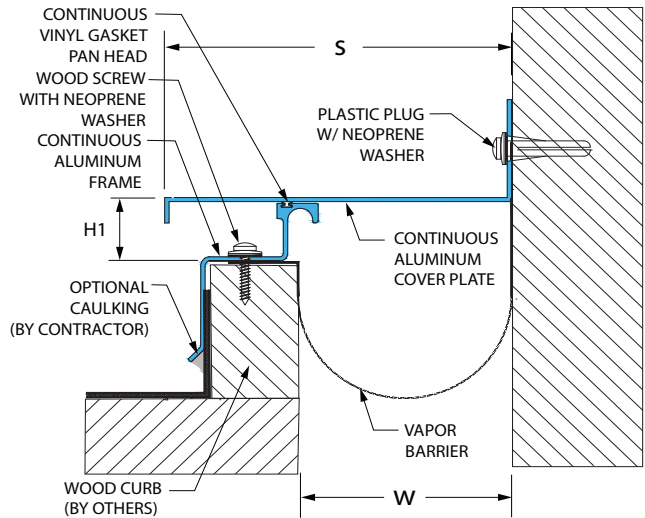
# 691 Series

## Square Curb Mounted Roof Systems

691-A01 Roof/Roof  
(4" (100mm) system shown)



691-A02 Roof/Wall  
(4" (100mm) system shown)



# 691 Series

## System Options

Fire Barrier System  
(4" (691-A01-100) system shown)

