

Installation Instructions

700i/700iW/G2-700i WALL GUARD

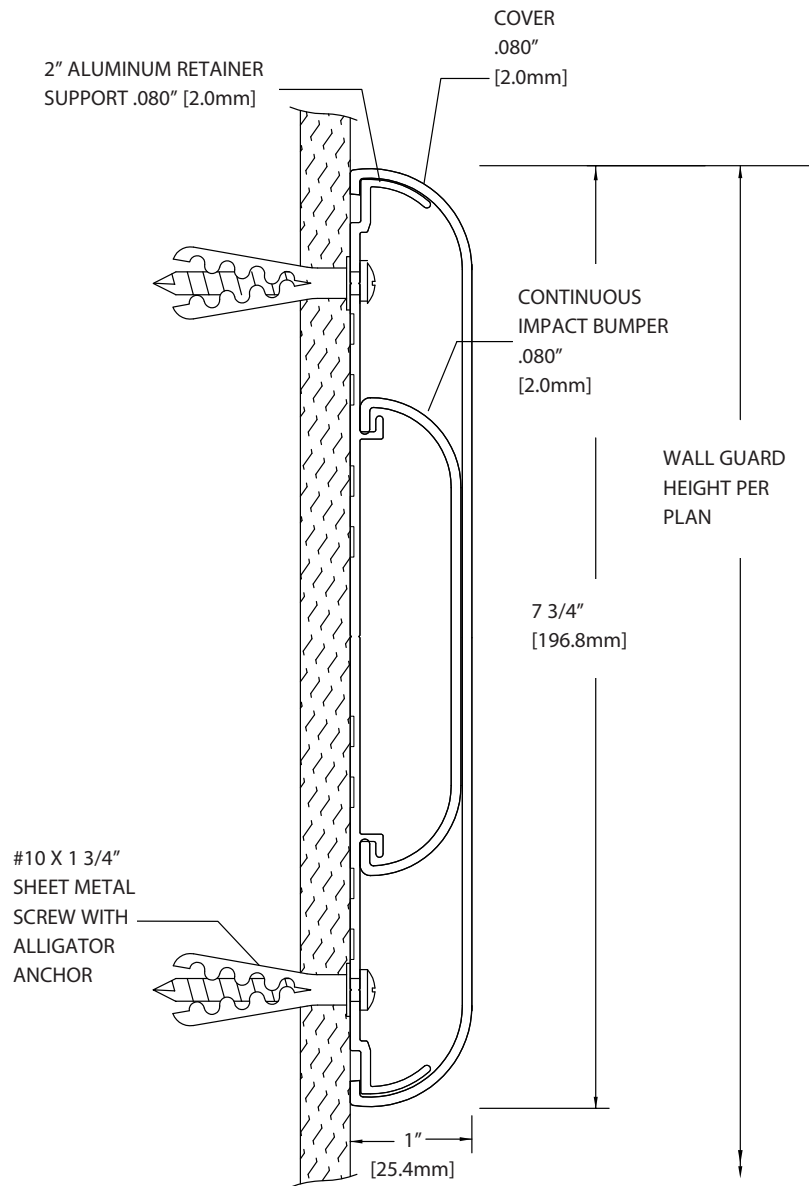
Please read all instructions before installing wallguard.

Important

1. Acclimate materials 24 hrs before installation. Maintain temperature controlled environment after installation
2. Install in accordance with manufacturer's installation instructions. Failure to do so will void the warranty.

Installation tips

1. Cut covers up to 1/16" (1.6mm) longer to ensure a tight fit.
2. Lubricate blades when cutting aluminum to reduce burrs.



SECTION VIEW

Recommended tools

Safety Glasses, Tape Measure, Phillips bit for self drilling and sheet metal screws, Level, Power Drill, Drill Bits - 1/4" masonry (concrete/concrete block) bit, Power Miter Saw, 10" Blade with 60-80 Carbide Tipped Teeth

IPC.361_REV 11

IPC® Door + Wall Protection

inpro.com • 800.222.5556 • 262.679.9010

World Headquarters S80 W18766 Apollo Drive, Muskego, WI 53150 USA

Installation Hotline: 866.394.6776

inpro®

Installation Instructions

700i/700iW/G2-700i WALL GUARD

Please read all instructions before installing wallguard.

Components and fasteners



700V
COVER



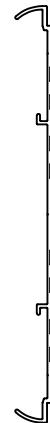
700RVL
OPTIONAL
REVEAL



700B
IMPACT
BUMPER



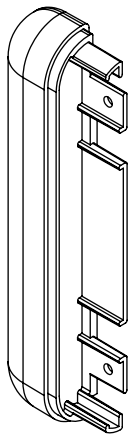
706A
ALUMINUM
SPLICE
SUPPORT



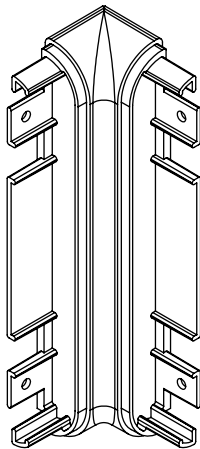
706AI-P
5" [127.0mm]
ALUMINUM
SPLICE



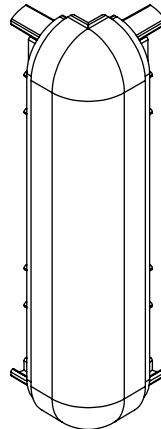
700AI
2" [50.8mm]
INFINITY
RETAINER



701
END CAP



707
INSIDE CORNER



702
OUTSIDE CORNER



#8 x 1 1/2" PHILLIPS INDENTED
HEX WASHER SELF-DRILLING
SCREW



#10 X 1 3/4" SHEET METAL
SCREW



ALLIGATOR
ANCHOR

Conditions	Specified Fasteners	Inpro Part#
Infinity Wall Guard Profile Hardware	#10 x 1 3/4" Phillips Pan Head sheet metal screw, 1/4" Plastic Alligator anchor	HWK-700I
Concrete Hardware for End Caps	#10 x 1 3/4" Phillips Pan Head sheet metal screw, 1/4" Plastic Alligator anchor	HWK-701C
Drywall Hardware for End Caps	#8 1 1/2" Phillips Indented Hex Washer Self-Drilling Screws #2PT ZP	HWK-701D
Concrete Hardware for Corners	#10 x 1 3/4" Phillips Pan Head sheet metal screw, 1/4" Plastic Alligator anchor	HWK-702/707C
Drywall Hardware for Corners	#8 1 1/2" Phillips Indented Hex Washer Self-Drilling Screws #2PT ZP	HWK-702/707DW

IPC® Door + Wall Protection

inpro.com • 800.222.5556 • 262.679.9010

World Headquarters S80 W18766 Apollo Drive, Muskego, WI 53150 USA

Installation Hotline: 866.394.6776

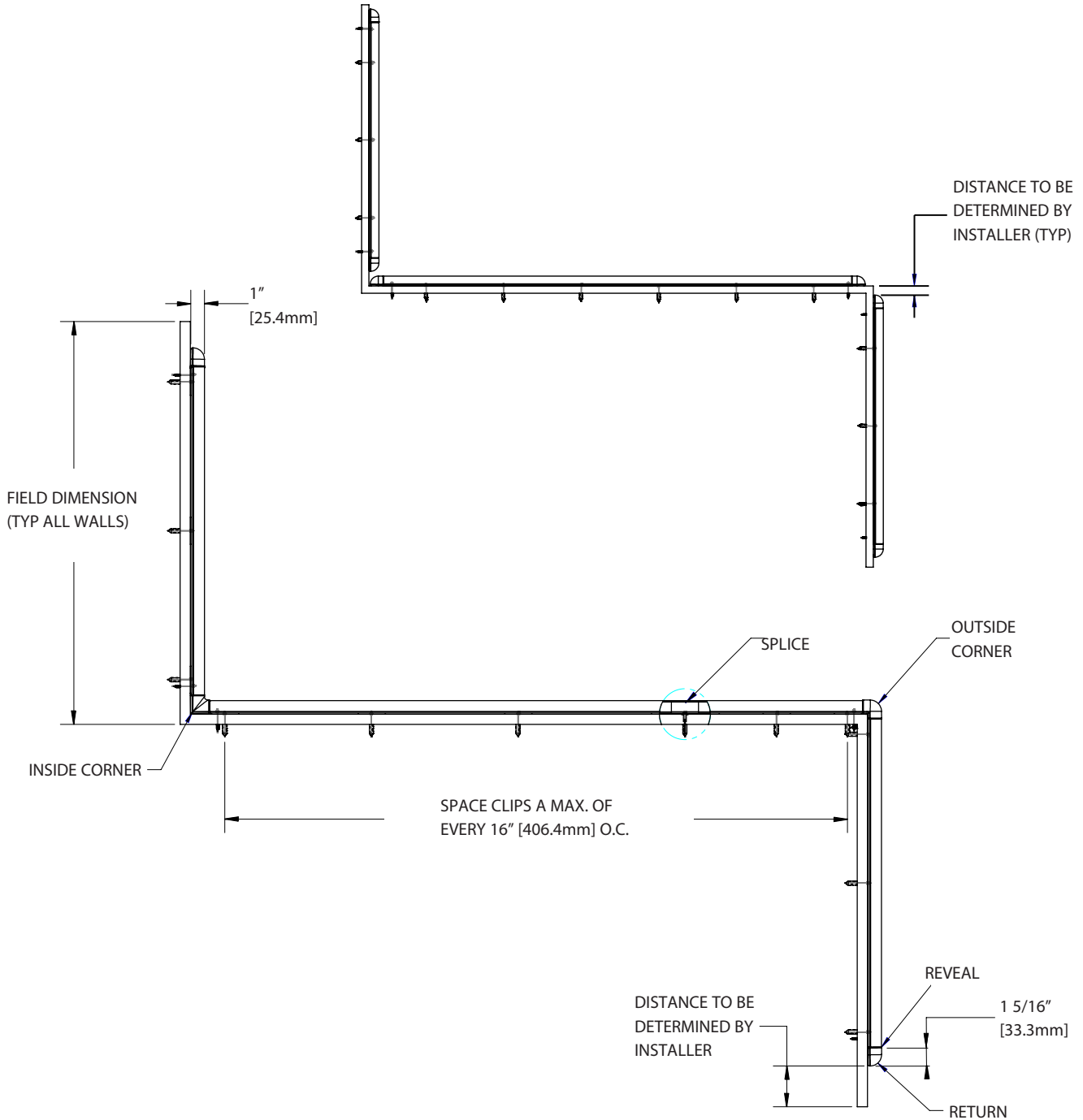
inpro®

Installation Instructions

700i/700iW/G2-700i WALL GUARD

Please read all instructions before installing wallguard.

Layout view



IPC® Door + Wall Protection

inpro.com • 800.222.5556 • 262.679.9010

World Headquarters S80 W18766 Apollo Drive, Muskego, WI 53150 USA

Installation Hotline: 866.394.6776

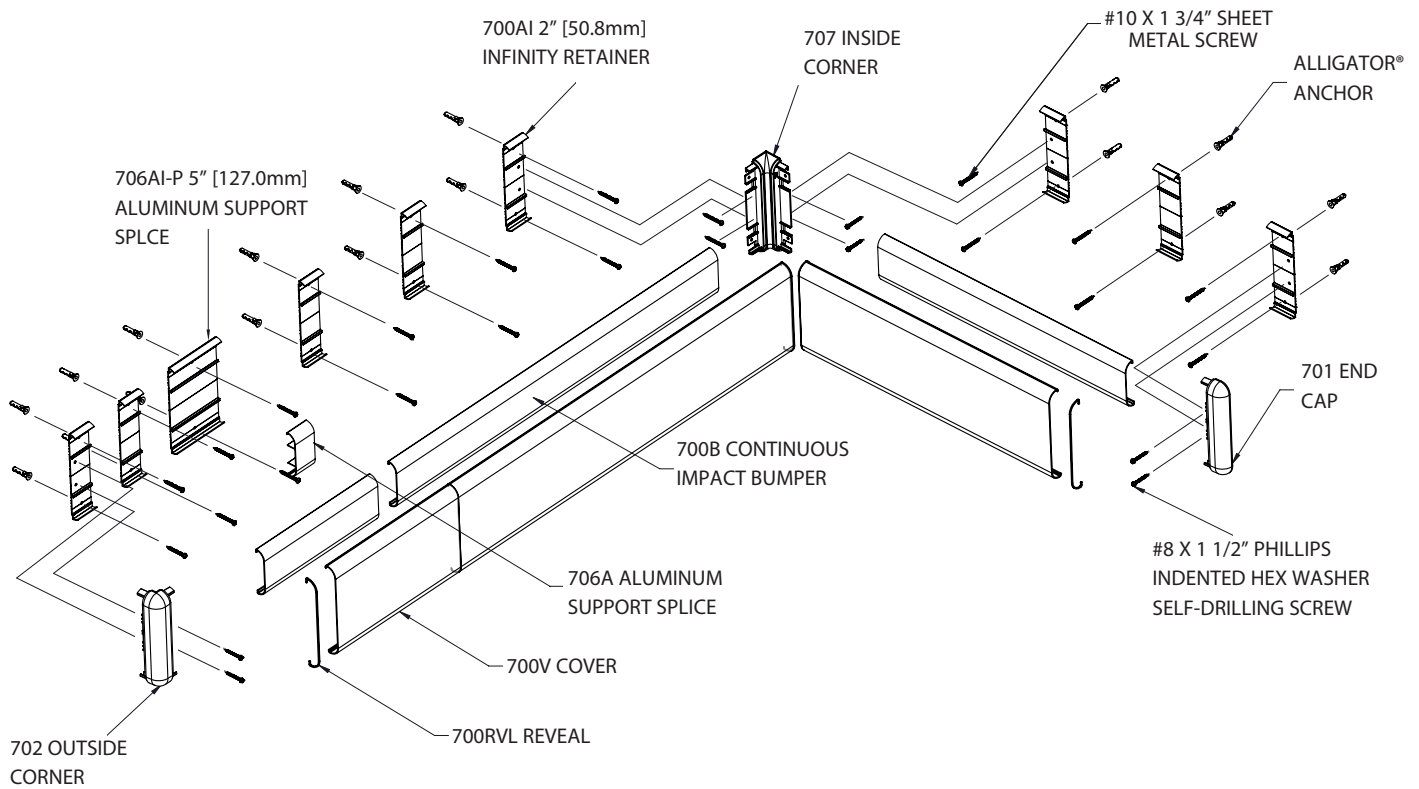
inpro®

Installation Instructions

700i/700iW/G2-700i WALL GUARD

Please read all instructions before installing wallguard.

Exploded view assembly



IPC® Door + Wall Protection

inpro.com • 800.222.5556 • 262.679.9010

World Headquarters S80 W18766 Apollo Drive, Muskego, WI 53150 USA

Installation Hotline: 866.394.6776

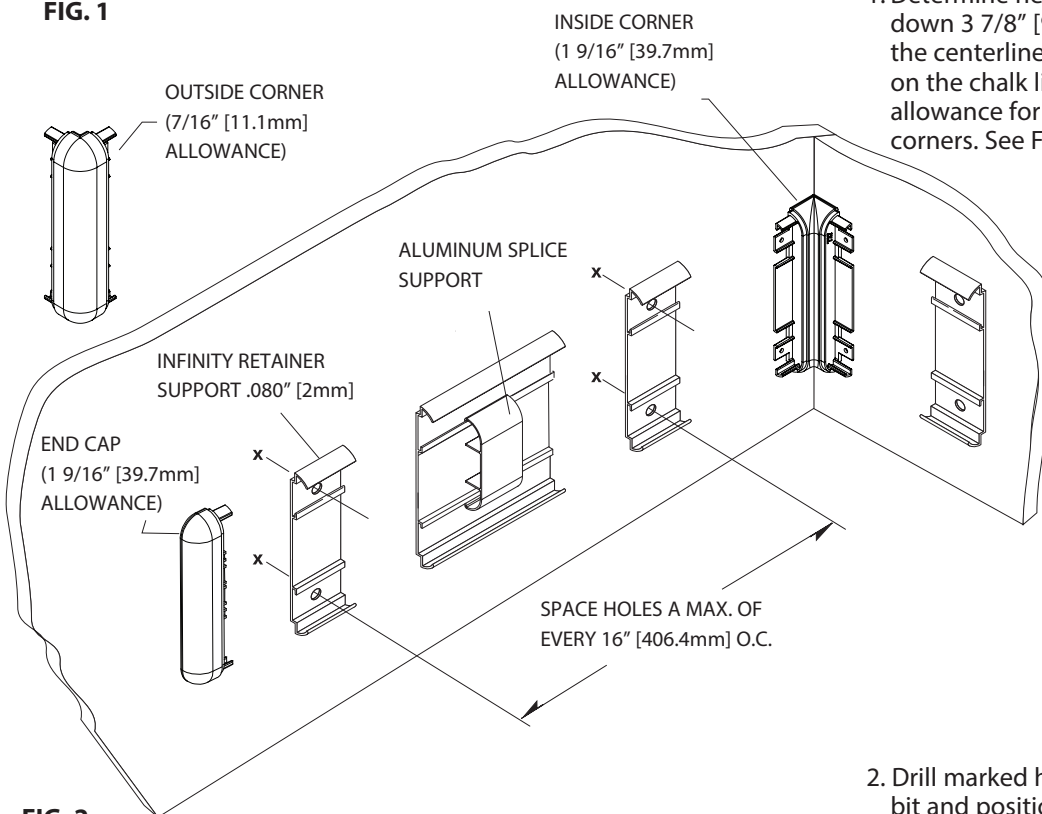
inpro®

Installation Instructions

700i/700iW/G2-700i WALL GUARD

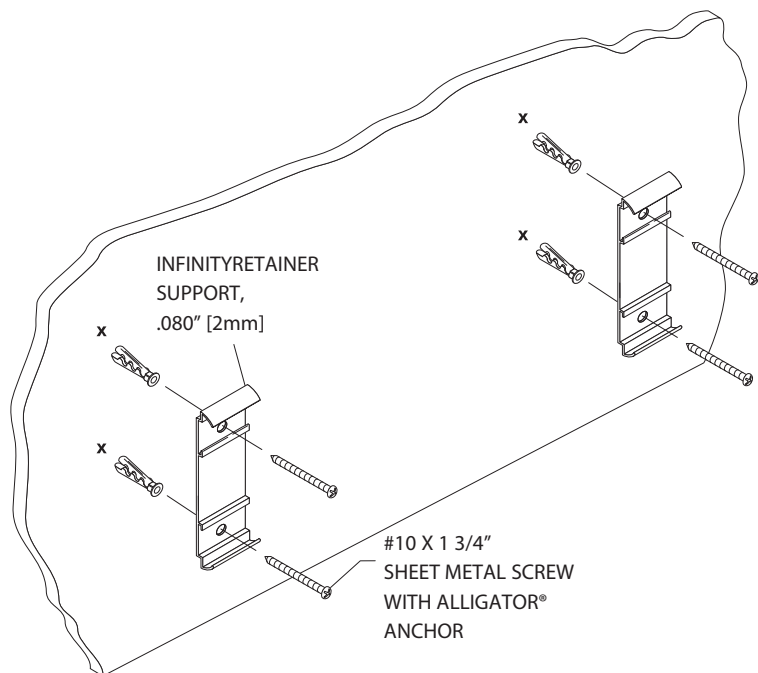
Please read all instructions before installing wallguard.

FIG. 1



1. Determine height of wall guard on wall. Measure down 3 7/8" [98.4mm] and snap chalk line. Position the centerline of the aluminum retainer support on the chalk line to mark mounting holes, leaving allowance for returns, outside corners, and inside corners. See Figure 1.

FIG. 2

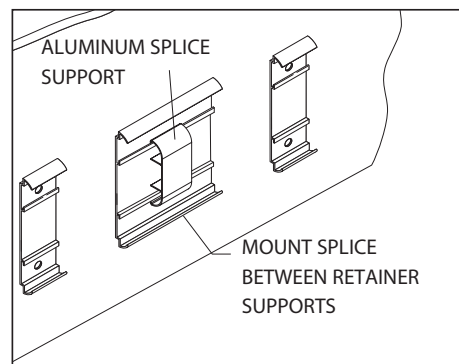


2. Drill marked holes on wall using a 1/4" [6.4mm] drill bit and position Alligator anchors into holes. Mount retainer supports on wall and tighten screws to secure. See Figure 2.

With lengths over 12' [3.66M], an aluminum splice support is recommended between vinyl butt joints for added support. See Figure 2a.

NOTE: For concrete or brick wall installation, drill 1/4" [6mm] holes, 3/8" [10mm] from end of retainer for end caps/corners.

FIG. 2a



IPC® Door + Wall Protection

inpro.com • 800.222.5556 • 262.679.9010

World Headquarters S80 W18766 Apollo Drive, Muskego, WI 53150 USA

Installation Hotline: 866.394.6776

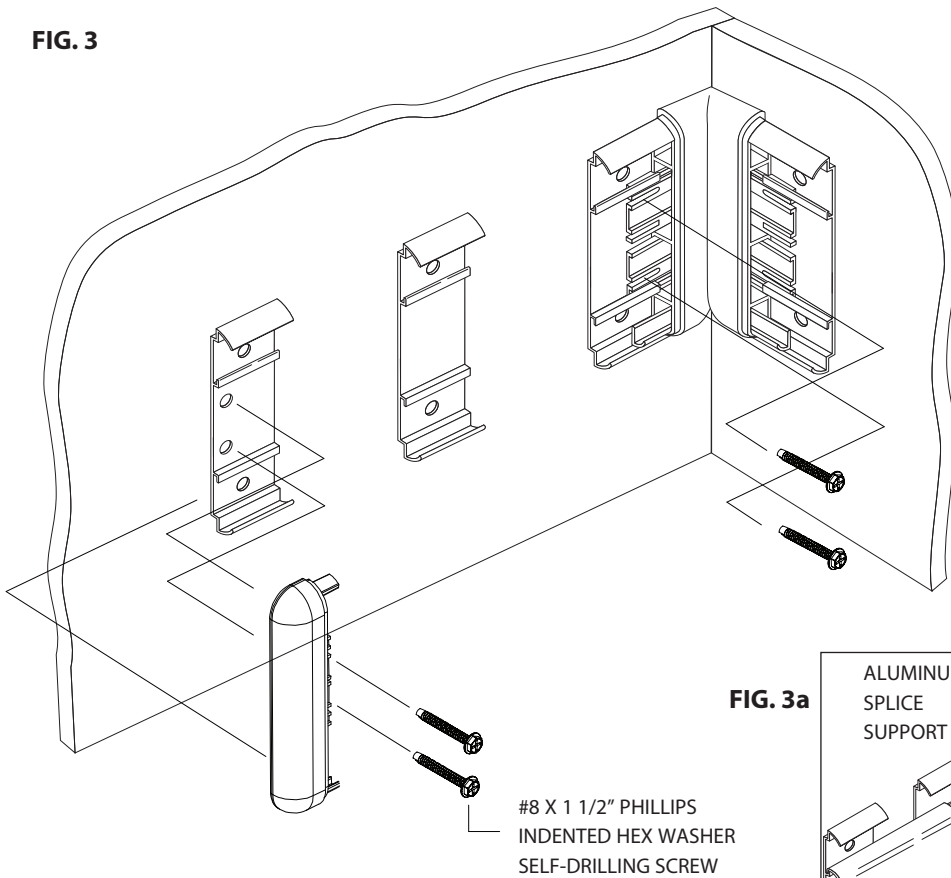
inpro®

Installation Instructions

700i/700iW/G2-700i WALL GUARD

Please read all instructions before installing wallguard.

FIG. 3



- Slide end caps and corners onto the retainer support and secure, leaving a 1/16" [1.5mm] gap between returns/corners and retainer to allow for adjustment. See Figure 3.

With lengths over 12' [3.65M], a splice support is recommended between butt joints for added support. See Figure 3a.

NOTE: For concrete or brick wall installation, use #10 x 1 3/4" Phillips pan head screws to secure retainer to the wall.

FIG. 3a

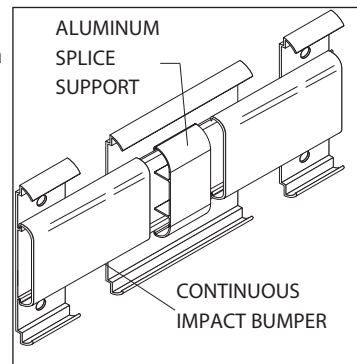
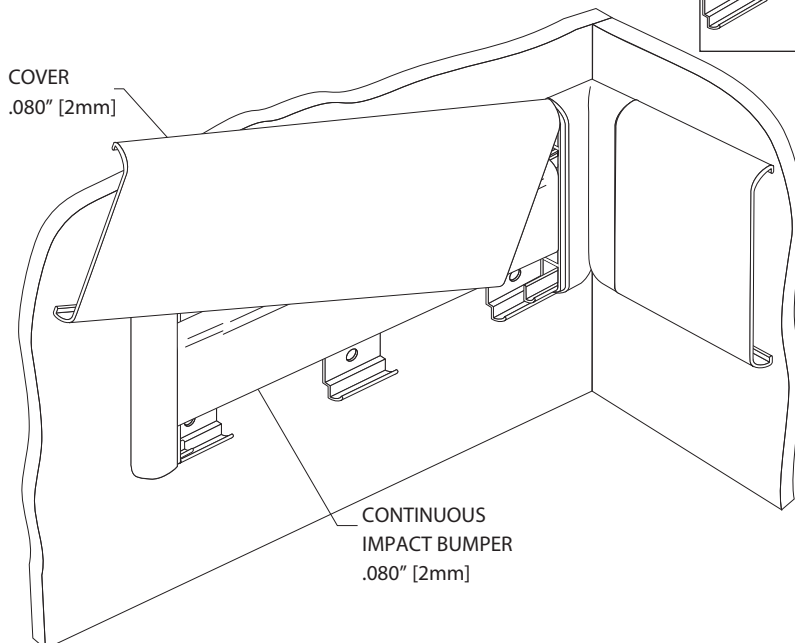


FIG. 4



- Cut the impact bumper to the length between the inside edge of the end caps/corners/splices. Position and snap bumper in place. Cut the cover to length between end caps and/or corners. (Note: trim factory edges square before installation). Position cover on retainer and adjust returns and/or corners for a tight fit. Starting at one end of retainer supports, push cover over the retainer supports until it snaps into place. See Figure 4.

IPC® Door + Wall Protection

inpro.com • 800.222.5556 • 262.679.9010

World Headquarters S80 W18766 Apollo Drive, Muskego, WI 53150 USA

Installation Hotline: 866.394.6776

inpro®