

### 733-A01-025

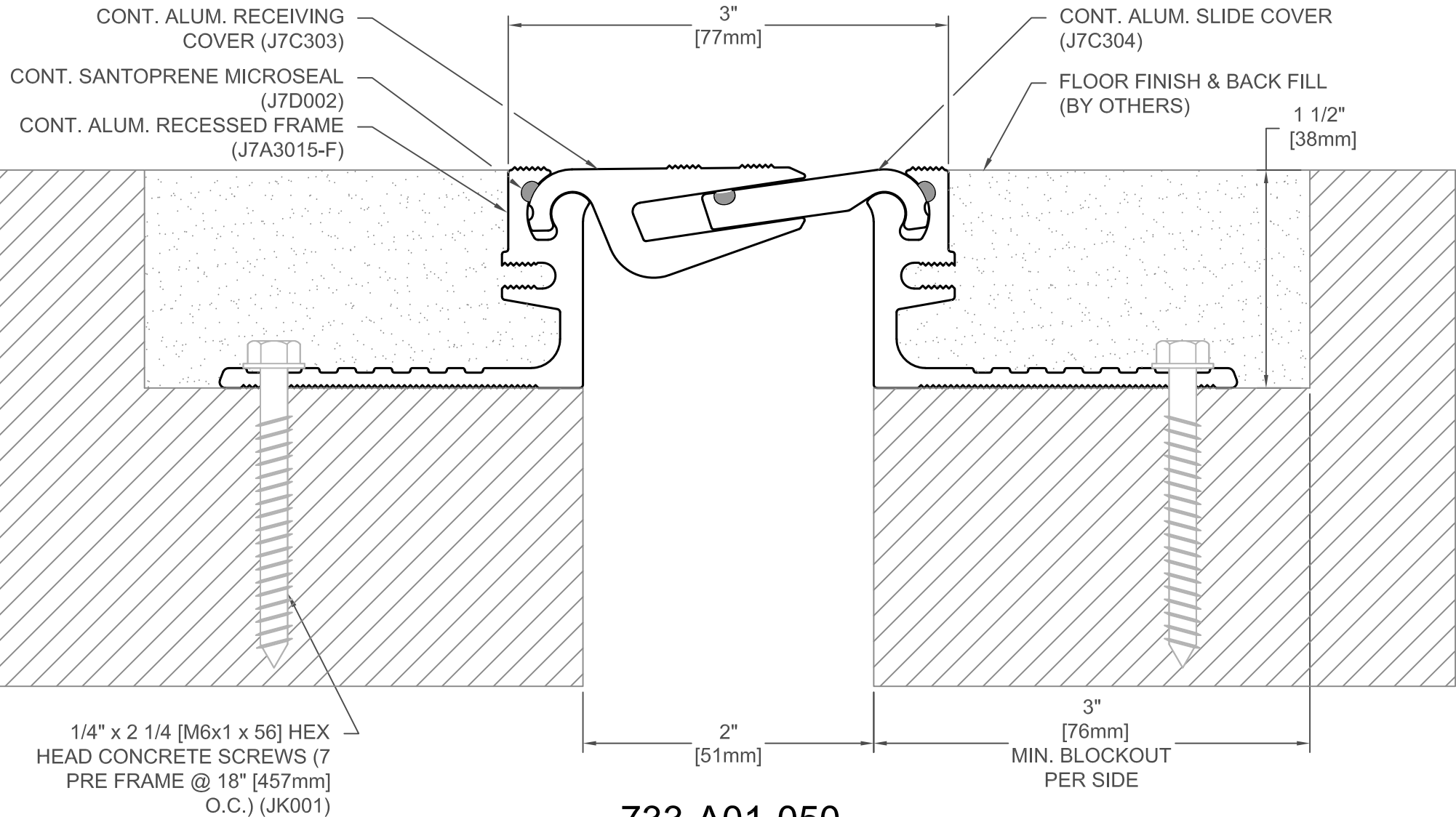
JOINT WIDTH		MOVEMENT ±			
		HORIZONTAL		VERTICAL	
US	mm	US	mm	US	mm
1"	25	3/16"	5	3/16"	5

FINISH: MILL
PROJECT:
CUSTOMER:
LOCATION:

APPLICATION-  
FLOOR/FLOOR HEAVY DUTY  
RECESSED MOUNT SLIDE PLATE

DATE:	10/16/17
SCALE:	1:1
DOC:	CADJM.194/R 1

**inpro.**  
For More Information Visit: [Inprocorp.com](http://Inprocorp.com)



### 733-A01-050

JOINT WIDTH		MOVEMENT ±			
		HORIZONTAL		VERTICAL	
US	mm	US	mm	US	mm
2"	50	1/2"	12	1/2"	12

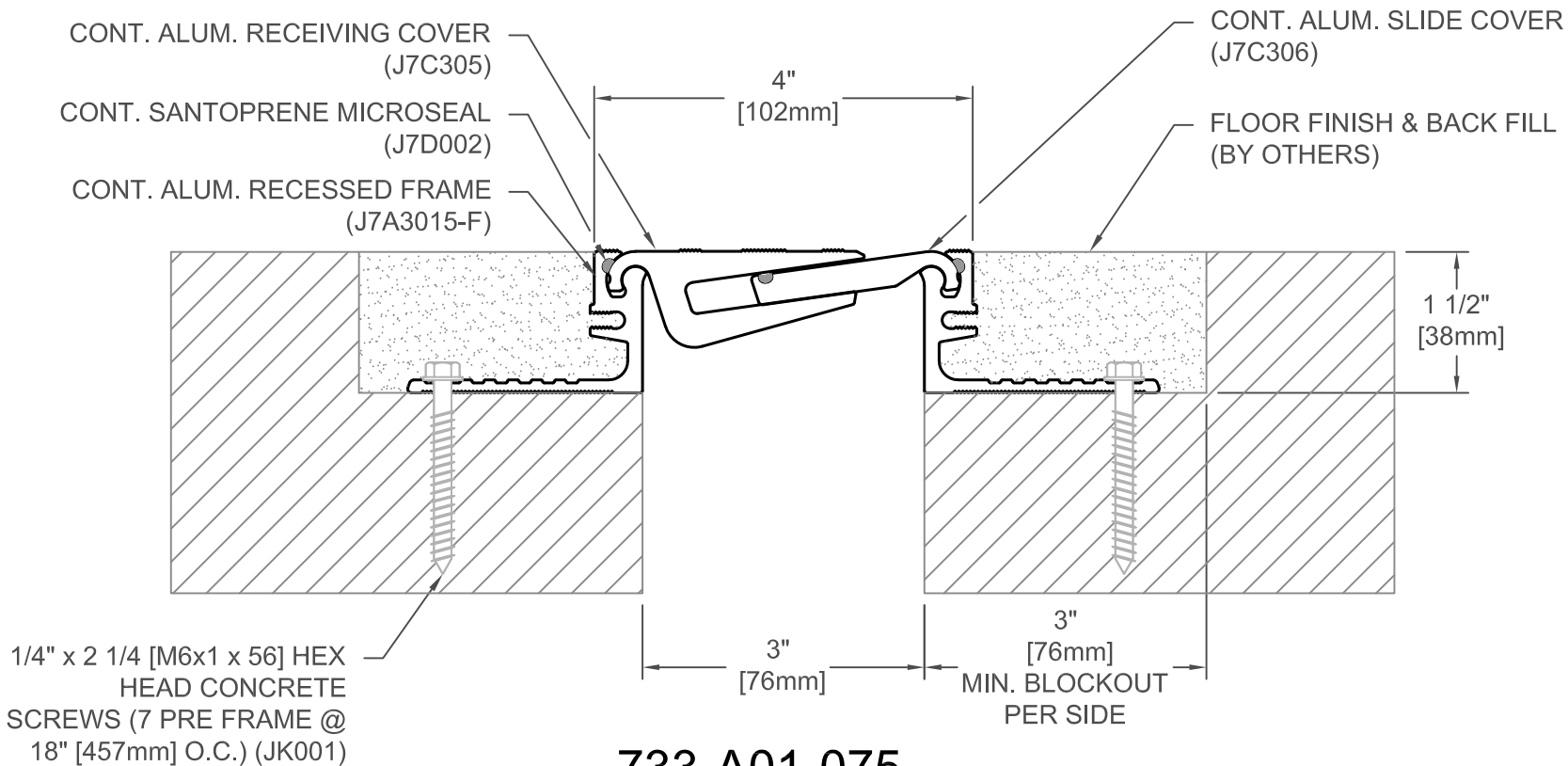
FINISH: MILL
PROJECT:
CUSTOMER:
LOCATION:

APPLICATION-  
FLOOR/FLOOR HEAVY DUTY  
RECESSED MOUNT SLIDE PLATE

DATE:	10/16/17
SCALE:	1:1
DOC:	CADJM.194/R 1



For More Information Visit: [Inprocorp.com](http://Inprocorp.com)



### 733-A01-075

JOINT WIDTH		MOVEMENT ±			
		HORIZONTAL		VERTICAL	
US	mm	US	mm	US	mm
3"	75	3/4"	20	3/4"	20

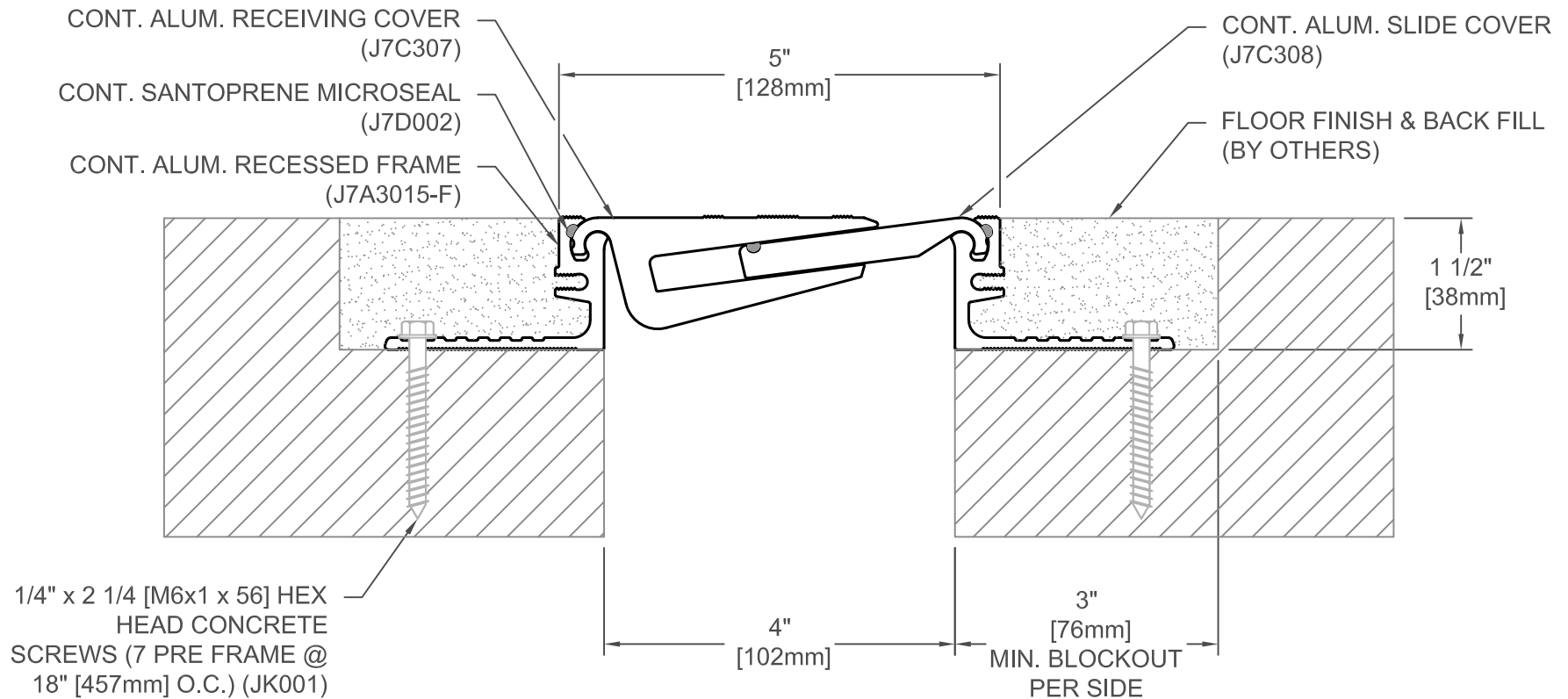
FINISH: MILL
PROJECT:
CUSTOMER:
LOCATION:

APPLICATION-  
FLOOR/FLOOR HEAVY DUTY  
RECESSED MOUNT SLIDE PLATE

DATE:	10/16/17
SCALE:	1:2
DOC:	CADJM.194/R 1



For More Information Visit: [Inprocorp.com](http://Inprocorp.com)



### 733-A01-100

JOINT WIDTH		MOVEMENT ±			
		HORIZONTAL		VERTICAL	
US	mm	US	mm	US	mm
4"	100	1"	25	1"	25

FINISH: MILL
PROJECT:
CUSTOMER:
LOCATION:

APPLICATION-  
FLOOR/FLOOR HEAVY DUTY  
RECESSED MOUNT SLIDE PLATE

DATE:	10/16/17
SCALE:	1:2
DOC:	CADJM.194/R 1



For More Information Visit: [Inprocorp.com](http://Inprocorp.com)