

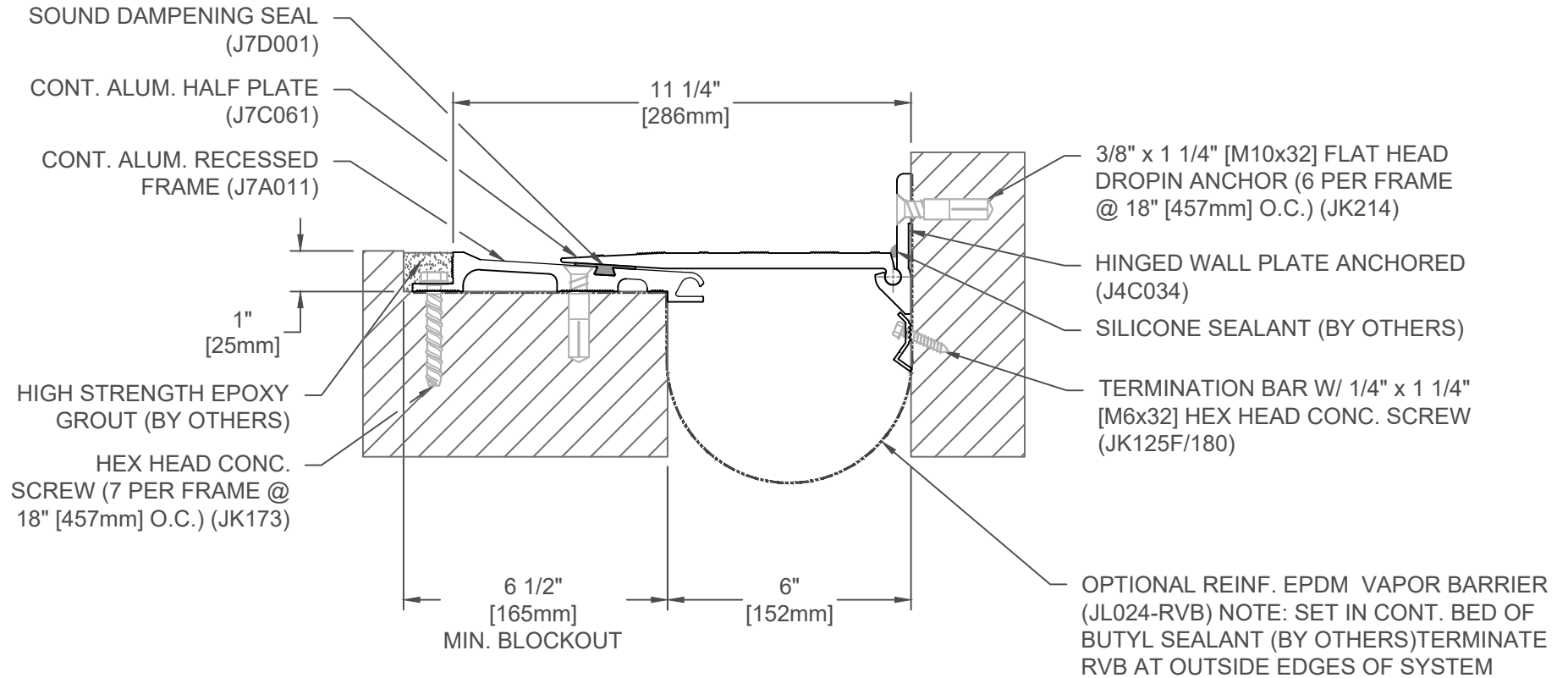
### 787-A02-100

JOINT WIDTH		MOVEMENT ±			
US	mm	HORIZONTAL		VERTICAL	
US	mm	US	mm	US	mm
4"	102	1"	25	1"	25

FINISH: MILL
PROJECT:
CUSTOMER:
LOCATION:

APPLICATION-  
FLOOR TO WALL FLOOR  
PARKING STRUCTURE

DATE:	4-29-24
SCALE:	1:2
DOCCADJM.042/R11	



## 787-A02-150

JOINT WIDTH		MOVEMENT ±			
		HORIZONTAL		VERTICAL	
US	mm	US	mm	US	mm
6"	152	1 1/2"	38	1 1/2"	38

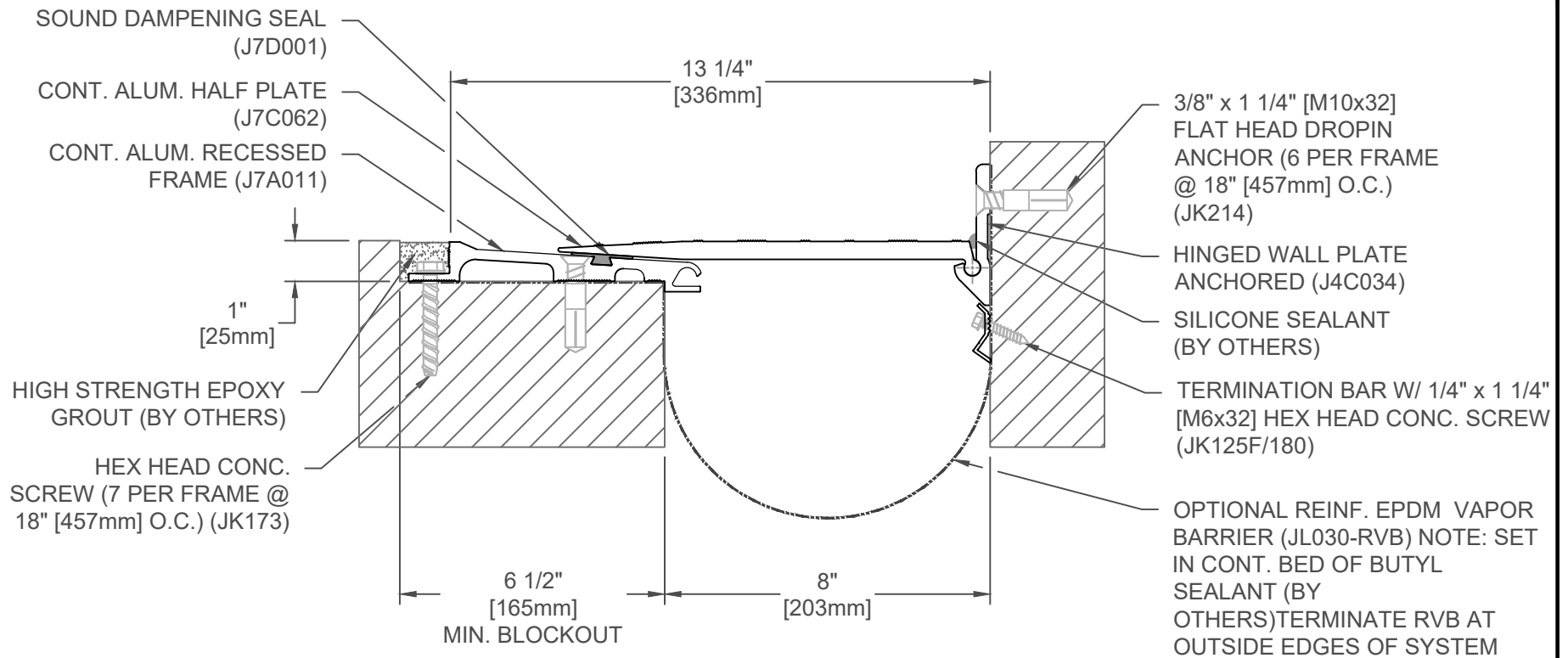
FINISH: MILL
PROJECT:
CUSTOMER:
LOCATION:

APPLICATION-  
FLOOR TO WALL  
PARKING STRUCTURE

DATE:	4-29-24
SCALE:	1:4
DOCCADJM.042/R11	

inpro.

For More Information Visit: [Inprocorp.com](http://Inprocorp.com)



## 787-A02-200

JOINT WIDTH		MOVEMENT ±			
		HORIZONTAL		VERTICAL	
US	mm	US	mm	US	mm
8"	203	2"	51	2"	51

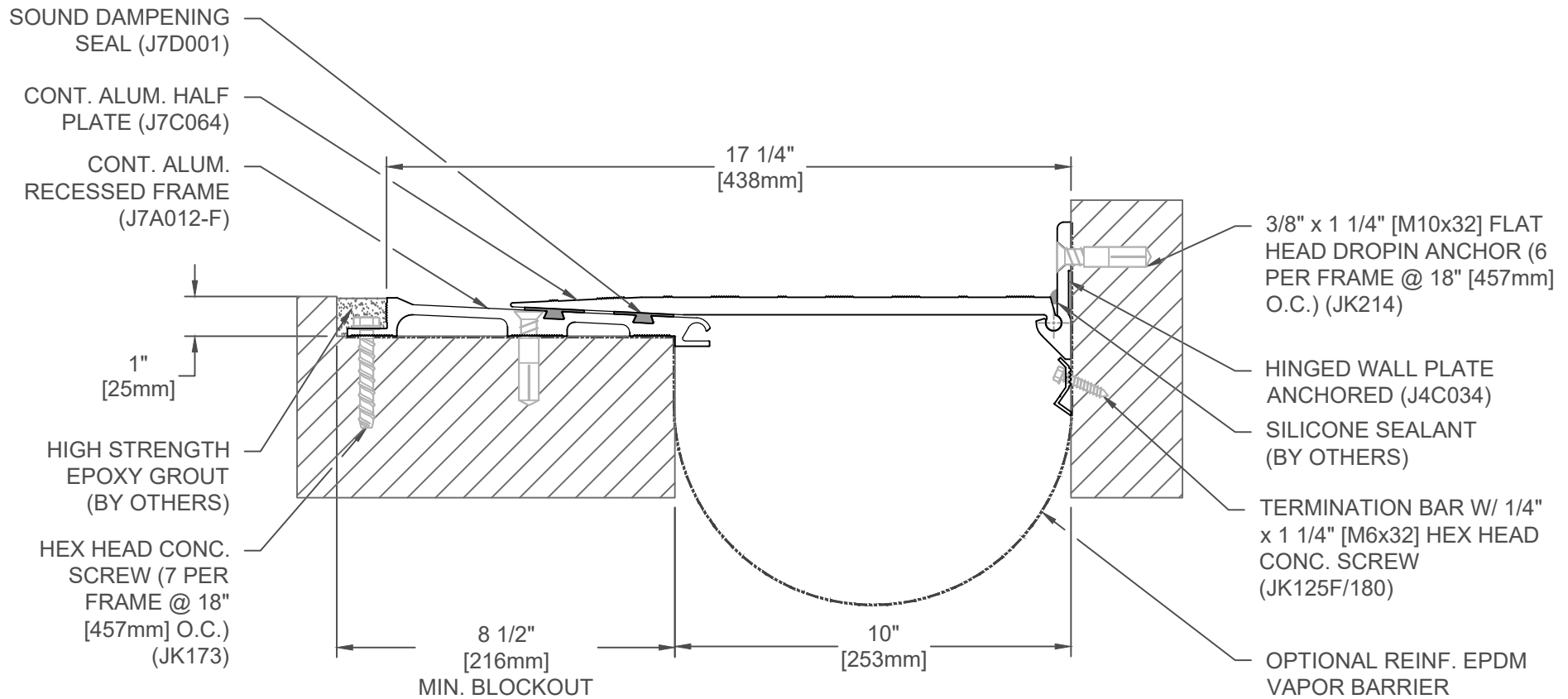
FINISH: MILL
PROJECT:
CUSTOMER:
LOCATION:

APPLICATION-  
FLOOR TO WALL  
PARKING STRUCTURE

DATE:	4-29-24
SCALE:	1:4
DOCCADJM.042/R11	

**inpro.**

For More Information Visit: [Inprocorp.com](http://Inprocorp.com)



### 787-A02-250

JOINT WIDTH		MOVEMENT ±			
		HORIZONTAL		VERTICAL	
US	mm	US	mm	US	mm
10"	254	2 1/2"	64	2 1/2"	64

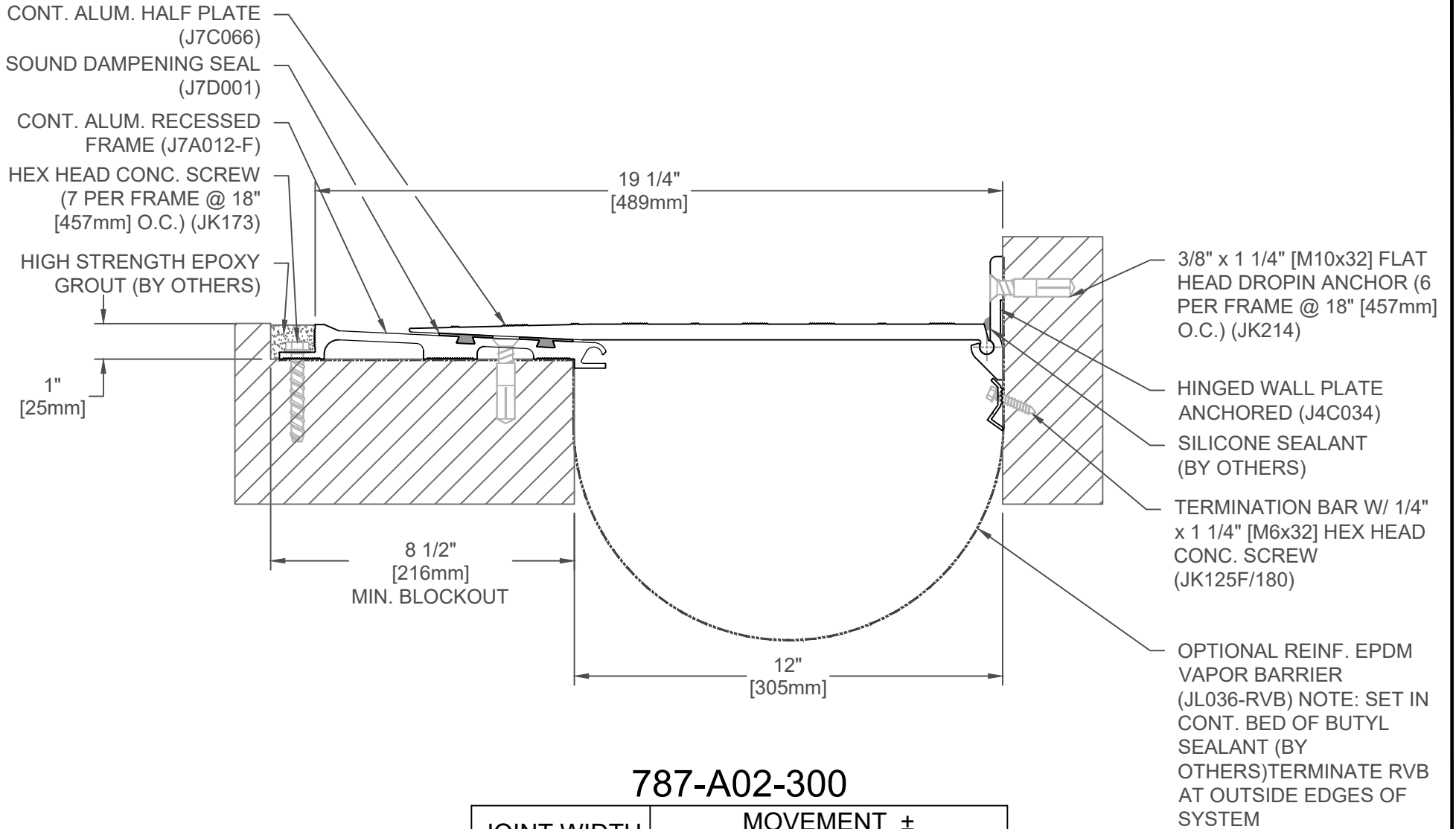
FINISH: MILL
PROJECT:
CUSTOMER:
LOCATION:

APPLICATION-  
FLOOR TO WALL  
PARKING STRUCTURE

DATE:	4-29-24
SCALE:	1:4
DOCCADJM.042/R11	

**inpro.**

For More Information Visit: [Inprocorp.com](http://Inprocorp.com)



## 787-A02-300

JOINT WIDTH		MOVEMENT ±			
		HORIZONTAL		VERTICAL	
US	mm	US	mm	US	mm
12"	305	3"	76	3"	76

FINISH: MILL
PROJECT:
CUSTOMER:
LOCATION:

APPLICATION-  
FLOOR TO WALL  
PARKING STRUCTURE

DATE:	4-29-24
SCALE:	1:4
DOCCADJM.042/R11	

**inpro.**

For More Information Visit: [Inprocorp.com](http://Inprocorp.com)