

Installation Instructions

800 Bed Locator

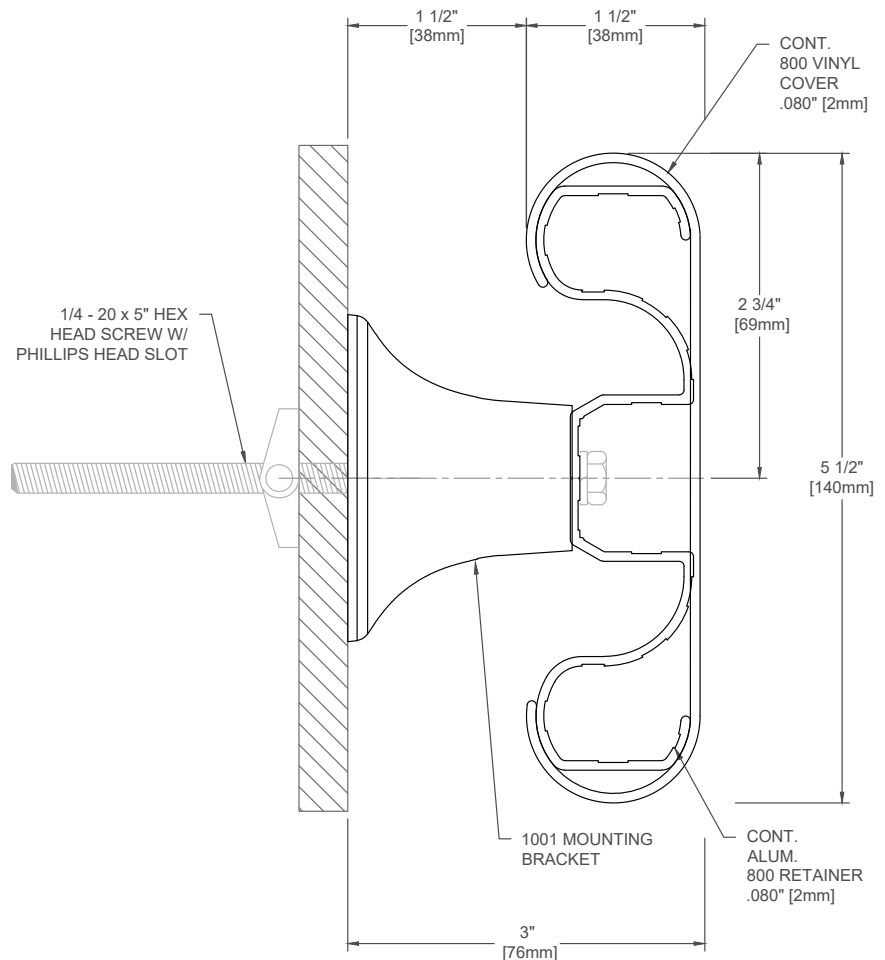
Please read all instructions before installing wallguard.

Important

1. Acclimate materials 24 hrs before installation. Maintain temperature controlled environment after installation.
2. Install in accordance with manufacturer's installation instructions. Failure to do so will void the warranty.

Installation tips

1. Cut covers up to 1/16" [1.6mm] longer to ensure a tight fit.
2. Lubricate blades when cutting aluminum to reduce burrs.



SECTION VIEW

RECOMMENDED TOOLS

Safety Glasses, Tape Measure, 3/8" socket for machine screw hex bolt, 7/16" socket for wood screw hex bolt Level, Power Drill, Drill Bits - 1/4" masonry (concrete/concrete block), Power Miter Saw, 10" Blade with 60-80 Carbide Tipped Teeth

IPC.3545/REV.1

IPC® Door + Wall Protection

inpro.com • 800.222.5556 • 262.679.9010

World Headquarters S80 W18766 Apollo Drive, Muskego, WI 53150 USA

Installation Hotline: 866.394.6776

inpro®

Installation Instructions

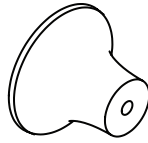
800 Bed Locator

Please read all instructions before installing wallguard.

Components and fasteners



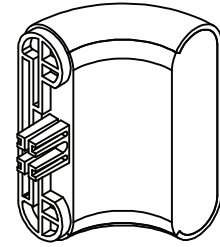
800A
CONTINUOUS
ALUMINUM RETAINER



1001
MOUNTING BRACKET



800V
COVER



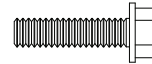
802
RETURN



1/4"
LOCK WASHER
SPRING REGULAR



1/4-20
FLANGED SCREW
HEX NUT



1/4-20 X 1
HEX WASHER
SCREW

Wall Condition	Specified Fasteners	Inpro Part #
Steel Stud/Gypsum Wall	1/4-20 x 5" Phillips hex head Bolt with toggle wing and lock washer	HWK-1001D
Concrete/Concrete Block	1/4-20 x 5" Phillips hex head bolt with lead anchor and lock washer	HWK-1001C
Wood Stud/Gypsum Wall	1/4" x 5" Hex Head Wood Screw and lock washer	HWK-1001W
16 gauge steel Backer/Gypsum wall	#14 X 4" Indented hex washer, zink-plated TEK SCREW	HW69
Steel Stud or Metal Backer/Drywall (OSHPD)	1/4-20 x 5" Phillips hex head Bolt with lock washer and 1/4" Hilti Toggler	HWK-1001OD
Concrete/Concrete Block (OSHPD)	1/4" x 4" Torx Hex Washer Head Screw (Hilti Kwik-Con II) and lock washer	HWK-1001OC
Wood Stud or Wood Backer/Gypsum Wall (OSHPD)	1/4" x 5" Hex Head Wood Screw and lock washer	HWK-1001OW

IPC® Door + Wall Protection

inpro.com • 800.222.5556 • 262.679.9010

World Headquarters S80 W18766 Apollo Drive, Muskego, WI 53150 USA

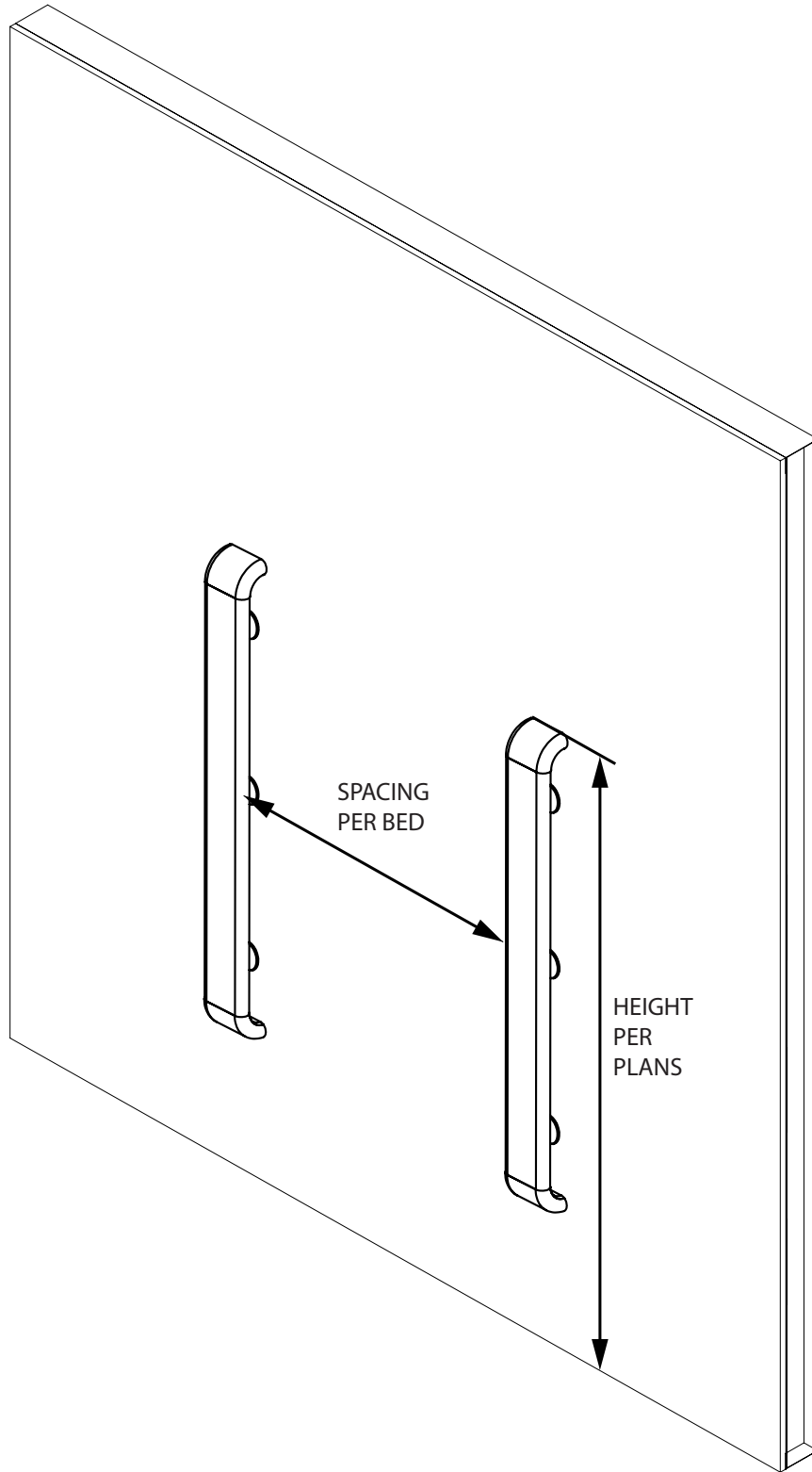
Installation Hotline: 866.394.6776

inpro®

Installation Instructions

800 Bed Locator

Please read all instructions before installing wallguard.



IPC® Door + Wall Protection

inpro.com • 800.222.5556 • 262.679.9010

World Headquarters S80 W18766 Apollo Drive, Muskego, WI 53150 USA

Installation Hotline: 866.394.6776

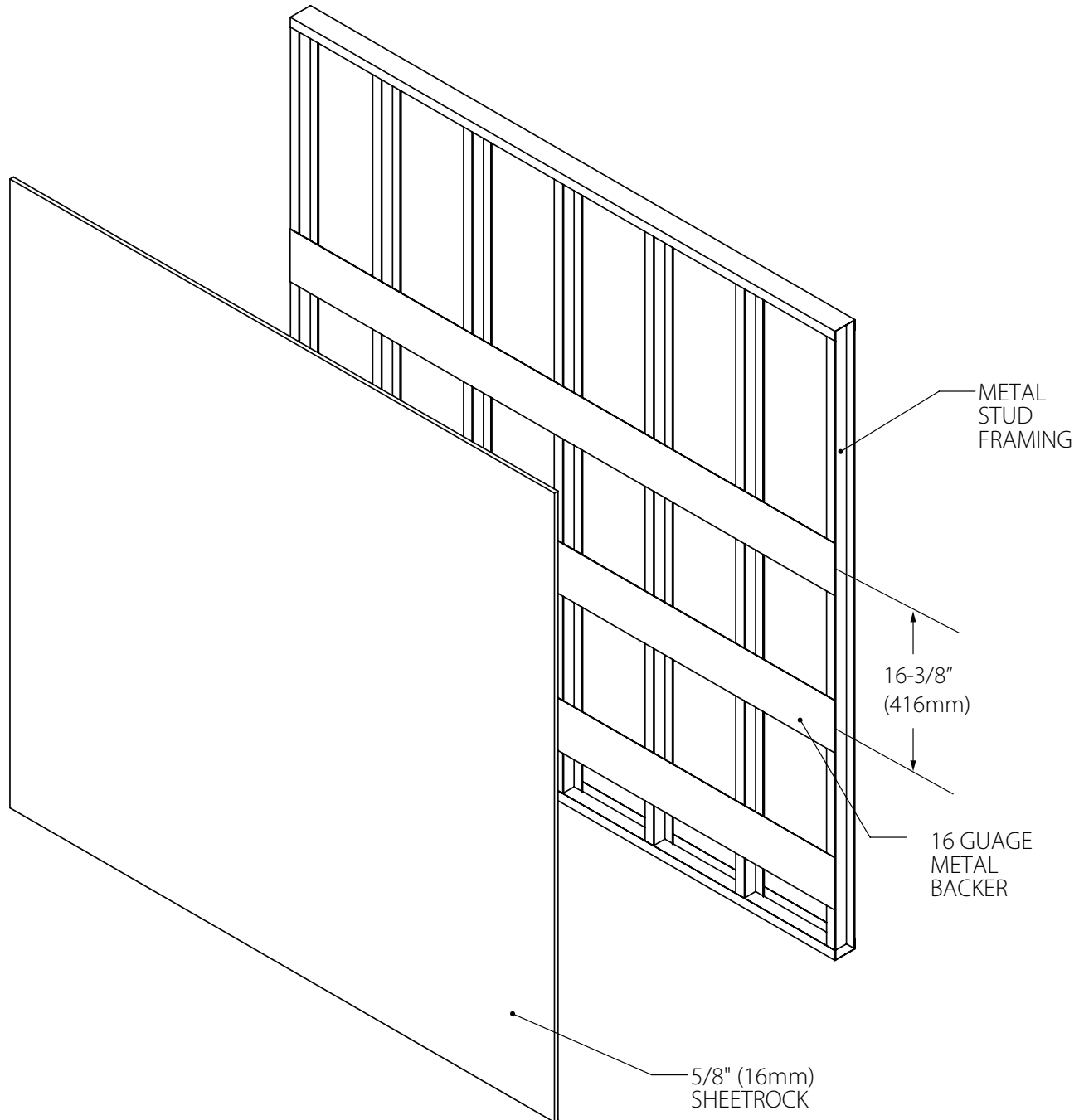
inpro®

Installation Instructions

800 Bed Locator

Please read all instructions before installing wallguard.

1. Construct the wall with metal studs and 16 guage metal backer. Locate backer so brackets are centered over the metal backer.



IPC® Door + Wall Protection

inpro.com • 800.222.5556 • 262.679.9010

World Headquarters S80 W18766 Apollo Drive, Muskego, WI 53150 USA

Installation Hotline: 866.394.6776

inpro®

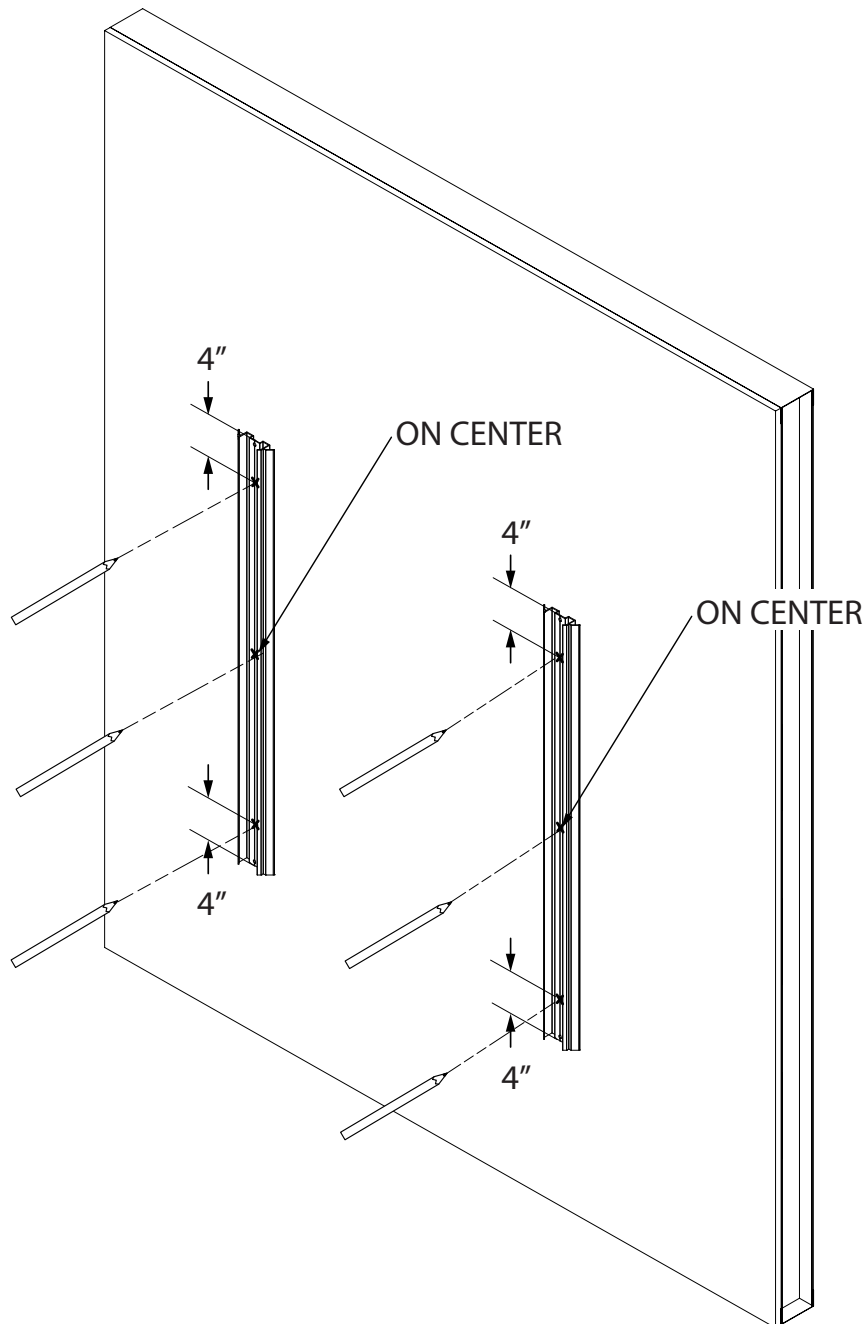
Installation Instructions

800 Bed Locator

Please read all instructions before installing wallguard.

2. Determine the location of the bedlocator on the wall. Cut the aluminum retainer to length. Drill holes in the aluminum retainer for the brackets and the returns. Brackets are spaced 4" (102mm) from each end and one in the middle of the aluminum retainer.

3. Transfer the bracket hole locations from the aluminum retainer to the wall. Drill 3/4" (19mm) holes in the wall for the brackets.



IPC® Door + Wall Protection

inpro.com • 800.222.5556 • 262.679.9010

World Headquarters S80 W18766 Apollo Drive, Muskego, WI 53150 USA

Installation Hotline: 866.394.6776

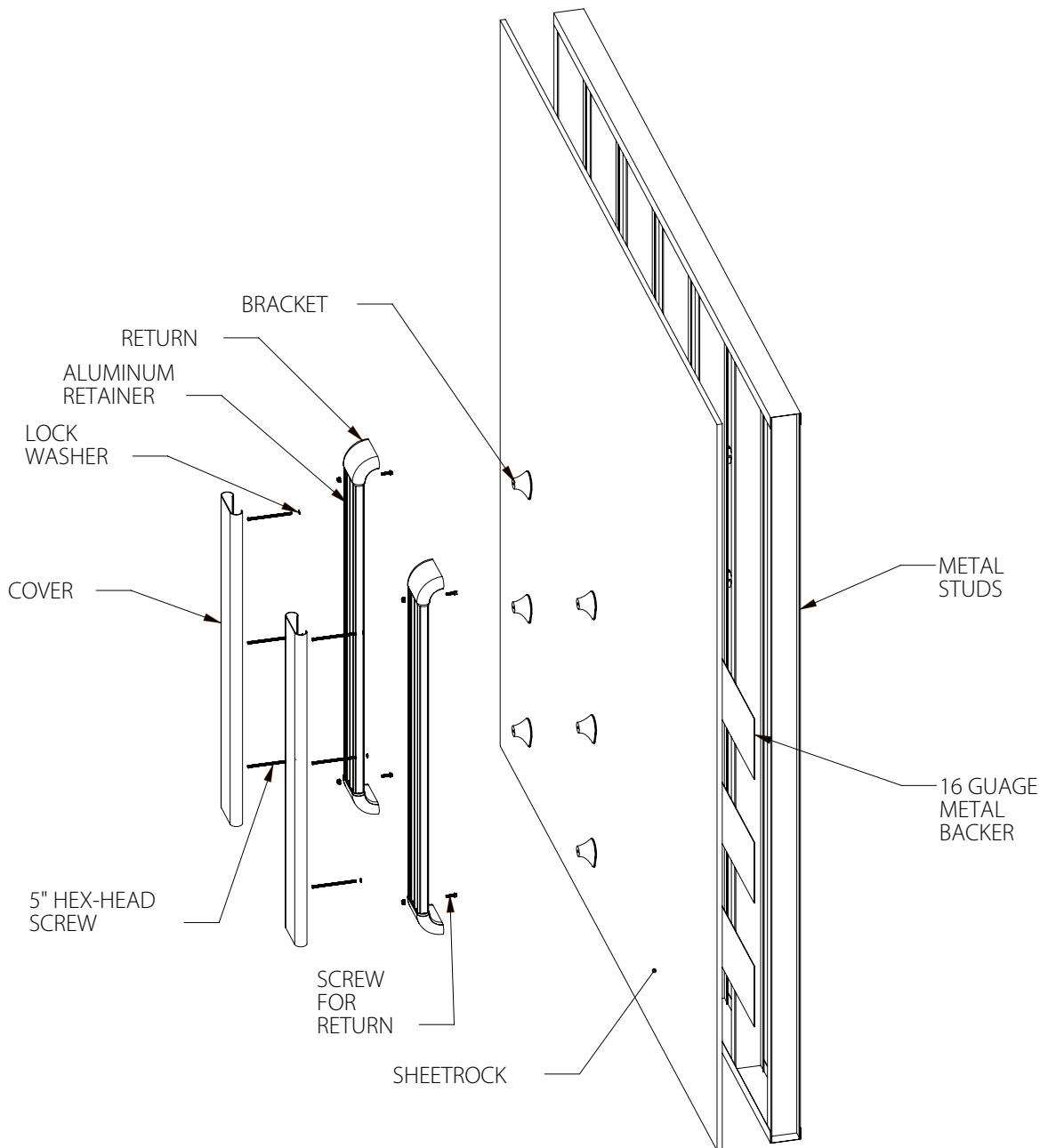
inpro®

Installation Instructions

800 Bed Locator

Please read all instructions before installing wallguard.

- Slide returns onto the aluminum retainer and fasten them with the serrated flange screws and nuts.
- Loosely attach the brackets to the aluminum retainer with the 5" (127mm) hex head screws, lock washer and toggle wing.
- Lift the retainer assembly to the wall and push the toggle wings into the holes. Plumb the retainer and tighten until secure.
- Cut the cover to the distance between the returns. Snap the cover on the retainer.



IPC® Door + Wall Protection

inpro.com • 800.222.5556 • 262.679.9010

World Headquarters S80 W18766 Apollo Drive, Muskego, WI 53150 USA

Installation Hotline: 866.394.6776

inpro®