

801-A02-025

| JOINT WIDTH | | MOVEMENT ± | | | |
|-------------|----|------------|----|----------|----|
| | | HORIZONTAL | | VERTICAL | |
| US | mm | US | mm | US | mm |
| 1" | 25 | 1/2" | 13 | -- | -- |

FINISH: MILL

PROJECT:

CUSTOMER:

LOCATION:

APPLICATION-
FLOOR/WALL CONDITION
STANDARD COVER PLATE

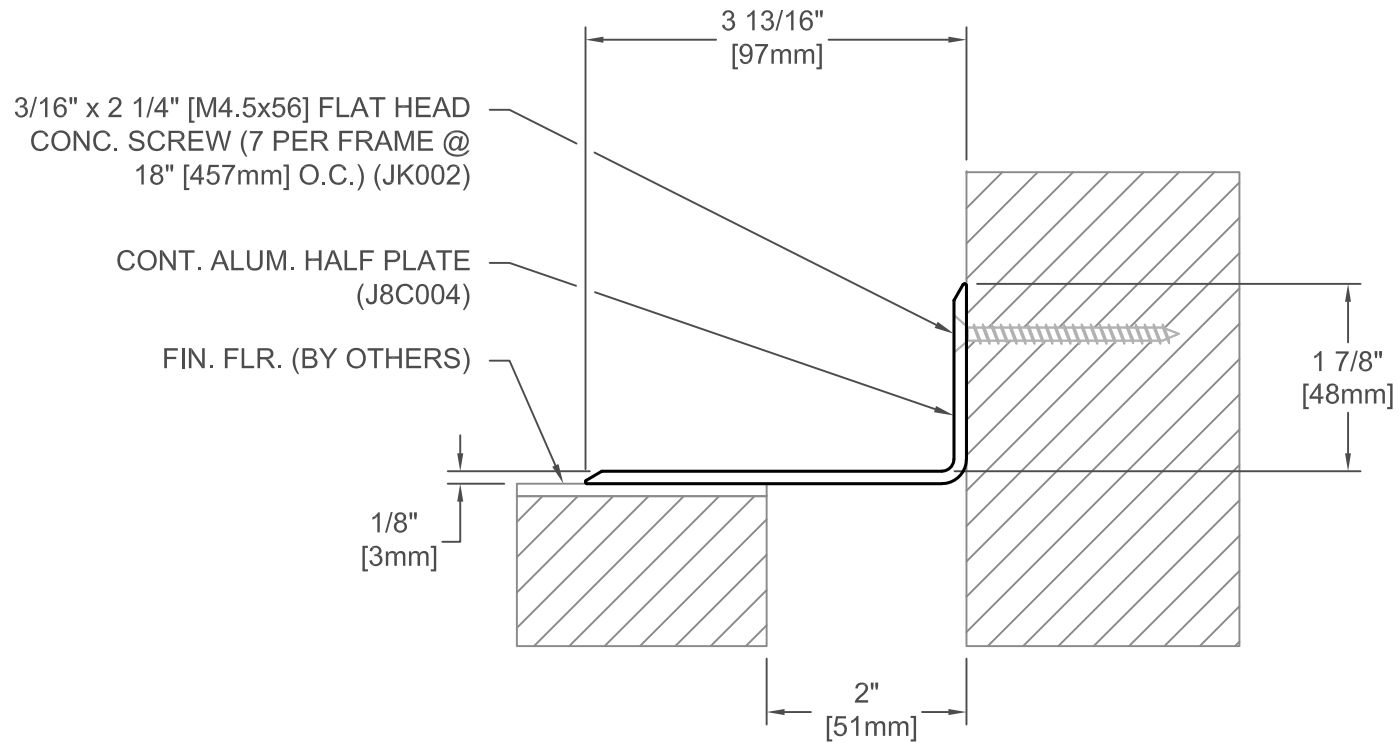
DATE: 7-16-03

SCALE: 1:2

DOC: CADJM.046/R4

inpro.[®]

For More Information Visit: Inprocorp.com



801-A02-050

| JOINT WIDTH | | MOVEMENT ± | | | |
|-------------|----|------------|----|----------|----|
| | | HORIZONTAL | | VERTICAL | |
| US | mm | US | mm | US | mm |
| 2" | 51 | 1" | 25 | -- | -- |

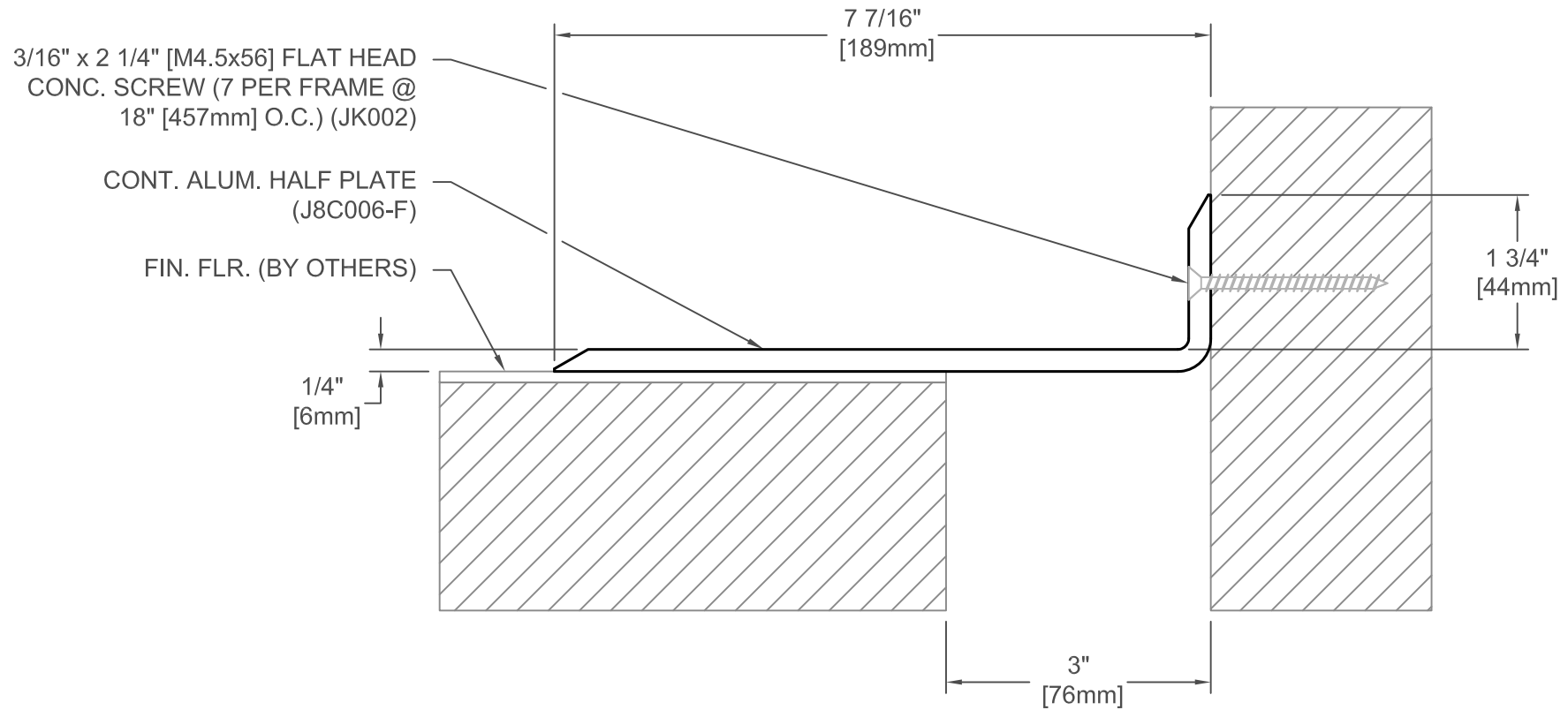
| |
|--------------|
| FINISH: MILL |
| PROJECT: |
| CUSTOMER: |
| LOCATION: |

APPLICATION-
FLOOR/WALL CONDITION
STANDARD COVER PLATE

| | |
|--------|--------------|
| DATE: | 7-16-03 |
| SCALE: | 1:2 |
| DOC: | CADJM.046/R4 |



For More Information Visit: Inprocorp.com



801-A02-075

| JOINT WIDTH | | MOVEMENT ± | | | |
|-------------|----|------------|----|----------|----|
| | | HORIZONTAL | | VERTICAL | |
| US | mm | US | mm | US | mm |
| 3" | 76 | 1-1/2" | 38 | -- | -- |

FINISH: MILL

PROJECT:

CUSTOMER:

LOCATION:

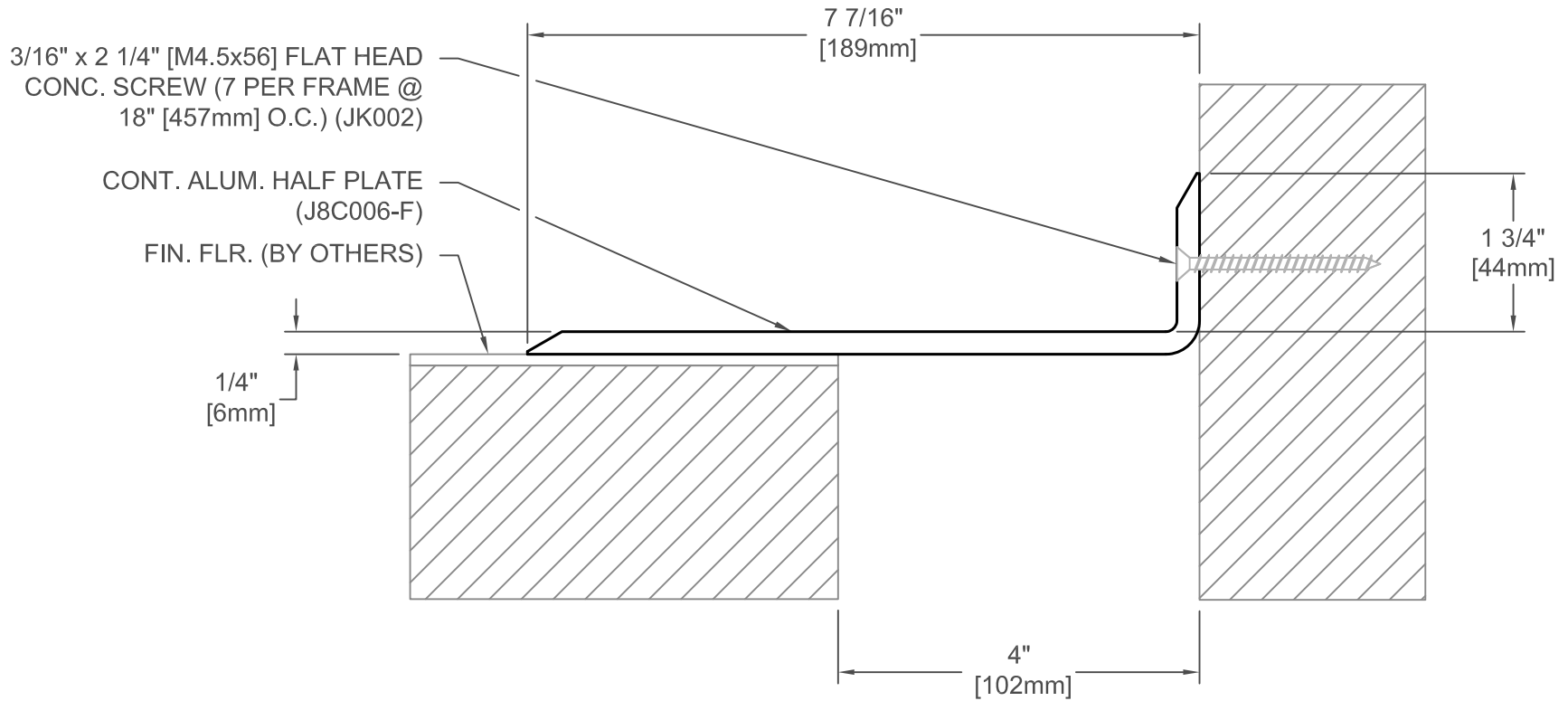
APPLICATION-
FLOOR/WALL CONDITION
STANDARD COVER PLATE

DATE: 4-14-15

SCALE: 1:2

DOC: CADJM.046/R4

inpro.
For More Information Visit: Inprocorp.com



801-A02-100

| JOINT WIDTH | | MOVEMENT ± | | | |
|-------------|-----|------------|----|----------|----|
| | | HORIZONTAL | | VERTICAL | |
| US | mm | US | mm | US | mm |
| 4" | 102 | 2" | 51 | -- | -- |

| |
|--------------|
| FINISH: MILL |
| PROJECT: |
| CUSTOMER: |
| LOCATION: |

APPLICATION-
FLOOR/WALL CONDITION
STANDARD COVER PLATE

| | |
|--------|--------------|
| DATE: | 4-14-15 |
| SCALE: | 1:2 |
| DOC: | CADJM.046/R4 |



For More Information Visit: Inprocorp.com