

806 Series

A01 - Floor to Floor

A02 - Floor to Wall



Movement Rating $\pm 50\%$

Product Guide



Thermal



Exterior



Interior



Fire Rated Option



Vapor



ADA Compliant

- ▶ Surface mount cover applicable to interior and exterior renovations, additions and new construction
- ▶ Pre-drilled countersunk holes for easy installation
- ▶ Hinged plates allow system to accommodate uneven slabs and deck deflection
- ▶ Applicable to Moderate loading conditions
- ▶ Mill finish standard with serrations for slip resistance

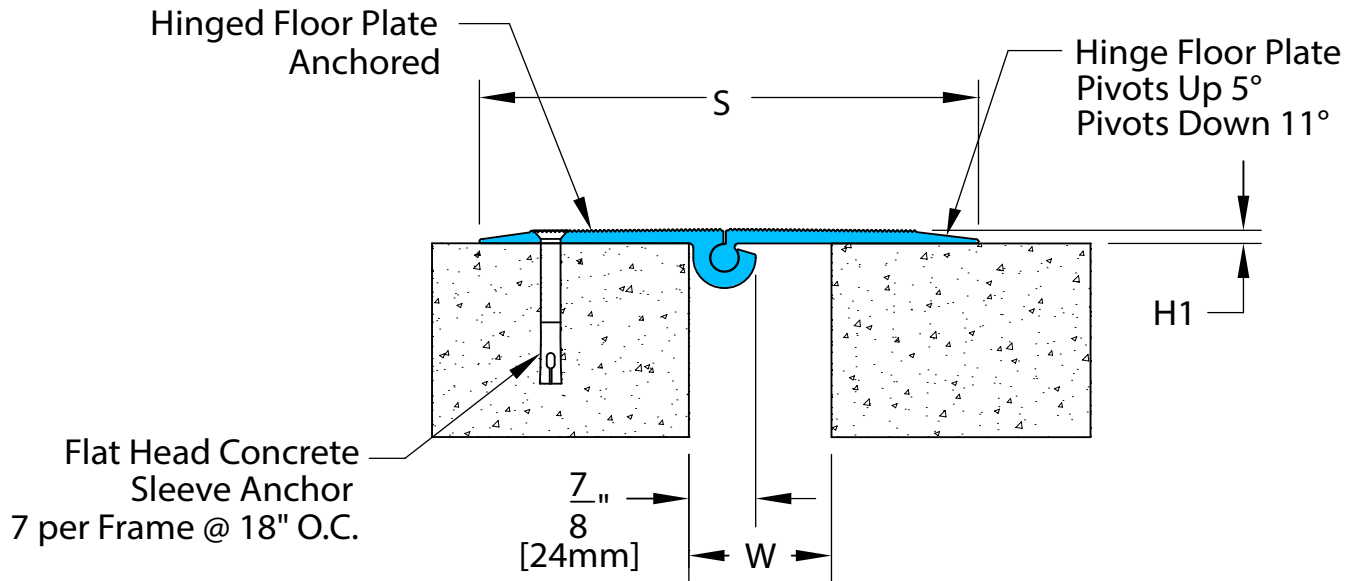
| Application | System | W | | H1 | | H2 | | S | | B | | Movement | | | |
|----------------|-------------|-------------|-----|----------------|----|----------|----|-----------|-----|----------|----|----------------|-----------|-----------------------|---------------|
| | | Joint Width | | Frame Height 1 | | Height 2 | | Sightline | | Blockout | | Horizontal +/- | | Vertical (+ / -) | |
| | | US | mm | US | mm | US | mm | US | mm | US | mm | US | mm | US | mm |
| Floor to Floor | 806-A01-050 | 2" | 51 | 3/16" | 5 | * | * | 7" | 178 | * | * | $\pm 1"$ | ± 25 | $+1/4" / -1"$ | $+10 / -51$ |
| | 806-A01-075 | 3" | 76 | 3/16" | 5 | * | * | 10 1/2" | 267 | * | * | $\pm 2"$ | ± 51 | $+1 1/16" / -2 1/16"$ | $+17 / -52$ |
| | 806-A01-100 | 4" | 102 | 3/16" | 5 | * | * | 10 1/2" | 267 | * | * | $\pm 2"$ | ± 51 | $+5/8" / -2"$ | $+10 / -51$ |
| | 806-A01-150 | 6" | 152 | 3/16" | 5 | * | * | 13" | 330 | * | * | $\pm 3"$ | ± 75 | $+7/8" / -2 3/4"$ | $+13 / -71$ |
| | 806-A01-200 | 8" | 203 | 7/16" | 11 | * | * | 17 11/16" | 449 | * | * | $\pm 4"$ | ± 102 | $+1" / -2 1/2"$ | $+25 / -64$ |
| | 806-A01-250 | 10" | 254 | 7/16" | 11 | * | * | 19 3/4" | 502 | * | * | $\pm 5"$ | ± 127 | $+1 3/8" / -3"$ | $+35 / -76$ |
| Floor to Wall | 806-A01-300 | 12" | 305 | 1/2" | 13 | * | * | 23 1/16" | 586 | * | * | $\pm 6"$ | ± 152 | $+1 5/8" / -3 1/2"$ | $+41 / -90$ |
| | 806-A02-050 | 2" | 51 | 3/16" | 5 | * | * | 4" | 102 | * | * | $\pm 1"$ | ± 25 | $+1/4" / -1"$ | $+6 / -25$ |
| | 806-A02-075 | 3" | 76 | 3/16" | 5 | * | * | 7 1/2" | 191 | * | * | $\pm 2"$ | ± 50 | $+1 1/16" / -2 1/16"$ | $+17 / -52$ |
| | 806-A02-100 | 4" | 102 | 3/16" | 5 | * | * | 7 1/2" | 191 | * | * | $\pm 2"$ | ± 51 | $+5/8" / -2"$ | $+10" / -51"$ |
| | 806-A02-150 | 6" | 152 | 3/16" | 5 | * | * | 10" | 254 | * | * | $\pm 3"$ | ± 76 | $+7/8" / -2 3/4"$ | $+13 / -71$ |
| | 806-A02-200 | 8" | 203 | 7/16" | 11 | * | * | 13 5/8" | 346 | * | * | $\pm 4"$ | ± 102 | $+1" / -2 1/2"$ | $+25 / -64$ |
| | 806-A02-250 | 10" | 254 | 7/16" | 11 | * | * | 15 11/16" | 398 | * | * | $\pm 5"$ | ± 254 | $+1 3/8" / -3"$ | $+35 / -76$ |
| | 806-A02-300 | 12" | 305 | 1/2" | 12 | * | * | 19" | 483 | * | * | $\pm 6"$ | ± 152 | $+1 5/8" / -3 1/2"$ | $+41 / -90$ |

IPC.921/REV.12

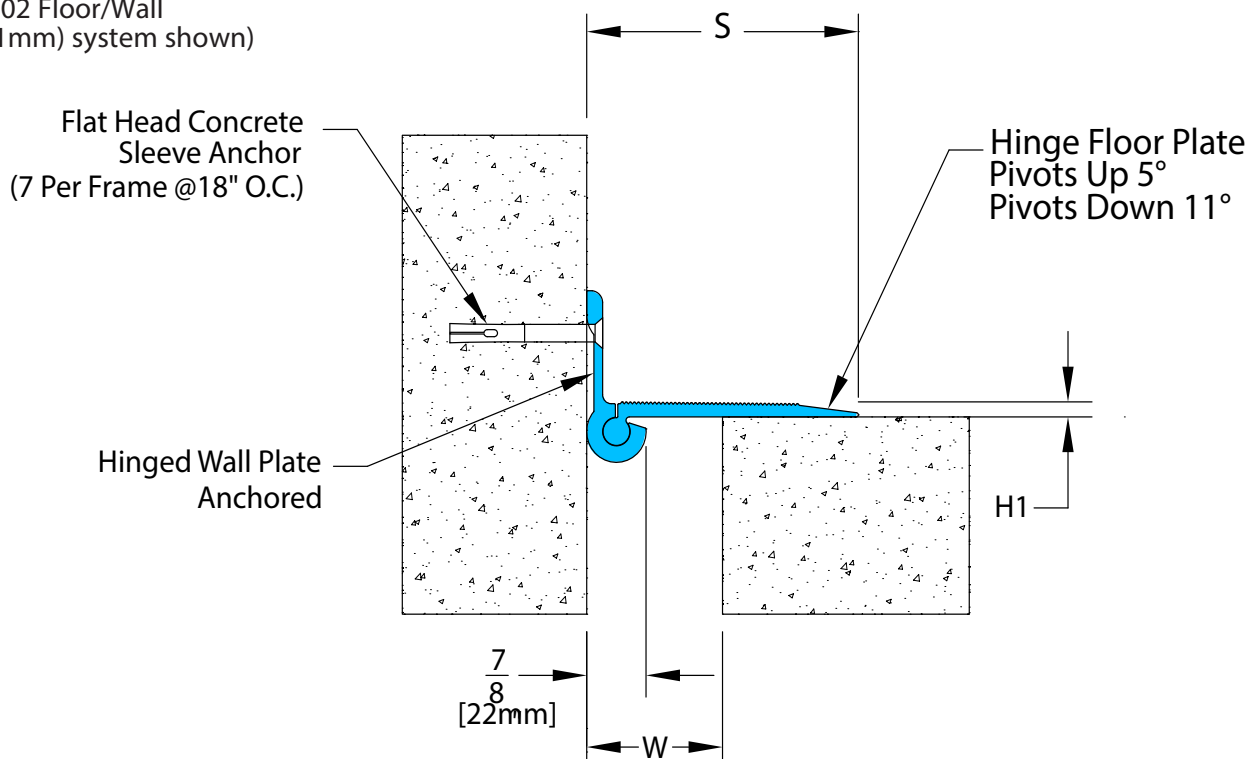
806 Series

Hinged Cover Plate System

806-A01 Floor/Floor
(2" (51mm) system shown)



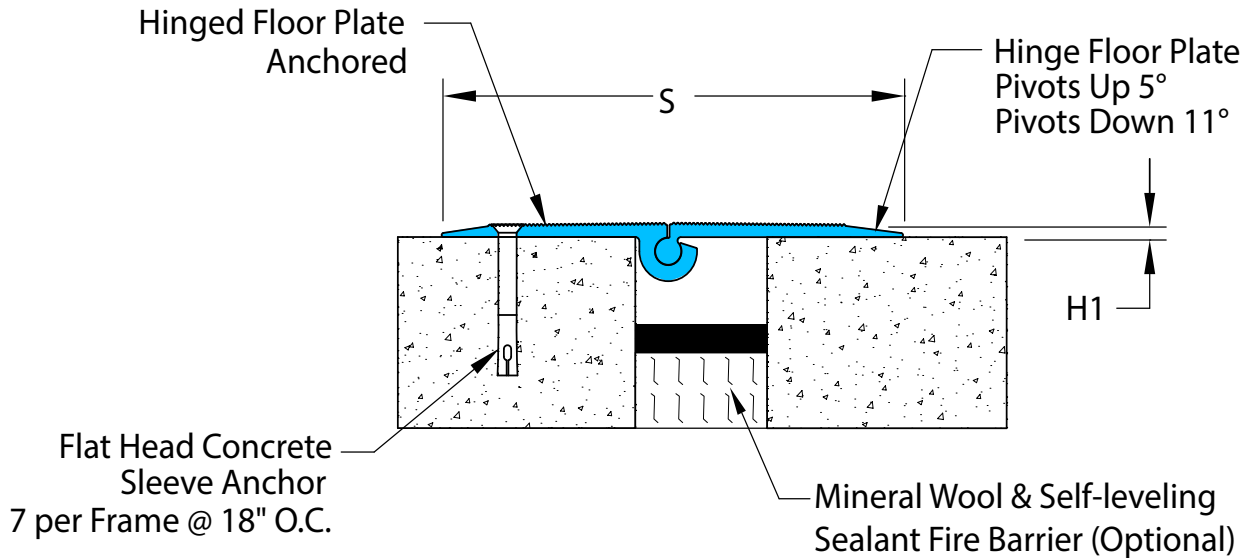
806-A02 Floor/Wall
(2" (51mm) system shown)



806 Series

Options

806-A01 Floor/Floor With Fire Barrier
(2" (51mm) system shown)



806-A01 Floor/Floor With Vapor Barrier
(2" (51mm) system shown)

