

808-A02-025

JOINT WIDTH		MOVEMENT ±			
		HORIZONTAL		VERTICAL	
US	mm	US	mm	US	mm
1"	25	1/2"	13	--	--

FINISH: MILL

PROJECT:

CUSTOMER:

LOCATION:

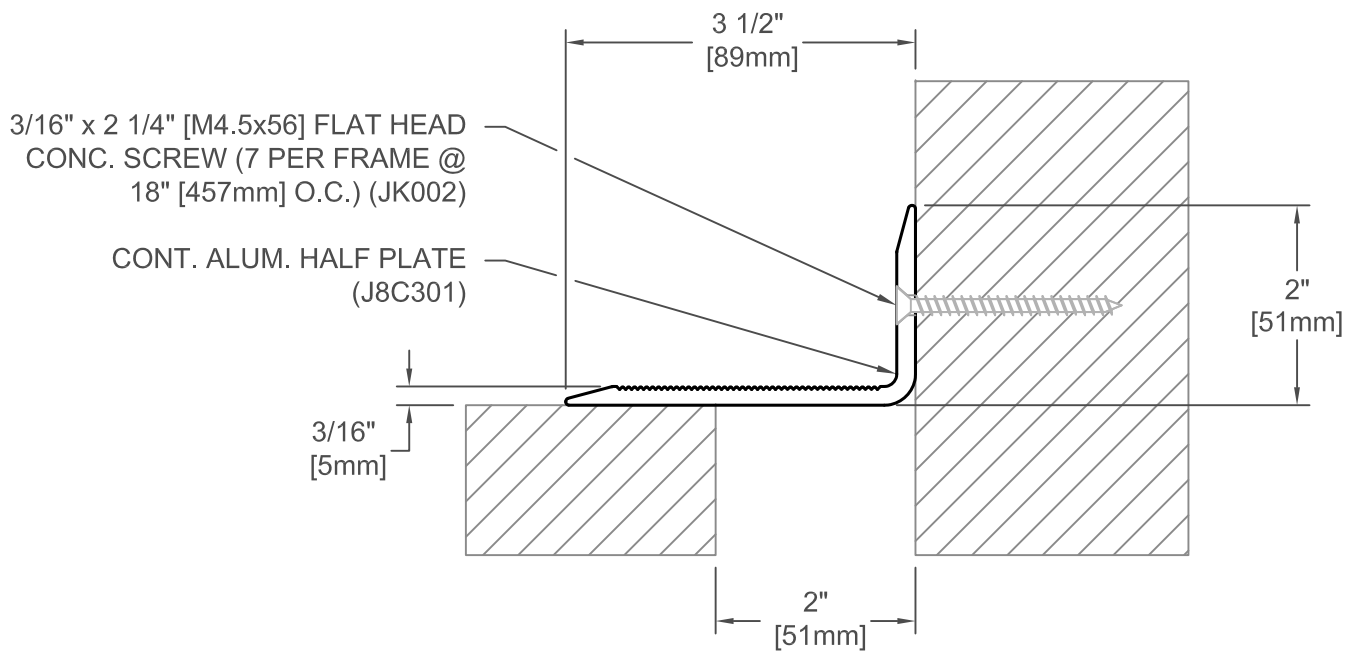
APPLICATION-
FLOOR/WALL CONDITION
STANDARD COVER PLATE

DATE: 2-25-19

SCALE: 1:2

DOC: CADJM.209/R1

inpro.
For More Information Visit: Inprocorp.com



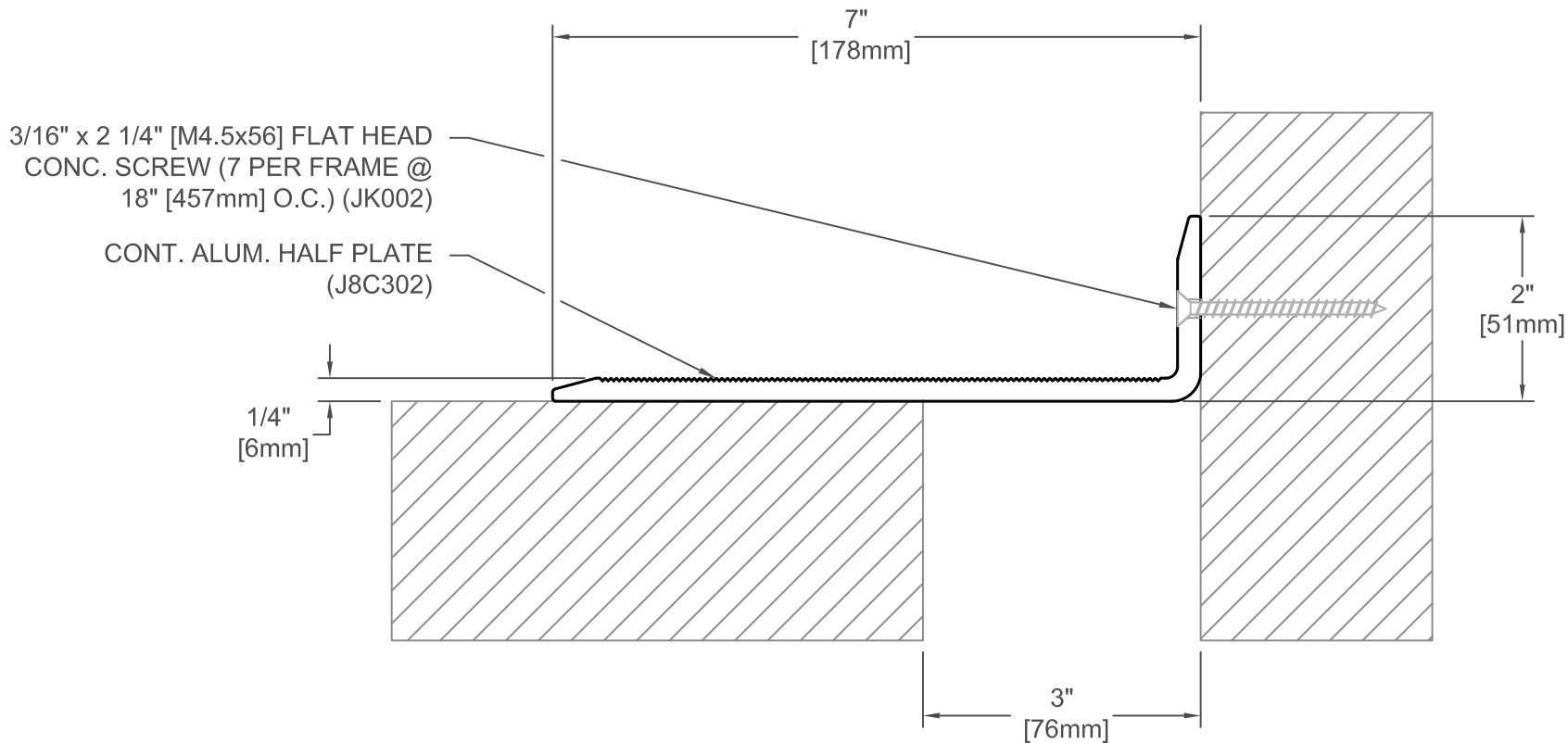
808-A02-050

JOINT WIDTH		MOVEMENT ±			
		HORIZONTAL		VERTICAL	
US	mm	US	mm	US	mm
2"	51	1"	25	--	--

FINISH: MILL
PROJECT:
CUSTOMER:
LOCATION:

APPLICATION-
FLOOR/WALL CONDITION
STANDARD COVER PLATE

DATE:	2-25-19
SCALE:	1:2
DOC:	CADJM.209/R1



808-A02-075

JOINT WIDTH		MOVEMENT ±			
		HORIZONTAL		VERTICAL	
US	mm	US	mm	US	mm
3"	76	1-1/2"	38	--	--

FINISH: MILL

PROJECT:

CUSTOMER:

LOCATION:

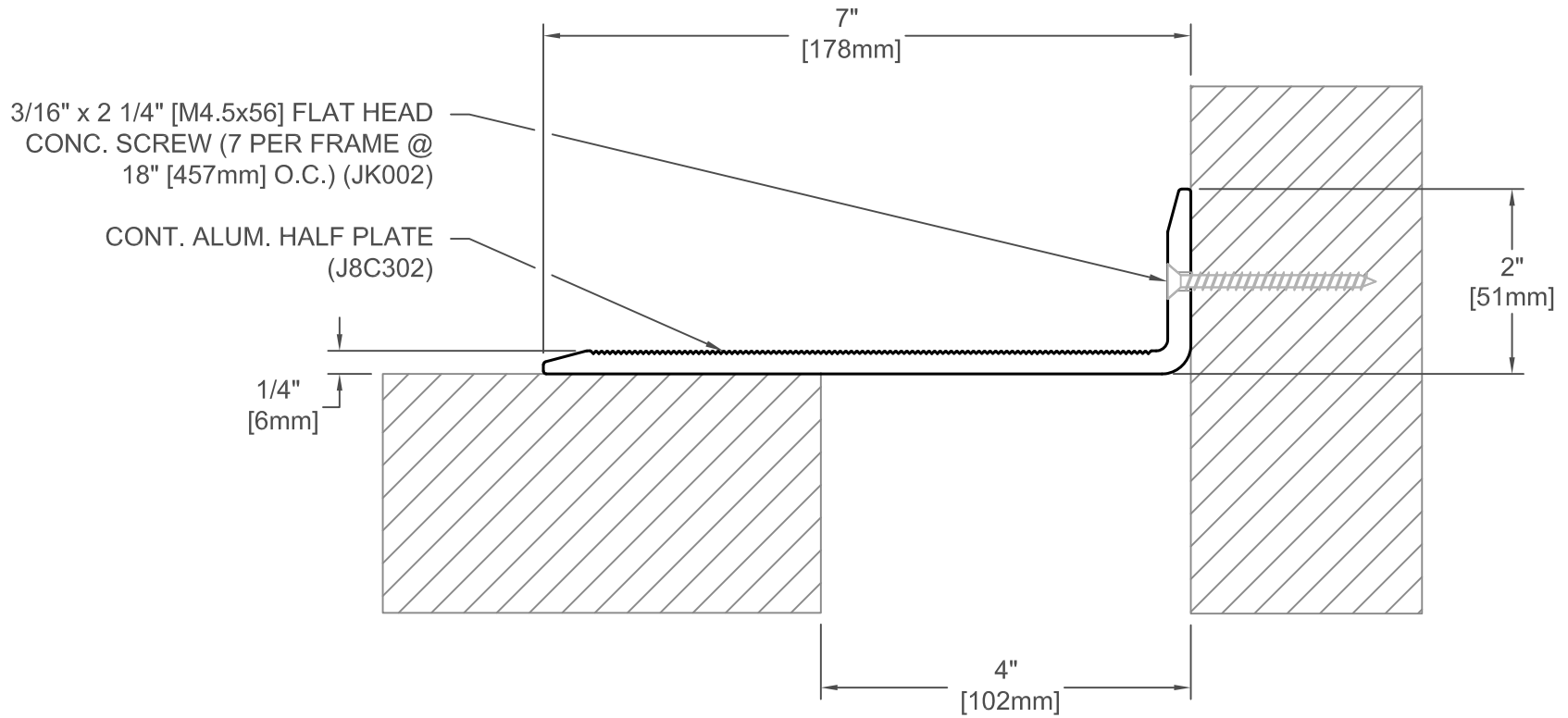
APPLICATION-
FLOOR/WALL CONDITION
STANDARD COVER PLATE

DATE: 2-25-19

SCALE: 1:2

DOC: CADJM.209/R1

inpro.
For More Information Visit: Inprocorp.com



808-A02-100

JOINT WIDTH		MOVEMENT ±			
		HORIZONTAL		VERTICAL	
US	mm	US	mm	US	mm
4"	102	2"	51	--	--

FINISH: MILL
PROJECT:
CUSTOMER:
LOCATION:

APPLICATION-
FLOOR/WALL CONDITION
STANDARD COVER PLATE

DATE:	2-25-19
SCALE:	1:2
DOC:	CADJM.209/R1