

811-A09-025

JOINT WIDTH		MOVEMENT ±			
		HORIZONTAL		VERTICAL	
US	mm	US	mm	US	mm
1"	25	1/2"	13	--	--

FINISH: CLEAR ANODIZED

PROJECT:

CUSTOMER:

LOCATION:

APPLICATION-
WALL/CORNER, CEILING/WALL CONDITION
SURFACE MOUNT WALL/CEILING SYSTEM

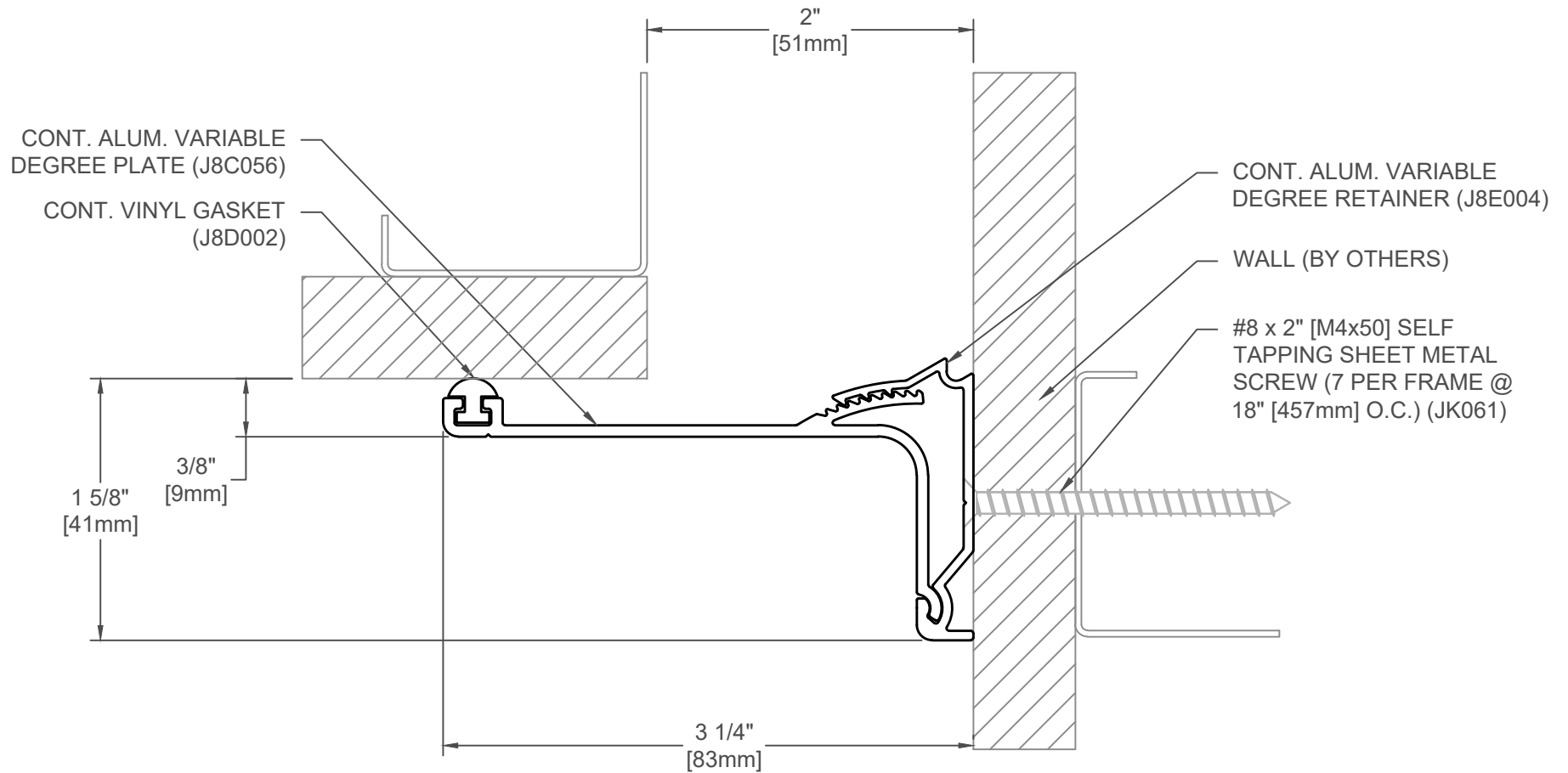
DATE: 4-15-09

SCALE: 1:1

DOC: CADJM.055/R4

inpro.

For More Information Visit: Inprocorp.com



811-A09-050

JOINT WIDTH		MOVEMENT ±			
		HORIZONTAL		VERTICAL	
US	mm	US	mm	US	mm
2"	51	1"	25	--	--

FINISH: CLEAR ANODIZED

PROJECT:

CUSTOMER:

LOCATION:

APPLICATION-
WALL/CORNER, CEILING/WALL CONDITION
SURFACE MOUNT WALL/CEILING SYSTEM

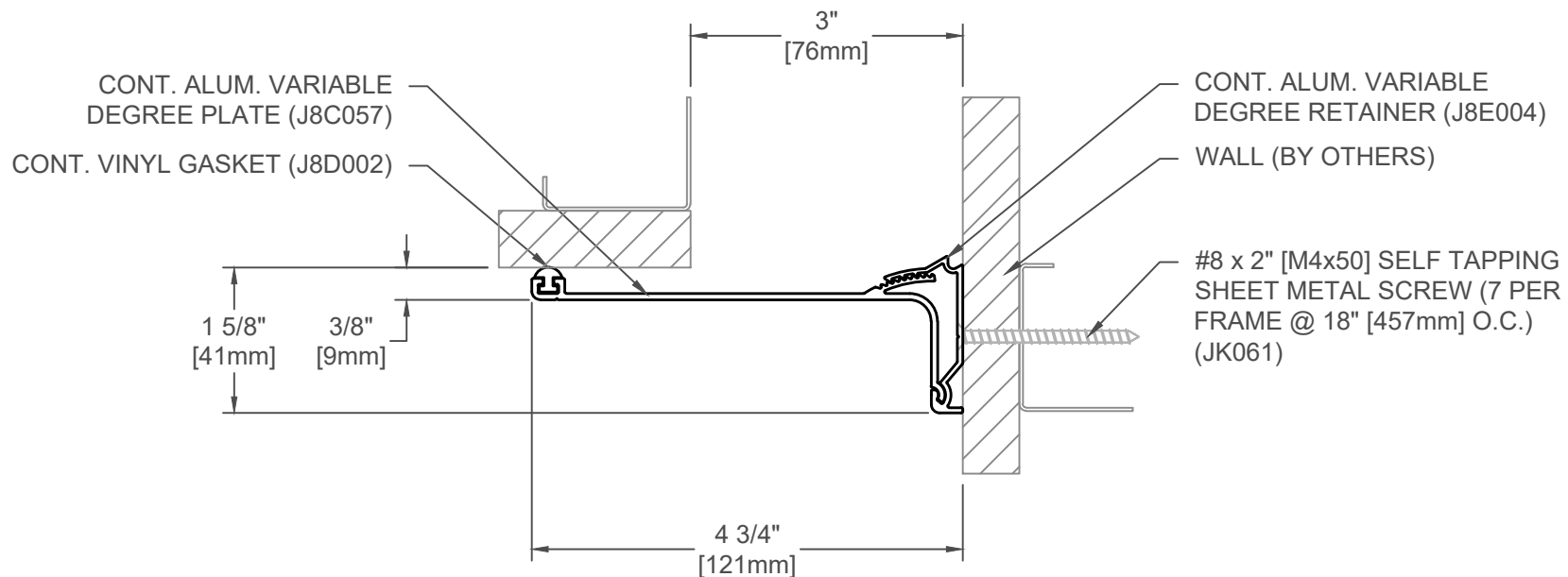
DATE: 4-15-09

SCALE: 1:1

DOC: CADJM.055/R4

inpro.

For More Information Visit: Inprocorp.com



811-A09-075

JOINT WIDTH		MOVEMENT ±			
		HORIZONTAL		VERTICAL	
US	mm	US	mm	US	mm
3"	76	1 1/2"	38	--	--

FINISH: CLEAR ANODIZED

PROJECT:

CUSTOMER:

LOCATION:

APPLICATION-
WALL/CORNER, CEILING/WALL CONDITION
SURFACE MOUNT WALL/CEILING SYSTEM

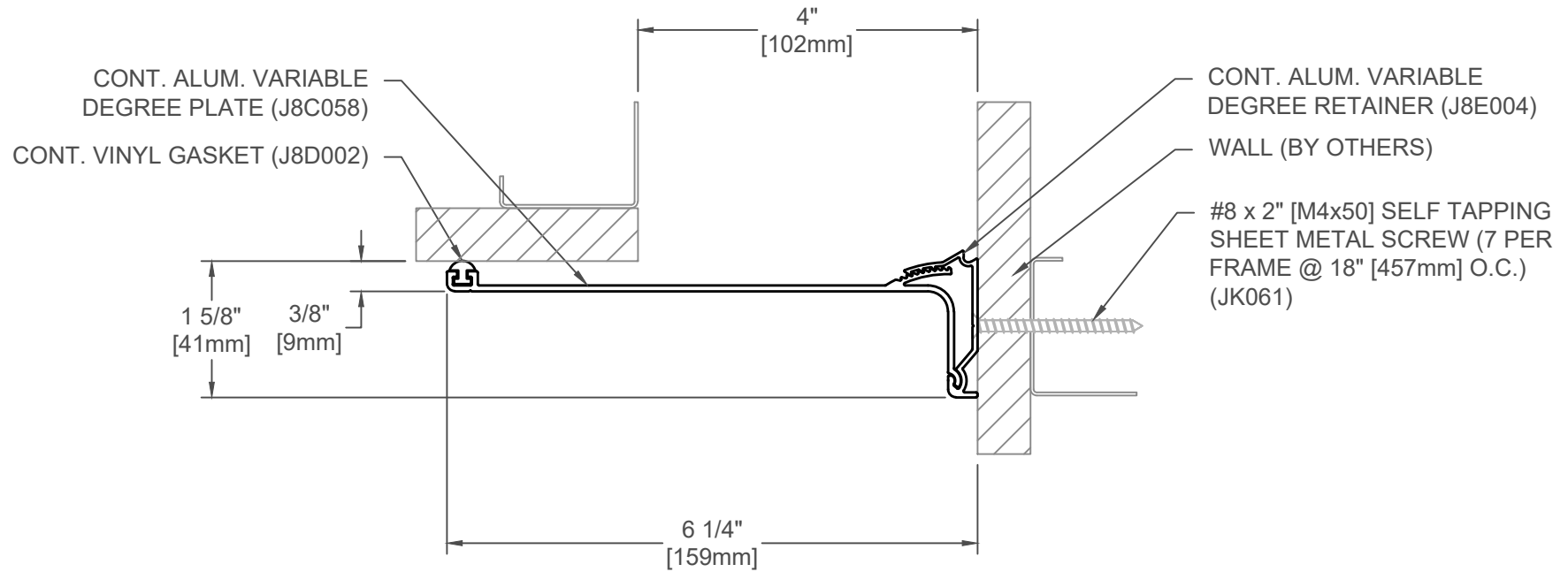
DATE: 4-15-09

SCALE: 1:2

DOC: CADJM.055/R4

inpro.

For More Information Visit: Inprocorp.com



811-A09-100

JOINT WIDTH		MOVEMENT ±			
		HORIZONTAL		VERTICAL	
US	mm	US	mm	US	mm
4"	102	2"	51	--	--

FINISH: CLEAR ANODIZED

PROJECT:

CUSTOMER:

LOCATION:

APPLICATION-
WALL/CORNER, CEILING/WALL CONDITION
SURFACE MOUNT WALL/CEILING SYSTEM

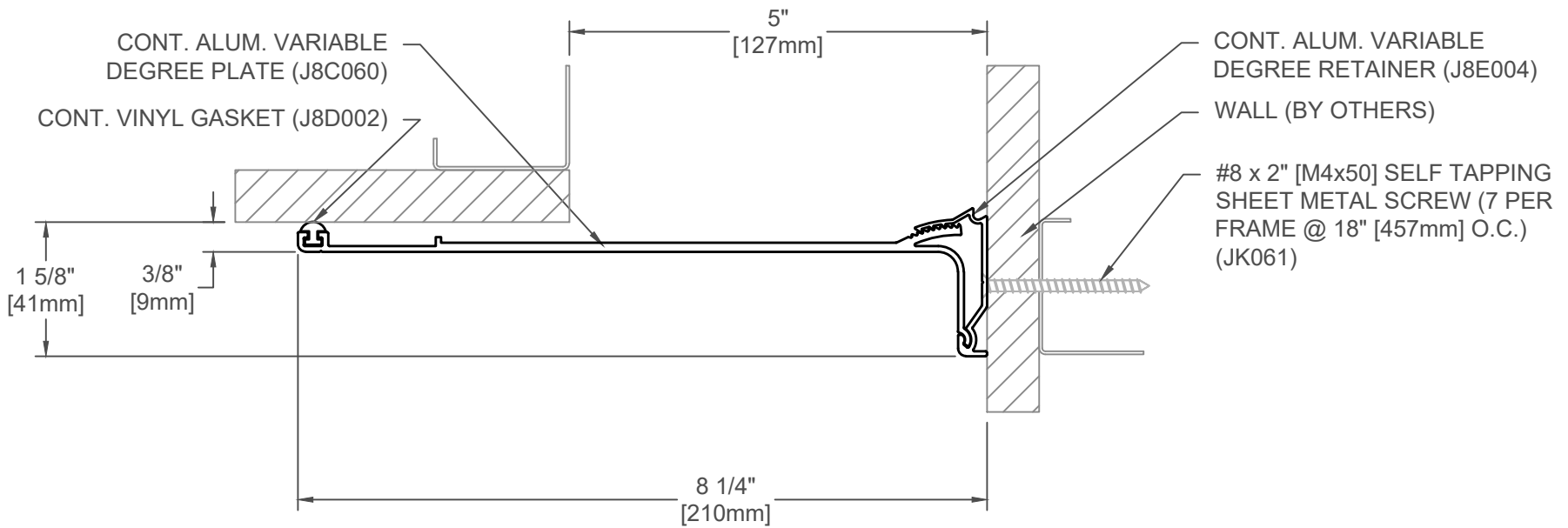
DATE: 4-15-09

SCALE: 1:2

DOC: CADJM.055/R4

inpro.

For More Information Visit: Inprocorp.com



811-A09-125

JOINT WIDTH		MOVEMENT ±			
		HORIZONTAL		VERTICAL	
US	mm	US	mm	US	mm
5"	127	2 1/2"	51	--	--

FINISH: CLEAR ANODIZED

PROJECT:

CUSTOMER:

LOCATION:

APPLICATION
FLOOR/WALL
STANDARD COVER PLATE

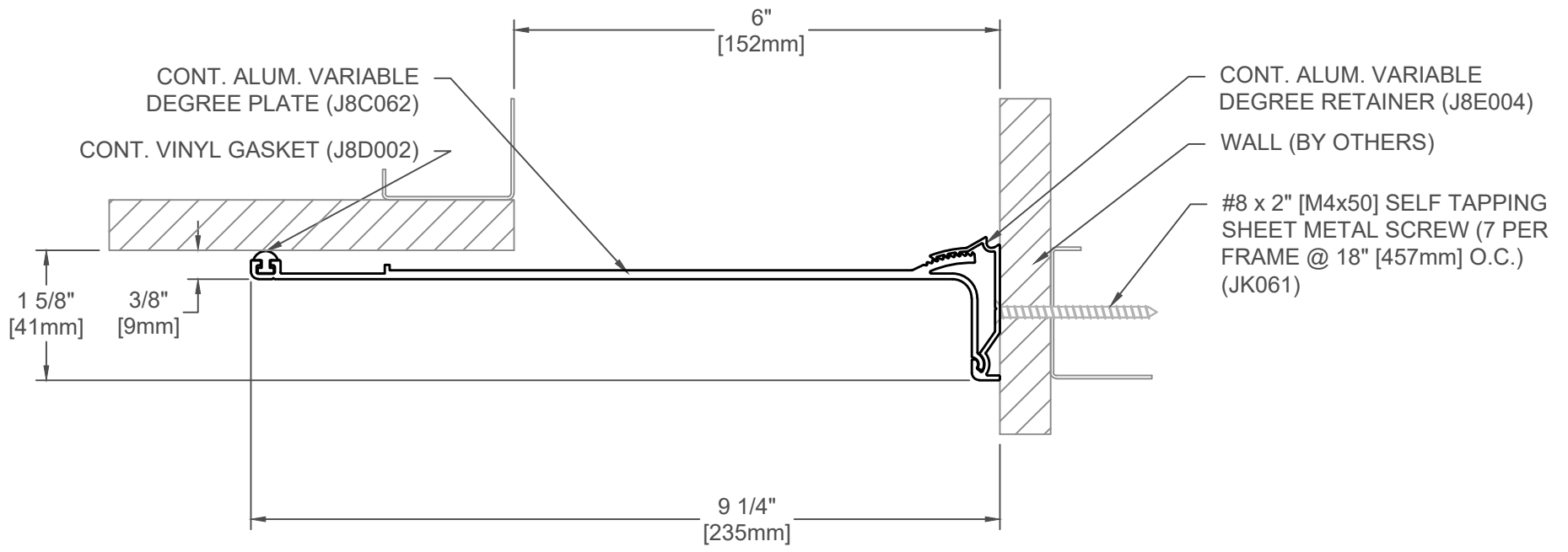
DATE: 6/25/19

SCALE: 1:2

DOC: CADJM.054/R4

inpro.

For More Information Visit: Inprocorp.com



811-A09-150

JOINT WIDTH		MOVEMENT ±			
		HORIZONTAL		VERTICAL	
US	mm	US	mm	US	mm
6"	152	3"	76	--	--

FINISH: CLEAR ANODIZED
PROJECT:
CUSTOMER:
LOCATION:

APPLICATION
FLOOR/WALL
STANDARD COVER PLATE

DATE:	6/25/19
SCALE:	1:2
DOC:	CADJM.054/R4

