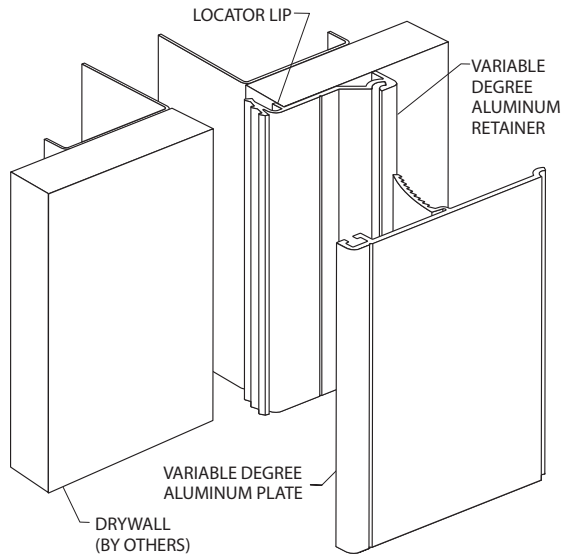


Installation Instructions

Joint System: 811-A07/A09

Note: Verify that the structural gap is in conformance with submittal data before beginning installation. If this is a Fire Rated Assembly, install the fire barrier before the Architectural Joint System. Refer to the fire barrier instructions for specific system installation.

FIG. 1 (811-A07 WALL TO WALL SHOWN)



1. Install the architectural joint system on a level wall surface. This may require adding leveling compound on top of the substrate to provide a smooth mounting surface.

Figure 1

2. Cut the aluminum variable degree retainer and plate components to the desired length.
 - 2a. On wall to wall (A07) condition, place the aluminum retainer to one side of the joint opening with the locator lip firmly against the inside joint face.

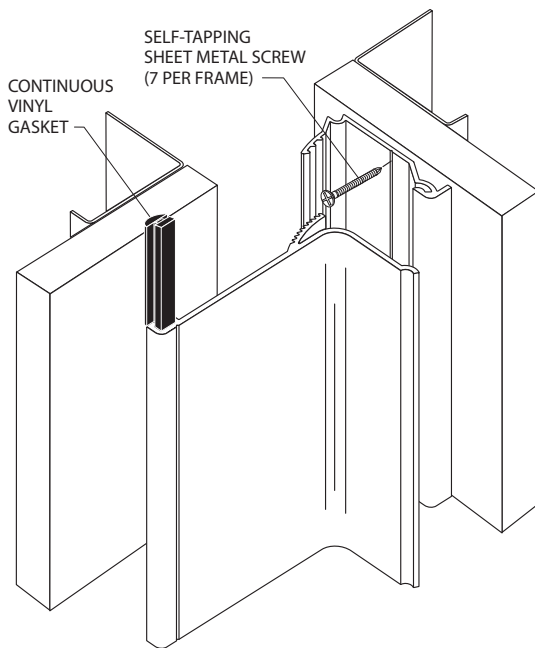
Figure 2

- 2b. On wall to corner (A09) condition, assemble a short 6" [150mm] section of the system from drop-off material of both components. Insert a 6" [150mm] piece of vinyl gasket into the dart receptacle on the back side of the plate.

Starting at the base of the wall, place the 6" [150mm] assembly section over the joint opening so the plate is level with both wall faces. Mark the outside edge of the retainer on the substrate. Repeat process at the midpoint and top of the wall. Connect all marks.

3. Align retainer level. Secure with JK060 self-tapping sheet metal screws approximately 18" [457mm] on center starting 6" [150mm] from each end.

FIG. 2 (811-A09 WALL TO CORNER SHOWN)



IPC.884/REV.2

Installation Instructions

Joint System: 811-A07/A09

Note: Verify that the structural gap is in conformance with submittal data before beginning installation. If this is a Fire Rated Assembly, install the fire barrier before the Architectural Joint System. Refer to the fire barrier instructions for specific system installation.

FIG. 3

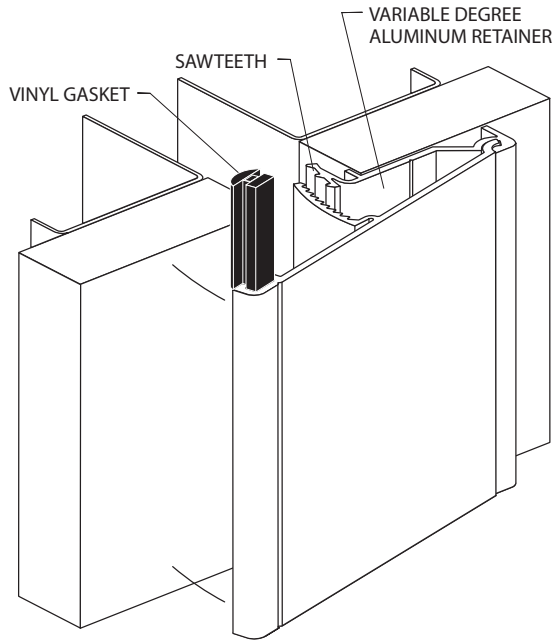


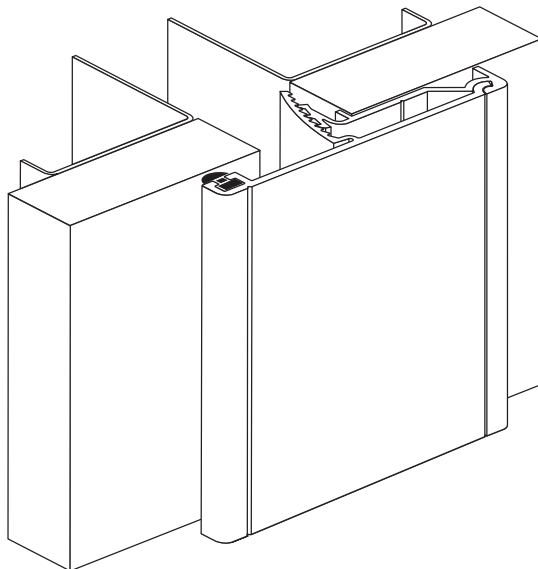
Figure 3

4. Cut the vinyl gasket to the same length as the plate and slide into the dart receptacle on the backside.
5. Insert the curved edge of the plate into the corresponding slot of the retainer. With even pressure, rotate the plate towards the wall face until the sawteeth engage into the retainer.
6. Firmly press center of plate against the wall applying uniform pressure until the gasket is seated snug to the wall and the plate is at the desired level.

Figure 4

7. Clean the exposed surfaces with a non-solvent cleaner, such as 409, as required.

FIG. 4 (811-A07 WALL TO WALL COMPLETED INSTALLATION)



(811-A09 WALL TO CORNER COMPLETED INSTALLATION)

