

NOTE:  
 SURROUNDING SUBSTRATE MUST  
 MATCH OR EXCEED PERFORMANCE  
 CAPABILITIES OF THE 990 FIRE  
 RATED FOAM TO ACHIEVE FIRE  
 RATING

990 FOAM LENGTH - 6' 6" [1981mm]  
 PLATE LENGTH - 10' [3048mm]

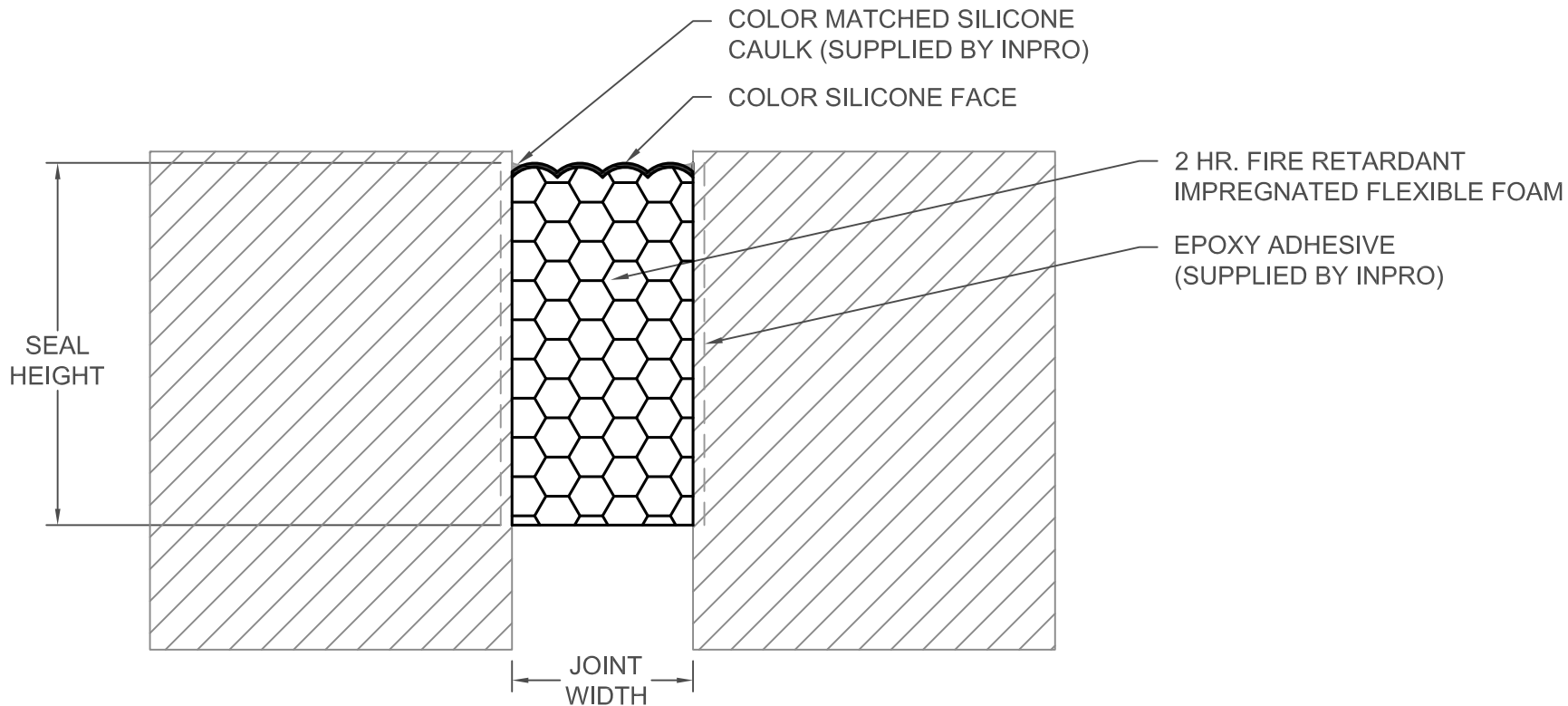
| SYSTEM       | JOINT WIDTH |     | SEAL HEIGHT |     | MOVEMENT ±  |    |           |    |
|--------------|-------------|-----|-------------|-----|-------------|----|-----------|----|
|              | US          | mm  | US          | mm  | COMPRESSION |    | EXPANSION |    |
|              | US          | mm  | US          | mm  | US          | mm | US        | mm |
| 990H2-050 UC | 1/2"        | 13  | 4"          | 102 | 1/8"        | 3  | 1/8"      | 3  |
| 990H2-100 UC | 1"          | 25  | 4"          | 102 | 1/4"        | 6  | 1/4"      | 6  |
| 990H2-150 UC | 1 1/2"      | 38  | 4"          | 102 | 3/8"        | 10 | 3/8"      | 10 |
| 990H2-200 UC | 2"          | 51  | 4"          | 102 | 1/2"        | 13 | 1/2"      | 13 |
| 990H2-250 UC | 2 1/2"      | 64  | 4"          | 102 | 5/8"        | 16 | 5/8"      | 16 |
| 990H2-300 UC | 3"          | 76  | 4"          | 102 | 3/4"        | 19 | 3/4"      | 19 |
| 990H2-350 UC | 3 1/2"      | 89  | 4"          | 102 | 7/8"        | 22 | 7/8"      | 22 |
| 990H2-400 UC | 4"          | 102 | 4"          | 102 | 1"          | 25 | 1"        | 25 |

|             |
|-------------|
| FINISH: N/A |
| PROJECT:    |
| CUSTOMER:   |
| LOCATION:   |

APPLICATION-  
 FLOOR/FLOOR AND FLOOR/WALL  
 2 HOUR FIRE RATED

|        |              |
|--------|--------------|
| DATE:  | 2-25-16      |
| SCALE: | 1:2          |
| DOC:   | CADJM.174/R3 |





NOTE:  
 SURROUNDING SUBSTRATE MUST  
 MATCH OR EXCEED PERFORMANCE  
 CAPABILITIES OF THE 990 FIRE  
 RATED FOAM TO ACHIEVE FIRE  
 RATING

990 FOAM LENGTH - 6' 6" [1981mm]  
 PLATE LENGTH - 10' [3048mm]

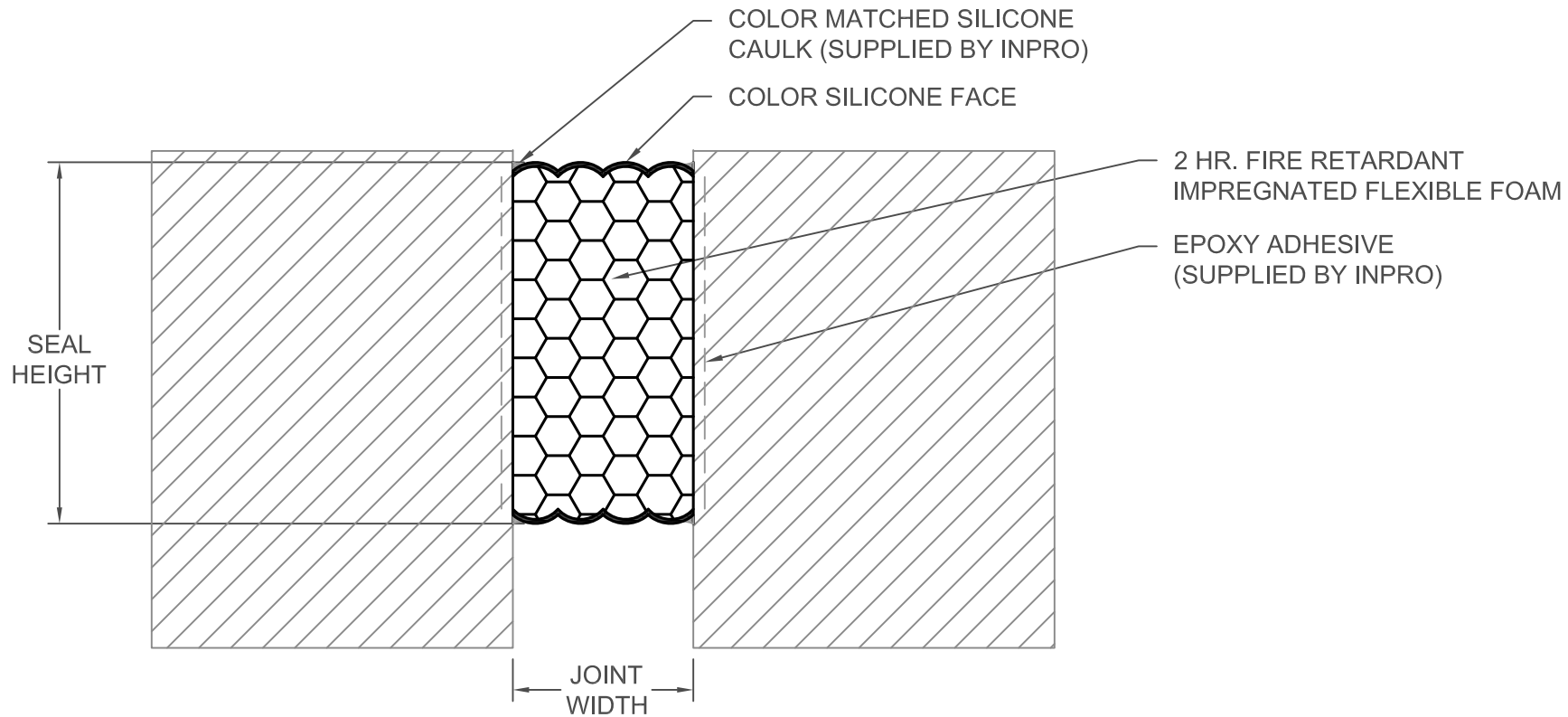
| SYSTEM    | JOINT WIDTH |     | SEAL HEIGHT |     | MOVEMENT ±  |    |           |    |
|-----------|-------------|-----|-------------|-----|-------------|----|-----------|----|
|           | US          | mm  | US          | mm  | COMPRESSION |    | EXPANSION |    |
|           | US          | mm  | US          | mm  | US          | mm | US        | mm |
| 990H2-050 | 1/2"        | 13  | 4"          | 102 | 1/8"        | 3  | 1/8"      | 3  |
| 990H2-100 | 1"          | 25  | 4"          | 102 | 1/4"        | 6  | 1/4"      | 6  |
| 990H2-150 | 1 1/2"      | 38  | 4"          | 102 | 3/8"        | 10 | 3/8"      | 10 |
| 990H2-200 | 2"          | 51  | 4"          | 102 | 1/2"        | 13 | 1/2"      | 13 |
| 990H2-250 | 2 1/2"      | 64  | 4"          | 102 | 5/8"        | 16 | 5/8"      | 16 |
| 990H2-300 | 3"          | 76  | 4"          | 102 | 3/4"        | 19 | 3/4"      | 19 |
| 990H2-350 | 3 1/2"      | 89  | 4"          | 102 | 7/8"        | 22 | 7/8"      | 22 |
| 990H2-400 | 4"          | 102 | 4"          | 102 | 1"          | 25 | 1"        | 25 |

|             |
|-------------|
| FINISH: N/A |
| PROJECT:    |
| CUSTOMER:   |
| LOCATION:   |

APPLICATION-  
 FLOOR/FLOOR AND FLOOR/WALL  
 2 HOUR FIRE RATED

|        |              |
|--------|--------------|
| DATE:  | 2-25-16      |
| SCALE: | 1:2          |
| DOC:   | CADJM.174/R3 |





NOTE:  
 SURROUNDING SUBSTRATE MUST  
 MATCH OR EXCEED PERFORMANCE  
 CAPABILITIES OF THE 990 FIRE  
 RATED FOAM TO ACHIEVE FIRE  
 RATING

990 FOAM LENGTH - 6' 6" [1981mm]  
 PLATE LENGTH - 10' [3048mm]

| SYSTEM       | JOINT WIDTH |     | SEAL HEIGHT |     | MOVEMENT ±  |    |           |    |
|--------------|-------------|-----|-------------|-----|-------------|----|-----------|----|
|              | US          | mm  | US          | mm  | COMPRESSION |    | EXPANSION |    |
|              |             |     |             |     | US          | mm | US        | mm |
| 990H2-050 DS | 1/2"        | 13  | 4"          | 102 | 1/8"        | 3  | 1/8"      | 3  |
| 990H2-100 DS | 1"          | 25  | 4"          | 102 | 1/4"        | 6  | 1/4"      | 6  |
| 990H2-150 DS | 1 1/2"      | 38  | 4"          | 102 | 3/8"        | 10 | 3/8"      | 10 |
| 990H2-200 DS | 2"          | 51  | 4"          | 102 | 1/2"        | 13 | 1/2"      | 13 |
| 990H2-250 DS | 2 1/2"      | 64  | 4"          | 102 | 5/8"        | 16 | 5/8"      | 16 |
| 990H2-300 DS | 3"          | 76  | 4"          | 102 | 3/4"        | 19 | 3/4"      | 19 |
| 990H2-350 DS | 3 1/2"      | 89  | 4"          | 102 | 7/8"        | 22 | 7/8"      | 22 |
| 990H2-400 DS | 4"          | 102 | 4"          | 102 | 1"          | 25 | 1"        | 25 |
| 990H2-450 DS | 4 1/2"      | 114 | 4"          | 102 | 1 1/8"      | 29 | 1 1/8"    | 29 |

|             |
|-------------|
| FINISH: N/A |
| PROJECT:    |
| CUSTOMER:   |
| LOCATION:   |

APPLICATION-  
 FLOOR/FLOOR AND FLOOR/WALL  
 2 HOUR FIRE RATED

|        |              |
|--------|--------------|
| DATE:  | 2-25-16      |
| SCALE: | 1:2          |
| DOC:   | CADJM.174/R3 |



For More Information Visit: [Inprocorp.com](http://Inprocorp.com)