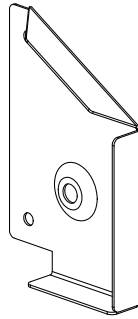
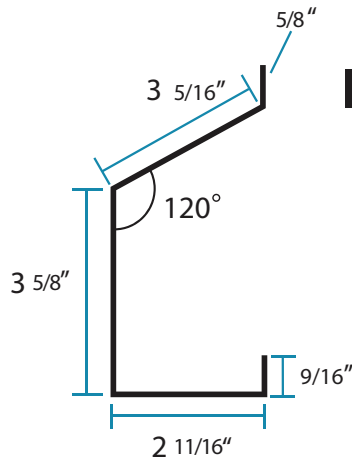


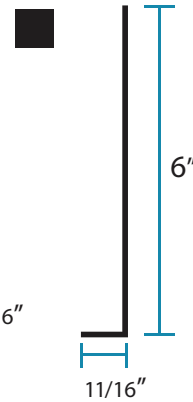
**Left Bracket
Plate**




**Right Bracket
Plate**



Security Box



Back Plate

5/8" x 5/8"

**Wood Top
Lip Support**

Security Box to be 24 gauge galvanized steel unless specified. Standard powder-coat of security box and back plate available in white, off-white or bronze. Additional powder-coat colors available, charges may apply.

Industry standard 1/4" space between fabric and track required for proper operation. Privacy mullion quoted upon request.

CLICKEZE®
 PRIVACY SYSTEMS

DATE: 10/19/2016

SCALE

DOC: CAD CZ.048/R4

ANGLED SECURITY BOX
 SB5A REDUCED DEPTH

inpro®