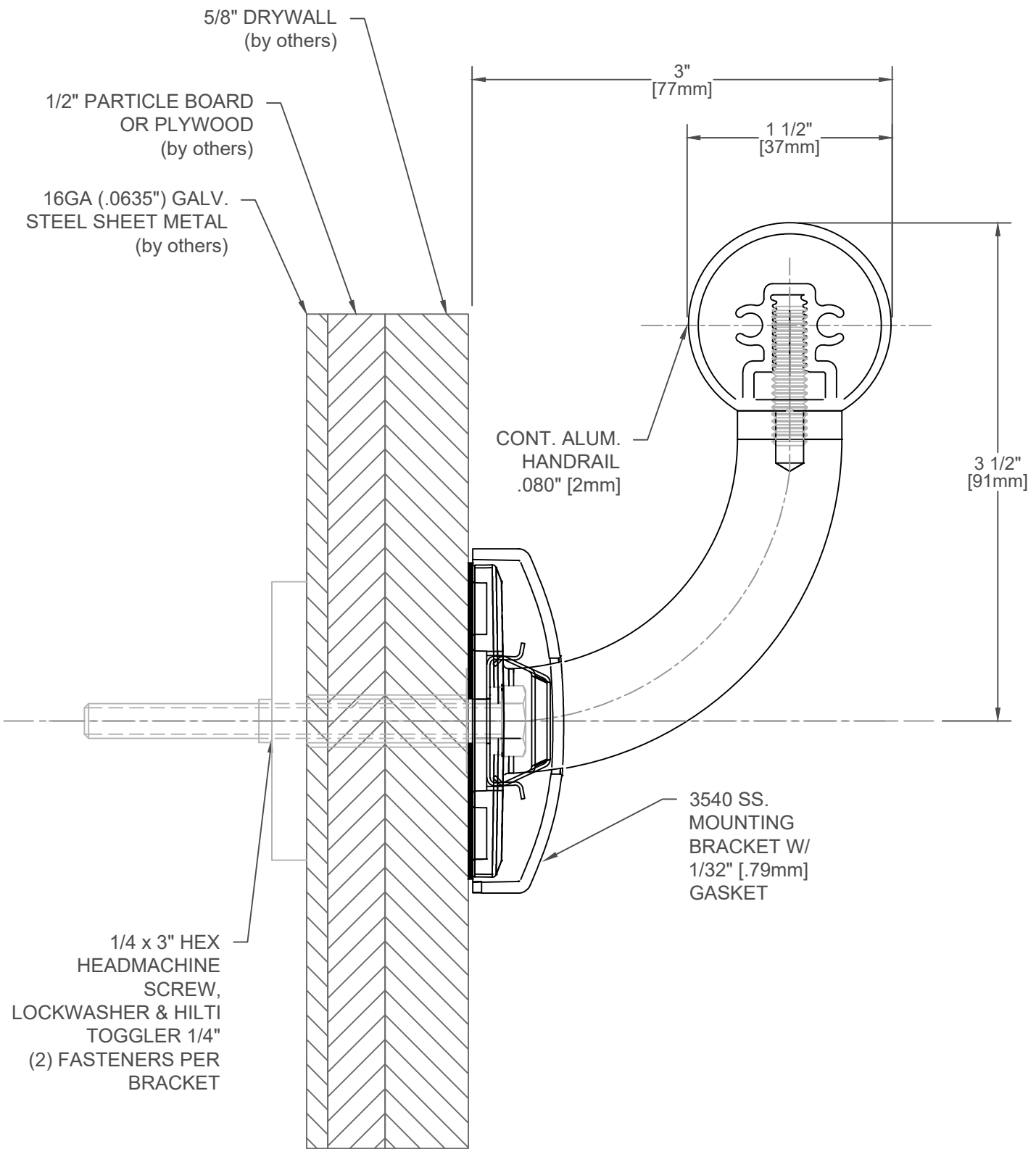


PROJECT:	<b>B900 BARIATRIC HANDRAIL W/STAINLESS STEEL BRACKET AND WOOD BLOCKING</b>	DATE:	12/17/12	<b>inpro.</b> For More Information Visit: <a href="http://Inprocorp.com">Inprocorp.com</a>
CUSTOMER:		SCALE:	1:1	
LOCATION:		DOC:	CADIPC.031/R1	



FINISH:

**inpro.**  
For More Information Visit: [Inprocorp.com](http://Inprocorp.com)

PROJECT:
CUSTOMER:
LOCATION:

**B900 BARIATRIC HANDRAIL  
W/STAINLESS STEEL BRACKET  
W/16GA. GALVANIZED SHEET  
METAL BLOCKING**

DATE:	12/17/12
SCALE:	1:1
DOC:	CADIPC.031/R1