

Bariatric Grab Bars

Installation Instructions

Please read all instructions before installing products.

Note: Minimum Bariatric Grab Bar Install Specs:

Install directly in to a stud or wood blocking at each flange.

Each flange must be mounted with three (3) screws.

Your grab bar may have more than one center post depending on length and configuration.

1. Remove the grab bar from the packaging, if it isn't fully assembled see FLANGE INSTALL REFERENCE for flange installation details.
2. Using a level mark a line on the wall, this will be used to level the grab bar. *See Figure 1.*
3. Using the line as a guide, position the grab bar on the wall. *See Figure 2.*
4. Mark three (3) of the holes for the center flange. *See Figure 3.*

FLANGE INSTALL REFERENCE

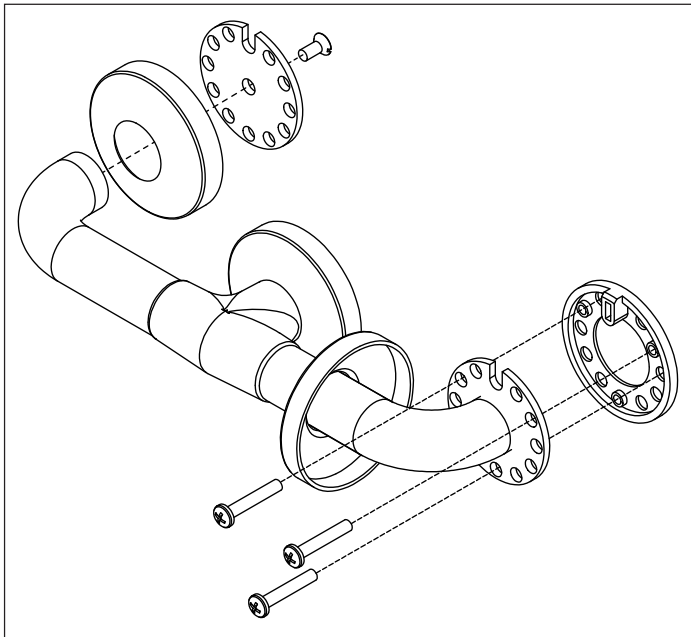


FIG.1

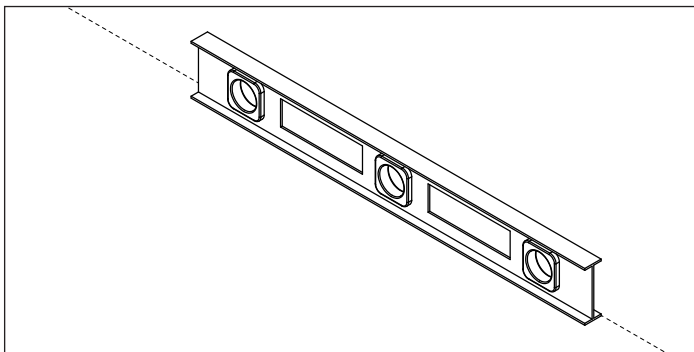


FIG.2

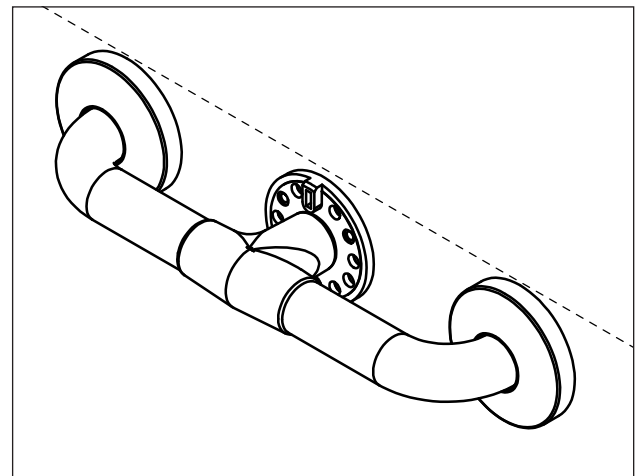
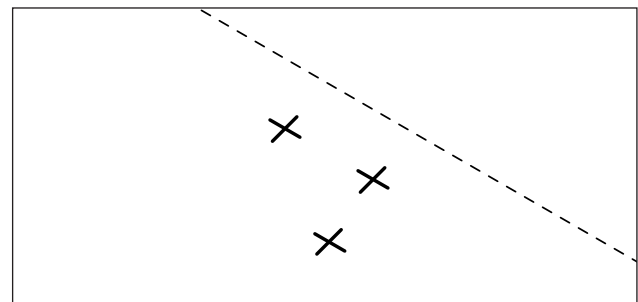


FIG.3



IPC.2000/REV.2

ENDURANT® Washroom Systems

inpro.com • 800.222.5556 • 262.679.9010

World Headquarters S80 W18766 Apollo Drive, Muskego, WI 53150 USA

Installation Hotline: 866.394.6776

inpro®

Bariatric Grab Bars

Installation Instructions

FIG.4

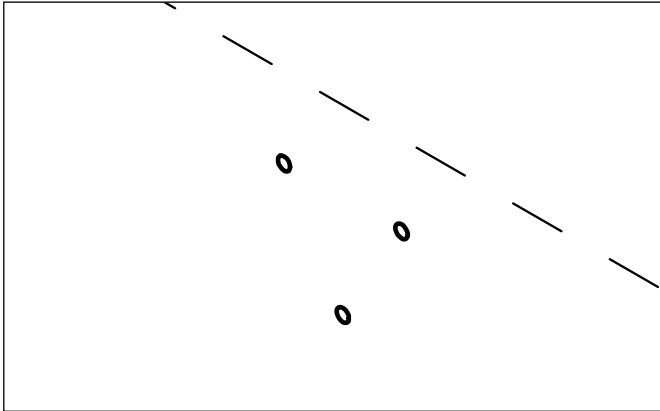


FIG.5

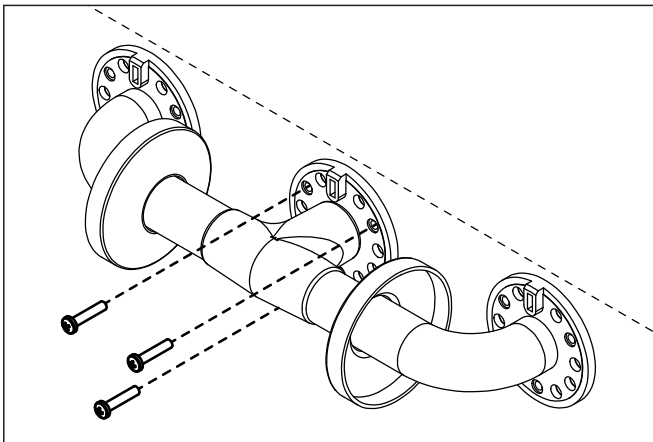
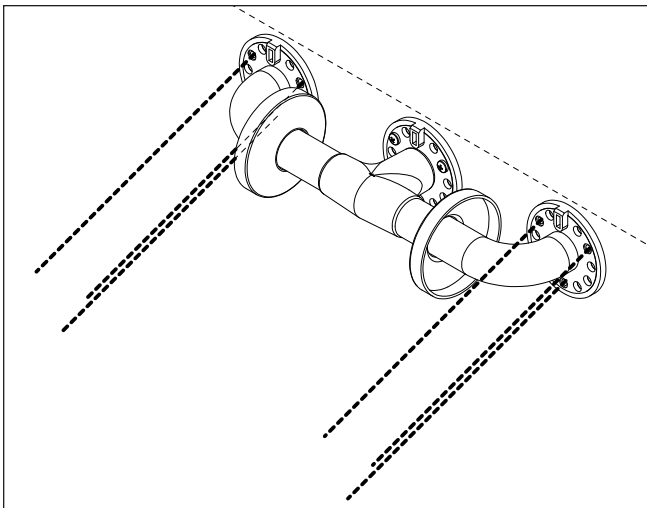


FIG.6



5. Drill pilot holes for the three (3) center flange mounting screws. *See Figure 4.*

Note: If installing onto wall cladding such as Bio-Prism® or tile, holes slightly larger than the fastener are needed through the wall cladding to prevent damage to the wall cladding.

6. Attach the center flange to the wall using three (3) screws. *See Figure 5.*

Caution: Hand tighten mounting screws to avoid damaging wall cladding. **DO NOT TIGHTEN WITH POWER TOOLS.**

7. Mark three (3) holes on both of the outside mounting flanges. *See Figure 6.*

8. Remove the set screw from the bottom of the middle flange. *See Figure 7.*

9. Remove the grab bar from the wall. *See Figure 8.*

FIG.7

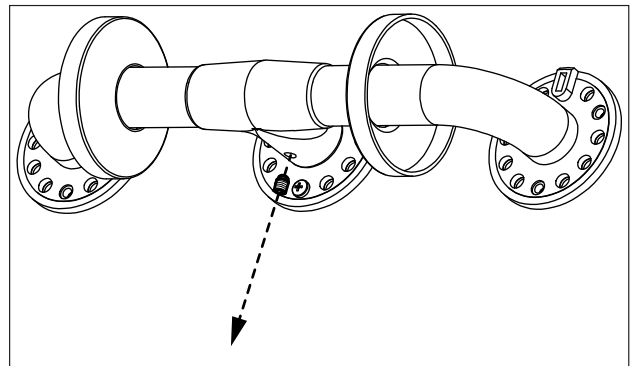
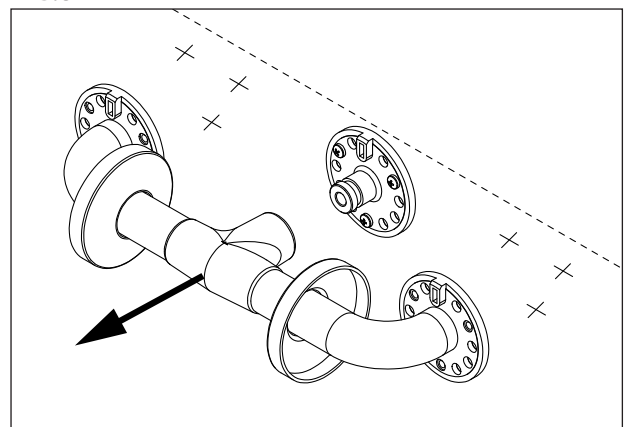


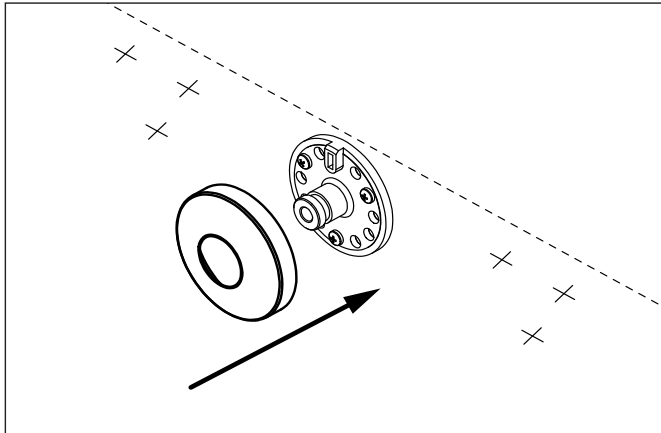
FIG.8



Bariatric Grab Bars

Installation Instructions

FIG.9



9. Install the flange concealing cover on the middle flange. *See Figure 9.*

10. Drill pilot holes for the outside mounting flange screws. *See Figure 10.*

11. Install the grab bar by sliding the bar back onto the middle flange. Then attach the two (2) outer mounting flanges to the wall with screws. *See Figure 11.*

12. Secure the middle flange to the grab bar by reinstalling the set screw. *See Figure 12.*

13. Slide the flange concealing covers into place and snap them onto the outside mounting flanges. *See Figure 13.*

FIG.10

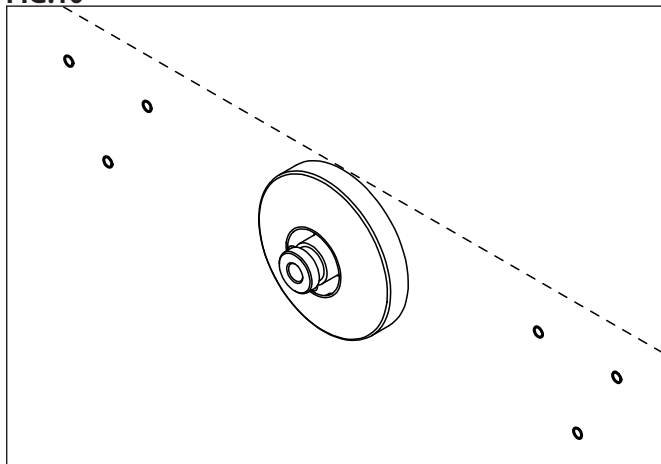


FIG.12

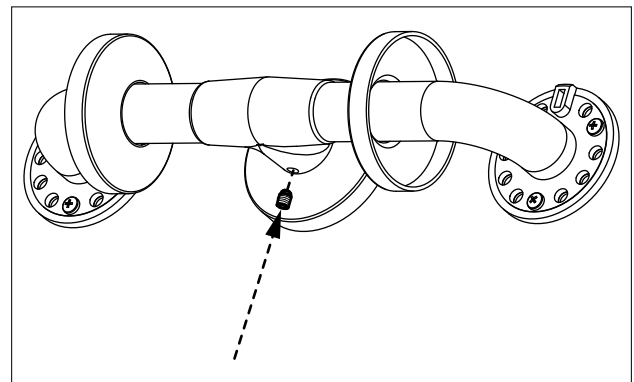


FIG.11

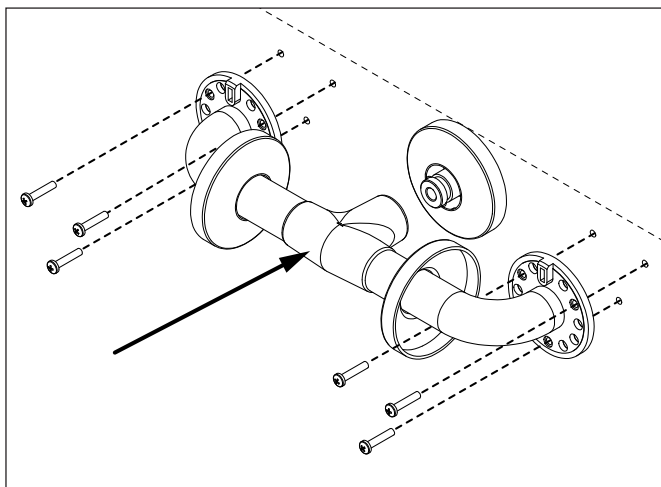


FIG.13

