

# Installation Instructions

## Board Mounted Valances

1. Boards longer than 96" will be provided in sections or hinged. Assemble wood mounting board placing connecting pins into holes on mating board. Push firmly to join boards. For hinged boards, unfold the sections and staple valance fabric at hinge points to top of board.

Measure and mark the wood mounting board 4 1/2" [115mm] in from the outside edges to determine where the outer most brackets will be placed. Space remaining brackets evenly, while making sure a bracket is placed near both sides of any board joint to ensure the board connections are aligned.

For outside mount valances, determine how far above the window casing the board will be placed. Mark the wall for bracket locations. Use spacing between brackets as determined in the previous step.

Install brackets to wall using screws and anchors (by others); ensure all brackets are level (See fig. 1).

2. Place mounting board on top of brackets (Velcro edge closest to the window if applicable). Attach mounting board to brackets. You may wish to pre-drill holes before attaching the mounting board to the bracket.

Make sure all brackets are securely screwed into wall and mounting board is tight and secure.

For Velcro attached launderable valances: Attach the window treatment to the wood mounting board using the pre-attached Velcro.

NOTE: Steam out any wrinkles that occur during shipping.

For ceiling mount, measure bracket placement as described above and mark ceiling according to the measurements. Install brackets to ceiling using screws and anchors (by others). Place mounting board on lip of brackets, Velcro edge closest to the window. Using screws, attach mounting board to brackets. You may wish to mark the bracket placement and pre-drill holes before attaching the mounting board to the bracket (See fig. 2). Follow instructions above to hang window treatment.

For inside mount depths that do not allow for the use of the Z-bracket, drill through the board into the header, cutting a small slit in the fabric prior to avoid snagging the valance fabric. Secure with appropriate screws/anchors based on substrate (by others).

FIG. 1

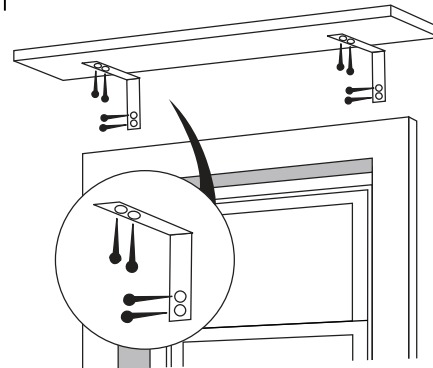
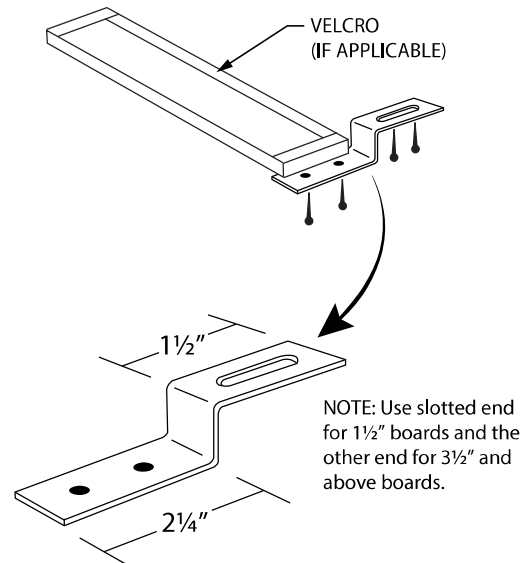


FIG. 2



IPC.604/REV.3

JUNIPER™ Commercial Window Treatments

inpro.com • 800.222.5556 • 262.679.9010

World Headquarters S80 W18766 Apollo Drive, Muskego, WI 53150 USA

Installation Hotline: 866.394.6776

**inpro**®