

PROFLO® Membrane Drain Installation Instructions

Please read all instructions before installing products.

RECOMMENDED TOOLS:

- Caulk Gun
- Trowel
- Utility Knife
- Philips Screw Driver
- 7/16" nut driver or socket wrench
- Hammer
- Concrete Chisel
- Tape Measure
- Safety glasses
- Face Shield
- Dust mask
- 4 1/2" & 7" Core Saw



INSTRUCTIONS:

1. Pick the membrane drain that is appropriate for your connection type. See pg. 3 for connection type options.
2. Drill a 4 1/2" diameter core hole at the drain location.
3. Drill a 7" diameter core hole 1 3/8" deep at the drain location and chip out the 7" diameter hole to 1 3/8" deep.
4. Install your pipe.
5. Install the drain body on to the pipe so that the top of the flange sits a minimum of either 3/8" or 7/8" below the floor, depending on your receptor type. See below. Verify that the drain body is level.
6. Cement the drain body to the floor.

Note:

- Cover the top of the drain with duct tape or something similar to prevent cement from getting on the top of the drain body or down the drain hole.

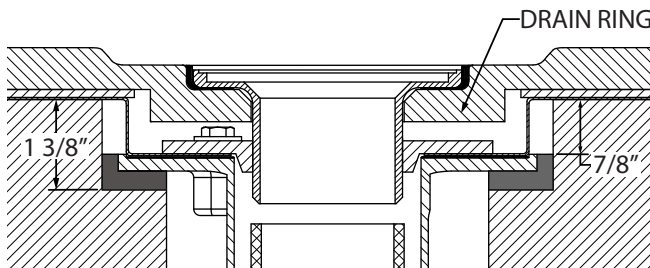
7. Install the drain manufacturer's recommended membrane per the manufacturer's installation instructions.

Note:

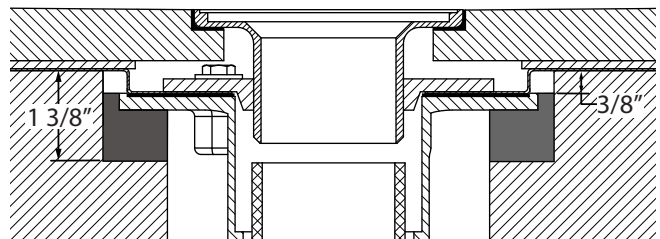
- Apply a bead of silicone to the top outside edge of the drain body before the bladder is installed to create a water tight seal.
- Make a cutout for the drain hole which is slightly larger than the drain hole so the membrane doesn't block the weep holes in the clamping ring.
- Cut small slits where each bolt is so you can press the bolts through the slits.

8. Install the clamping ring.

RECEPTOR W/DRAIN RING



FLAT BOTTOM RECEPTOR



NOTE: MINIMUM FLANGE HEIGHT IS CRITICAL IN PREVENTING THE FLANGE BOLTS FROM CONTACTING THE UNDERSIDE OF THE SHOWER PAN

IPC.3013/REV.4

ENDURANT® Washroom Systems

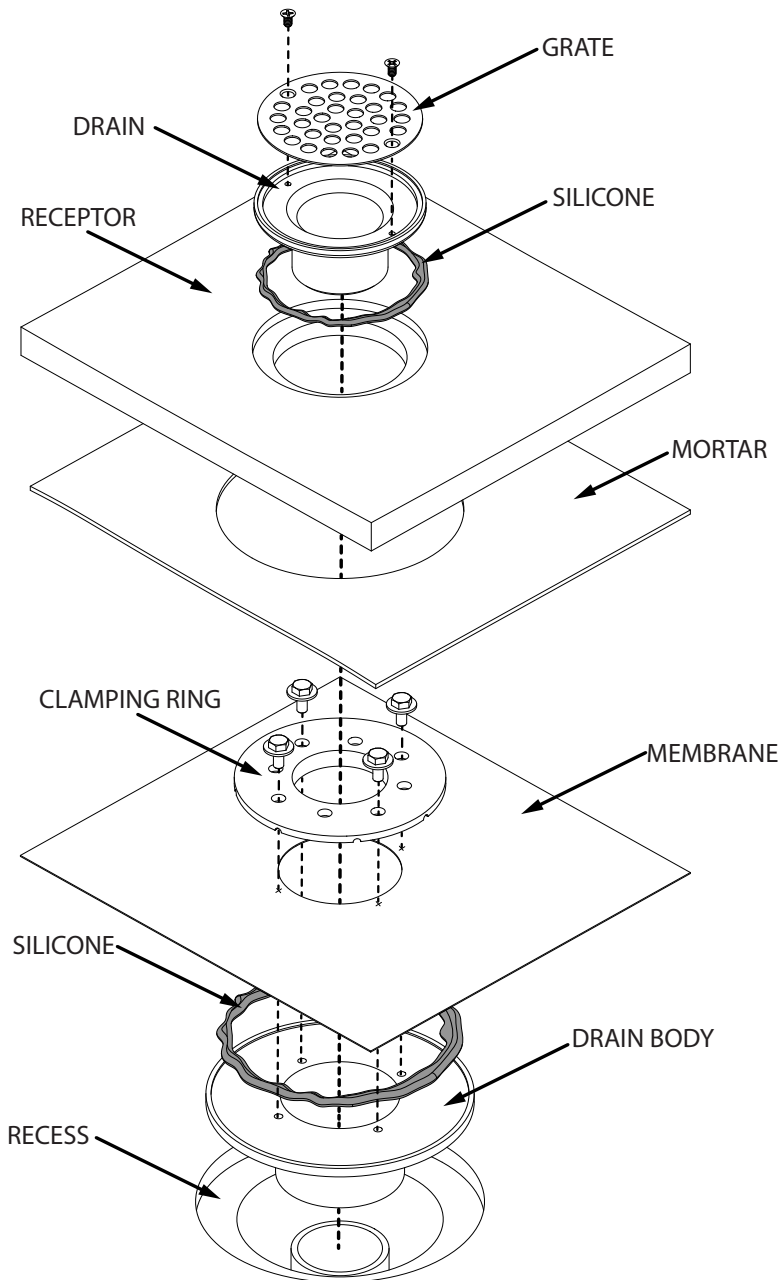
inpro.com • 800.222.5556 • 262.679.9010

World Headquarters S80 W18766 Apollo Drive, Muskego, WI 53150 USA

Installation Hotline: 866.394.6776

inpro®

PROFLO® Membrane Drain Installation Instructions



Note:

- Make sure that the weep holes are not blocked.

9. Check that your floor is level and apply shims if necessary.

10. Apply mortar per the receptor install instructions.

Note:

Do not get mortar in the drain recess, this can block the weep holes or interfere with the installation of the receptor.

11. Install the receptor per the receptor install instructions.

12. Apply a bead of silicone to the top of the drain flange.

13. Screw the drain into the drain body, make sure the silicone creates a seal between the drain and the drain flange on the receptor.

14. Clean up excess silicone with denatured alcohol.

15. Install the strainer (omit this step if you are installing a "trench" style receptor).

* These instructions were tested with Oatey® 40 Mil Gray PVC Shower Liner - 41597

ENDURANT® Washroom Systems

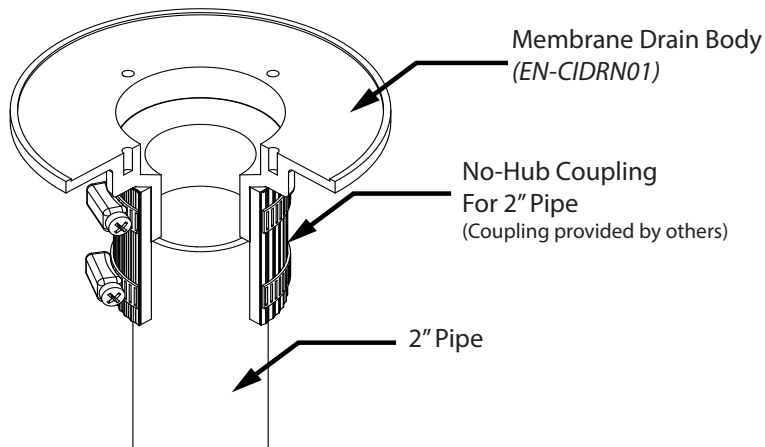
inpro.com • 800.222.5556 • 262.679.9010

World Headquarters S80 W18766 Apollo Drive, Muskego, WI 53150 USA

Installation Hotline: 866.394.6776

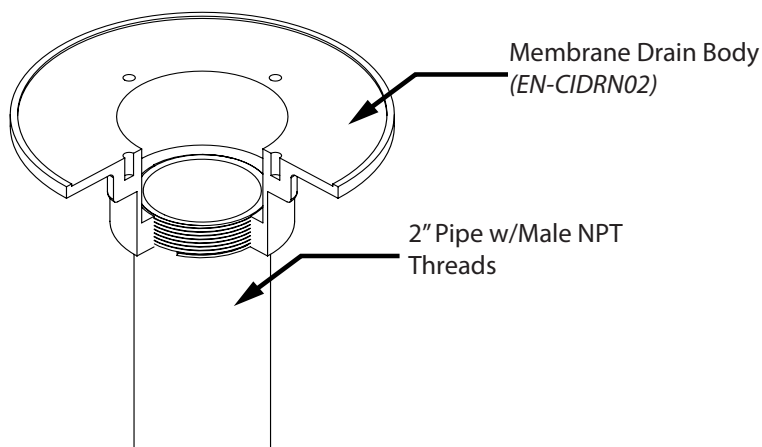
inpro®

PROFLO® Membrane Drain Installation Instructions



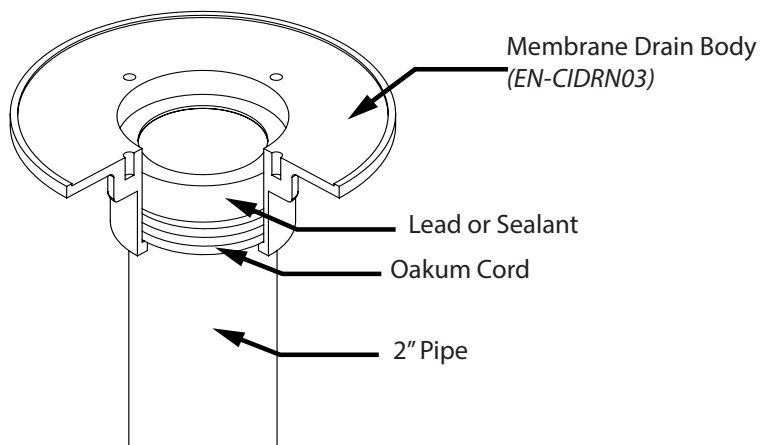
NO-HUB *EN-CIDRN01 (PF42958RD)*

A No-Hub connection is created by butting a No Hub soil pipe or pvc pipe to the bottom of the drain and securing it with a No-Hub Coupling (Coupling provided by others).



THREADED *EN-CIDRN02 (PF42957RD)*

A Threaded connection is used when you have a 2" pipe that has Male NPT threads on the end of the pipe. Apply pipe thread sealant to the male threads and screw the drain body on until the connection is tight.



INSIDE CAULK *EN-CIDRN03 (PF42959RD)*

An Inside Caulk connection is used when you have a bottomless hub into which the drain pipe is inserted. The bottom of the coupling is sealed by pressing Oakum cord into the space between the pipe and the hub. The connection is then sealed by filling the top with molten lead (soil pipe) or sealant (pvc pipe). This can be used with either soil pipe or pvc pipe.

ENDURANT® Washroom Systems

inpro.com • 800.222.5556 • 262.679.9010

World Headquarters S80 W18766 Apollo Drive, Muskego, WI 53150 USA

Installation Hotline: 866.394.6776

inpro®