

Installation Instructions

Please read all instructions before installing corner guards.

High Impact Custom Angle Corner Guards

Models: 130, 150, 160, G2-130, G2-150, G2-160

Important

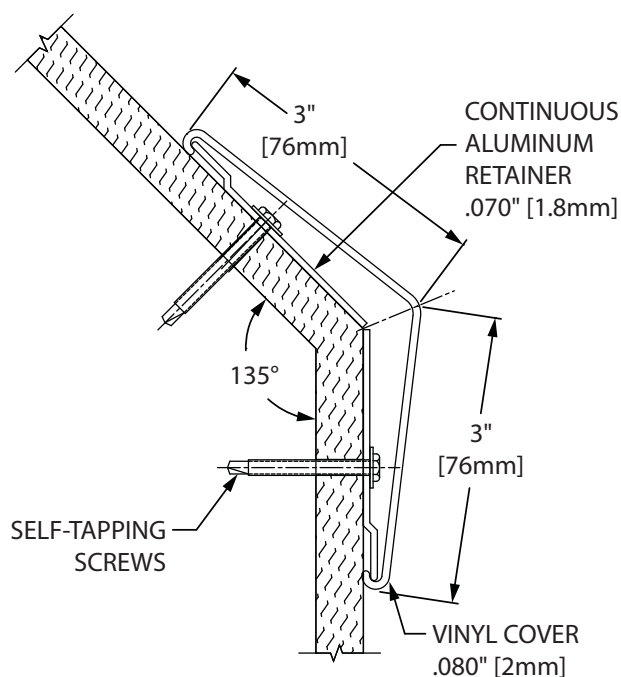
1. Acclimate materials 24 hrs before installation. Maintain temperature controlled environment after installation
2. Install in accordance with manufacturer's installation instructions. Failure to do so will void the warranty.

Installation tips

1. Cut covers up to 1/16" (1.6mm) longer to ensure a tight fit.

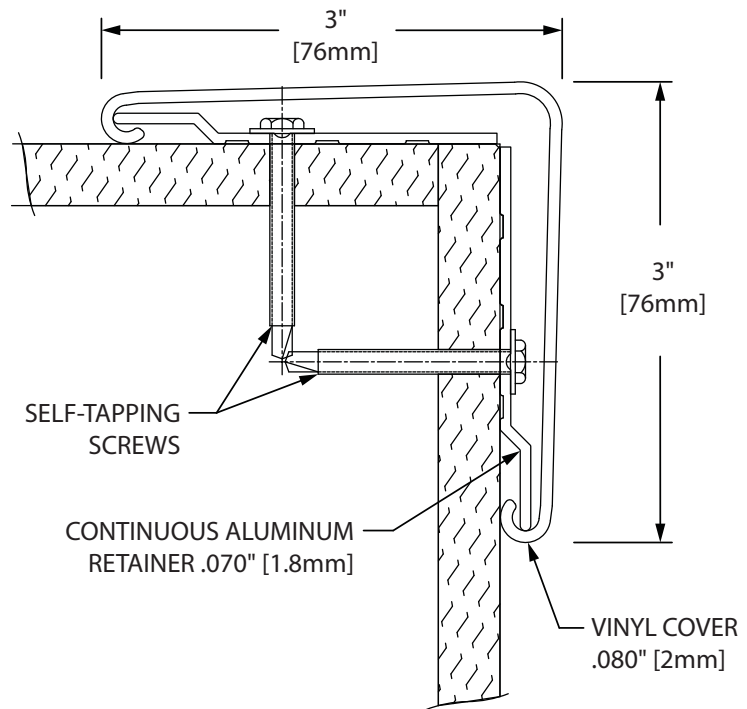
NOTE: 90° ANGLES SHOWN, BUT MADE FOR CUSTOM ANGLES.

130/G2-130

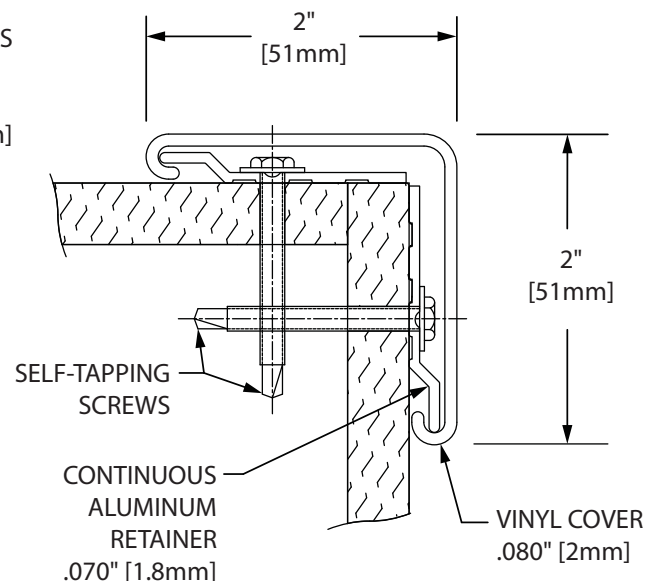


Section View

150/G2-150



160/G2-160



Recommended tools

Safety Glasses, Tape Measure, Level, Power Drill, 1/4" Socket, Drill Bits - 1/4" masonry (concrete/concrete block), Power Miter Saw, 10" Blade with 60-80 Carbide Tipped Teeth

IPC.399/REV.4

Installation Hotline • 866.EZINPRO
Inprocorp.com • 800.222.5556 • 262.679.9010
World Headquarters S80 W18766 Apollo Drive, Muskego, WI 53150 USA

IPC •
DOOR + WALL PROTECTION SYSTEMS
A DIVISION OF INPRO®

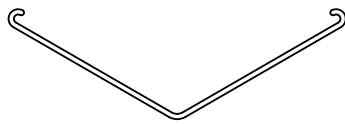
Installation Instructions

High Impact Custom Angle Corner Guards

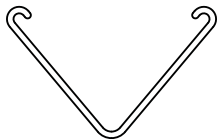
Models: 130, 150, 160, G2-130, G2-150, G2-160

Please read all instructions before installing corner guards.

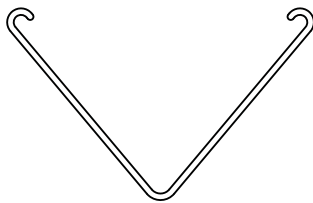
Components



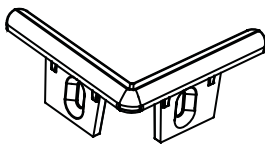
130 V
VINYL COVER
(113°-157°)



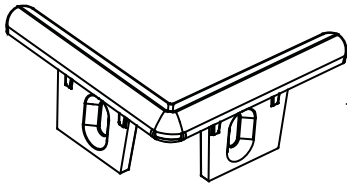
160 V
VINYL COVER
(68°-112°)



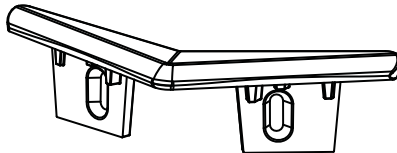
150 V
VINYL COVER
(68°-112°)



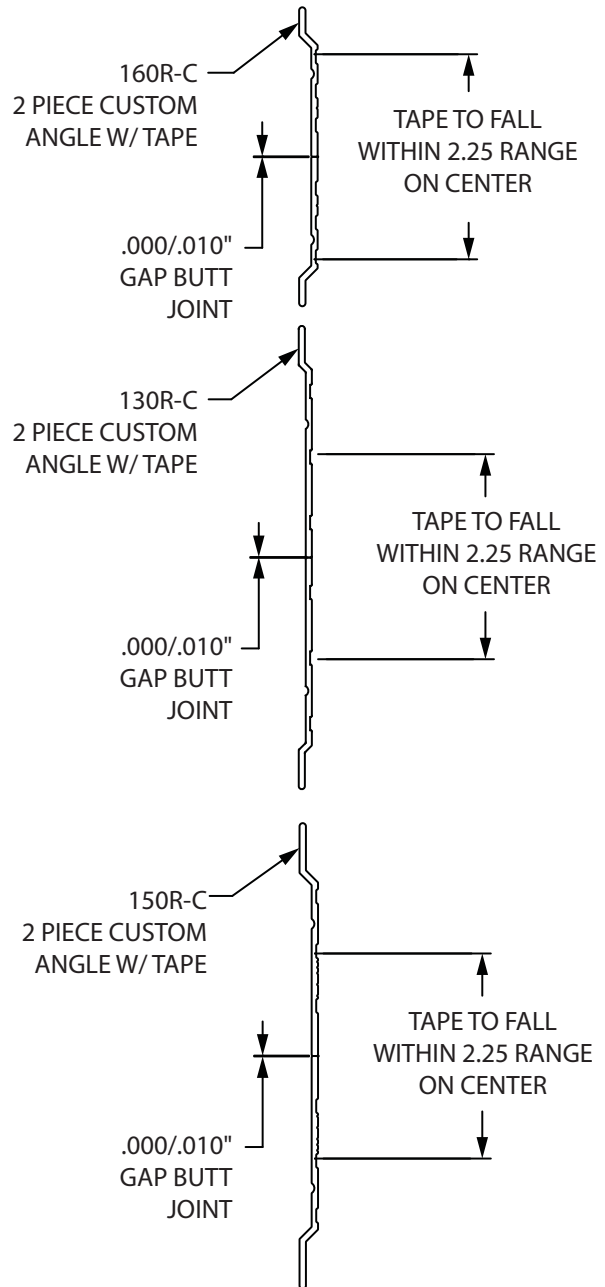
161TC-FLEX
FLEXIBLE
TOP/BOTTOM CAP



151TC-FLEX
FLEXIBLE
TOP/BOTTOM CAP



121TC-FLEX
FLEXIBLE
TOP/BOTTOM CAP



Condition	Specified Fasteners	Inpro Part #
Drywall/Wood	#8 x 1 1/2" Phillips Indented Hex Self-Drilling Screw #8 x 1 1/4" Phillips Flat Head Self-Tapping Screw	HWK-HIGC4DW (4') HWK-HIGC8DW (8') HWK-HIGC9DW (9'-12')
Concrete	#10 1 3/4" Phillips Pan Head Sheet Metal Screw #8 x 1 1/2" Phillips Flat Head Sheet Meat Screw 1/4" Plastic Alligator Anchor	HWK-HIGC4C (4') HWK-HIGC8C (8') HWK-HIGC9C (9'-12')

Installation Hotline • 866.EZINPRO
Inprocorp.com • 800.222.5556 • 262.679.9010
World Headquarters S80 W18766 Apollo Drive, Muskego, WI 53150 USA

IPC •
DOOR + WALL PROTECTION SYSTEMS
A DIVISION OF INPRO®

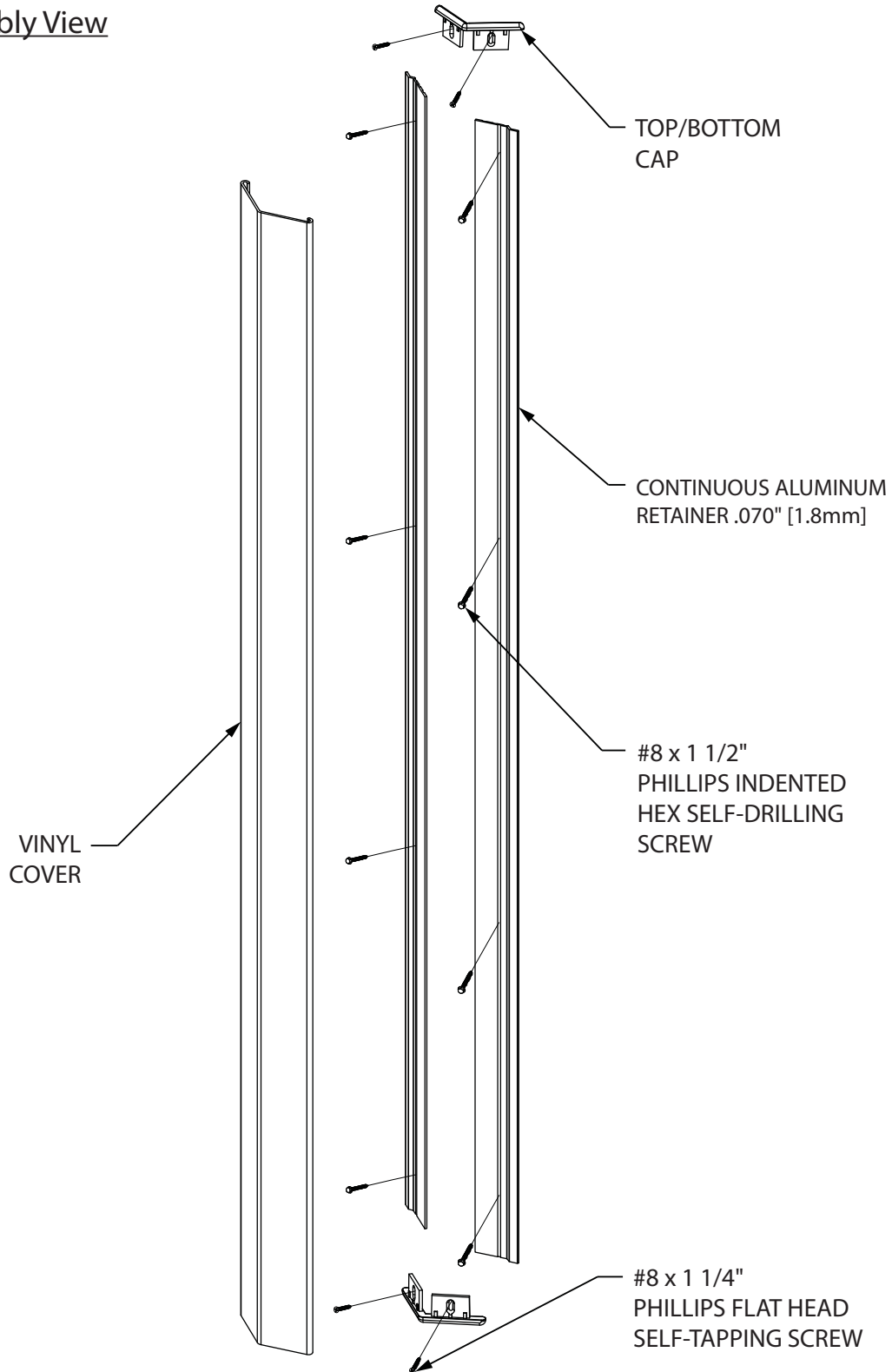
Installation Instructions

High Impact Custom Angle Corner Guards

Models: 130, 150, 160, G2-130, G2-150, G2-160

Please read all instructions before installing corner guards.

Exploded Assembly View



Installation Hotline • 866.EZINPRO
Inprocorp.com • 800.222.5556 • 262.679.9010
World Headquarters S80 W18766 Apollo Drive, Muskego, WI 53150 USA

IPC •
DOOR + WALL PROTECTION SYSTEMS
A DIVISION OF INPRO®

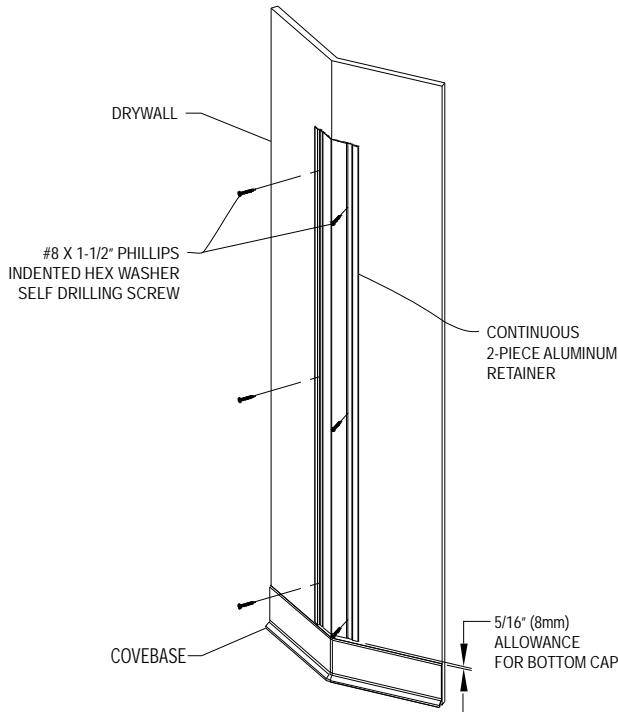
Installation Instructions

High Impact Custom Angle Corner Guards

Models: 130, 150, 160, G2-130, G2-150, G2-160

Please read all instructions before installing corner guards.

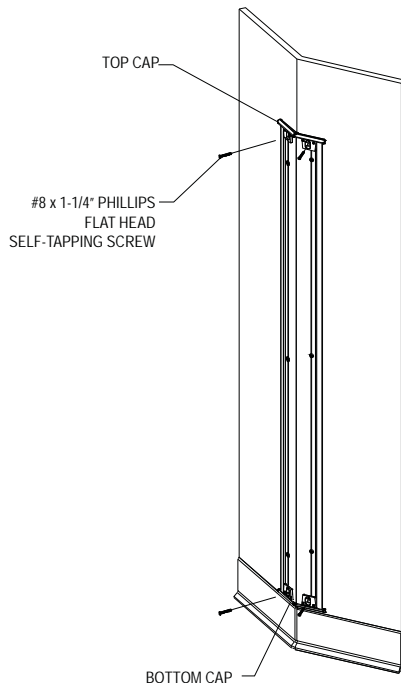
FIG. 1



1. Position aluminum retainer against wall (tape side against the wall), leaving allowance for bottom cap. Allow the retainer to conform to the angle of the wall. Secure retainer to the wall by staggering fasteners on each wing of the retainer. SEE FIG. 1

Note: For concrete installation, use the slotted tabs on the top and bottom caps to transfer and drill 1/4" (6.5mm) holes into the ends of the retainer. Also drill 1/4" (6.5mm) holes staggered on each wing of the retainer. Drill 4 holes per 3' (.91m) length, 6 holes per 4' (1.22m) length, 10 holes per 8' (2.44m) length or 12 holes per 9' (2.74m) length. Transfer the location of all mounting holes to the wall. Drill marked holes on wall using a 1/4" (6mm) drill bit and position Alligator anchors into holes. Mount retainer on wall with #10 x 1 3/4" phillips pan head screws and tighten to secure.

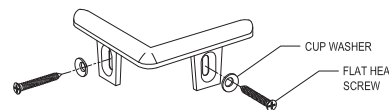
FIG. 2



2. Overlap the retainer with the mounting tabs of the top and bottom caps and attach them to retainer. Stagger the fasteners on each wing of the cap. SEE FIG. 2
Use cup washers and flat head screws to fasten the top caps to the retainer. SEE FIG. 2a

Note: For concrete installation, overlap the retainer with the mounting tabs of the top and bottom caps and attach them to retainer and into the Alligator anchors using two, #8 x 1 1/2" phillips flat head screws per cap.

FIG. 2a



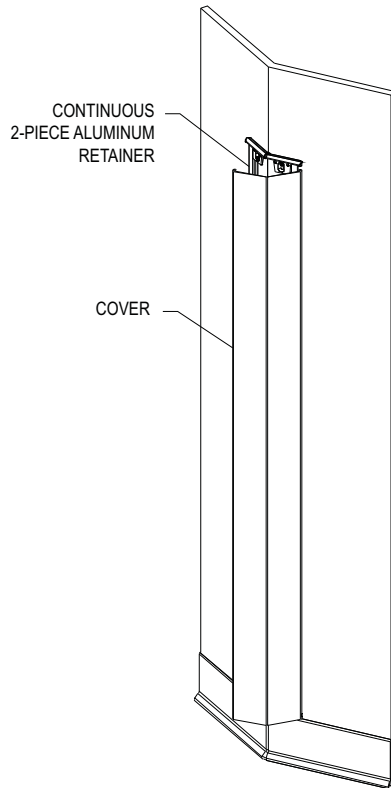
Installation Instructions

High Impact Custom Angle Corner Guards

Models: 130, 150, 160, G2-130, G2-150, G2-160

Please read all instructions before installing corner guards.

FIG. 3



3. Position cover on retainer and adjust the top cap for a tight fit. Starting at the top, push cover onto retainer pressing over the entire length until it snaps into place.
SEE FIG. 3

Installation Hotline • 866.EZINPRO

Inprocorp.com • 800.222.5556 • 262.679.9010

World Headquarters S80 W18766 Apollo Drive, Muskego, WI 53150 USA

IPC®

DOOR + WALL PROTECTION SYSTEMS
A DIVISION OF INPRO®