

Installation Instructions

JOS-Dock075

Read all installation instructions before installing product. If retrofitting a parking area, always use cones, barrels or other means to secure the area and alert motorists.

Fig.1

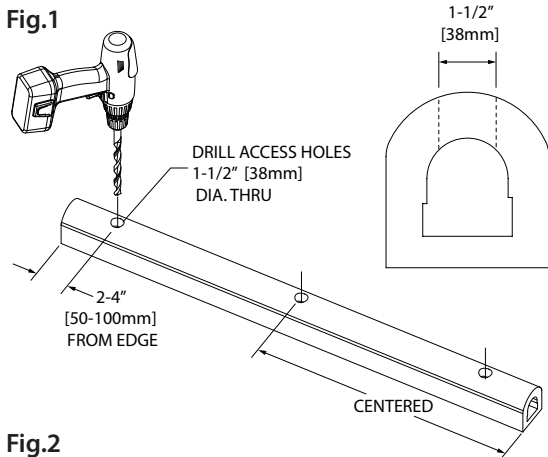


Figure 1

1. Using a 1-1/2" [38mm] dia. drill bit; drill access holes on the rounded top face of the dock guard. Locate the holes 2-4" [50-100mm] from each edge and centered on length. For lengths 12" [304mm] or shorter only two (2) hole locations are required.

Figure 2

2. Drill pilot holes through the back wall using a $\text{\O} 3/16"$ [5mm] drill bit. Ensure holes are completely thru and centered with access holes.

Fig.2

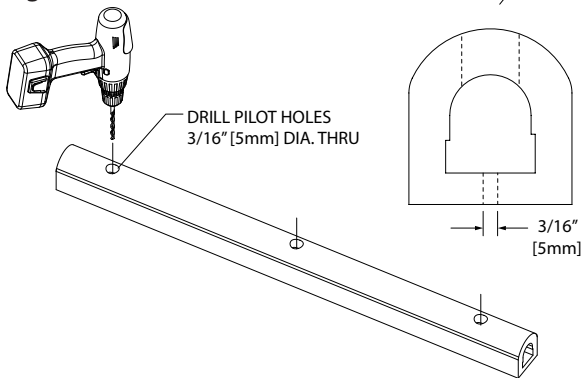


Figure 3

3. Orient and position the dock guard to the proper location on the wall. Using the pre-drill pilot holes, mark the hardware locations on the substrate.

Figure 4

4. Drill 2" [50mm] deep pilot holes into substrate at the marked hole locations using a 3/16" [38mm] drill bit. Ensure the holes are clean and free of debris.

Figure 5

5. Return dock guard to position on the wall and secure in place using the supplied JK184 hardware pack.

Fig.3

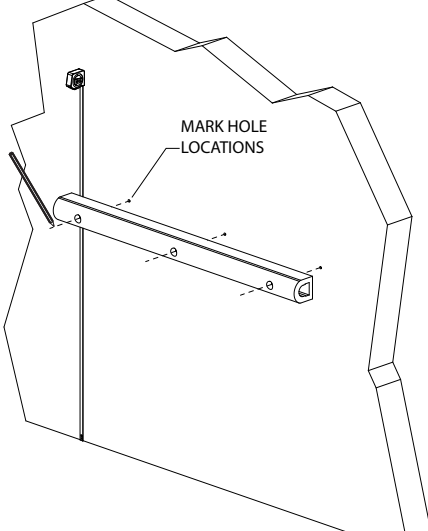


Fig.4

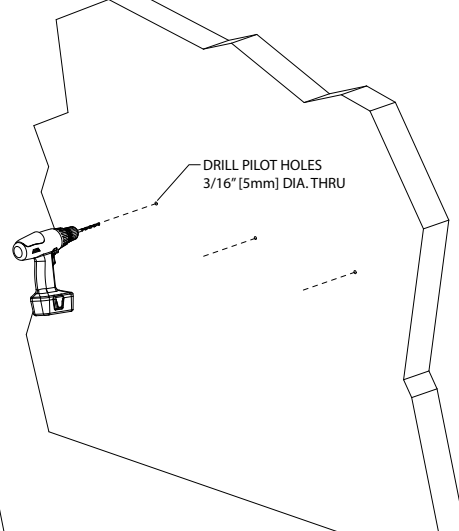
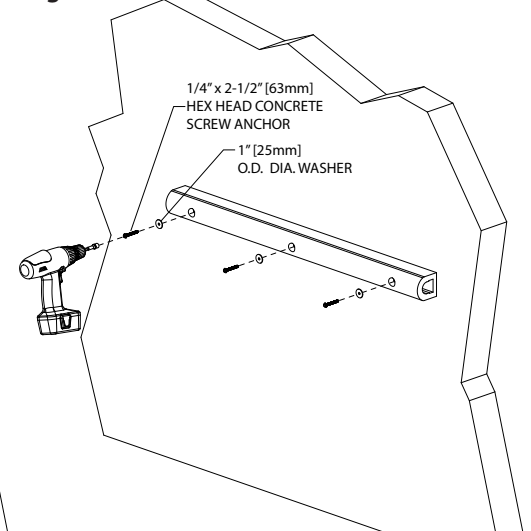


Fig.5



IPC.1610/REV.1