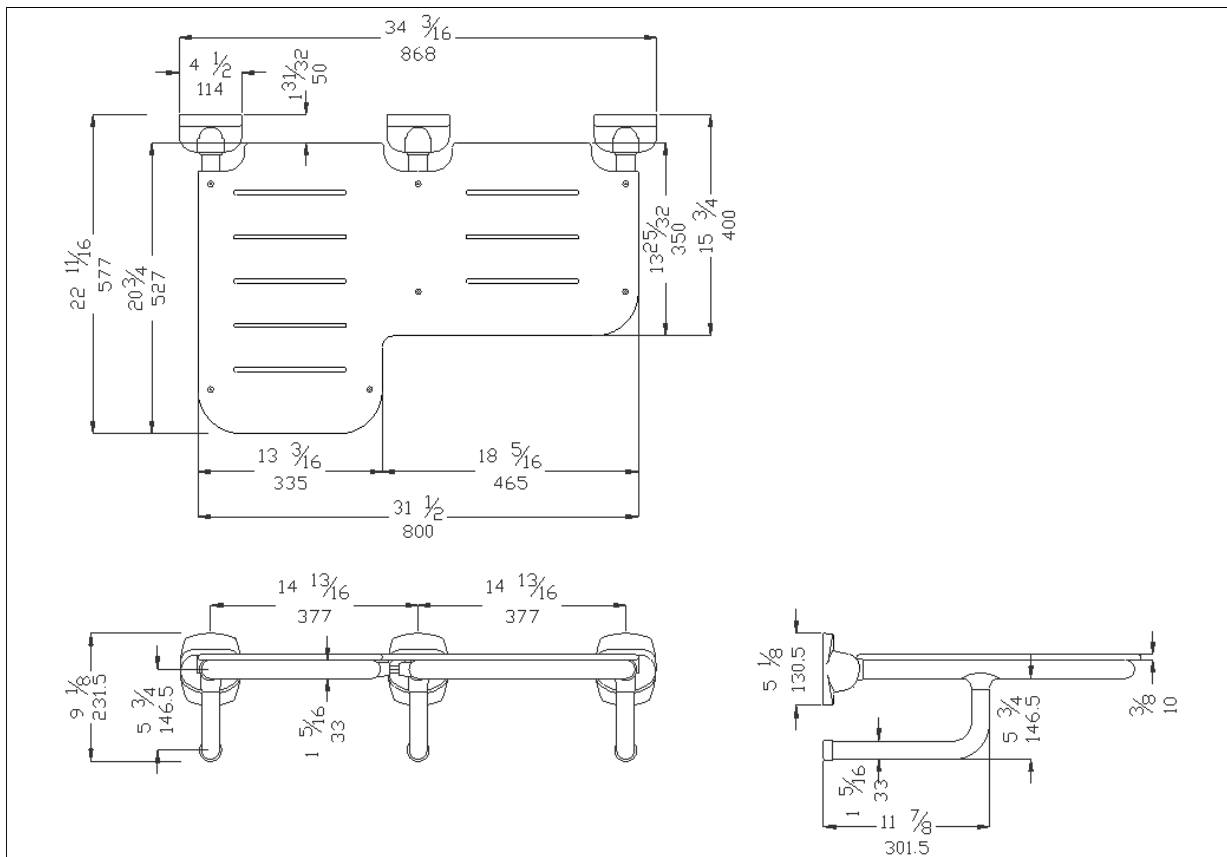


# Double Folding Seat

## Technical Data



Double shower folding seat manufactured with heavy duty coated frame and phenolic platform

*Code*  
**DSGBPHDFSR**      *Series*  
**Vinyl Coated Tub & Shower Seats**

Net weight lb. 14,99    Dimensions [WxDxH] In. 34 3/16x22 11/16x9 1/8

In use weight capacity    *Vertical lb.* 449,74

### Use and installation info

*Use*

*Cleaning*

*Fasteners*

### Packaging information

*Type of package*

*Dimensions [WxDxH] In.* 18 5/16x9 5/8x18 1/2    *Weight lb.* 17,20

### Available Colours

*WHT - WHITE*

*IVRY - IVORY*



06/17/2020