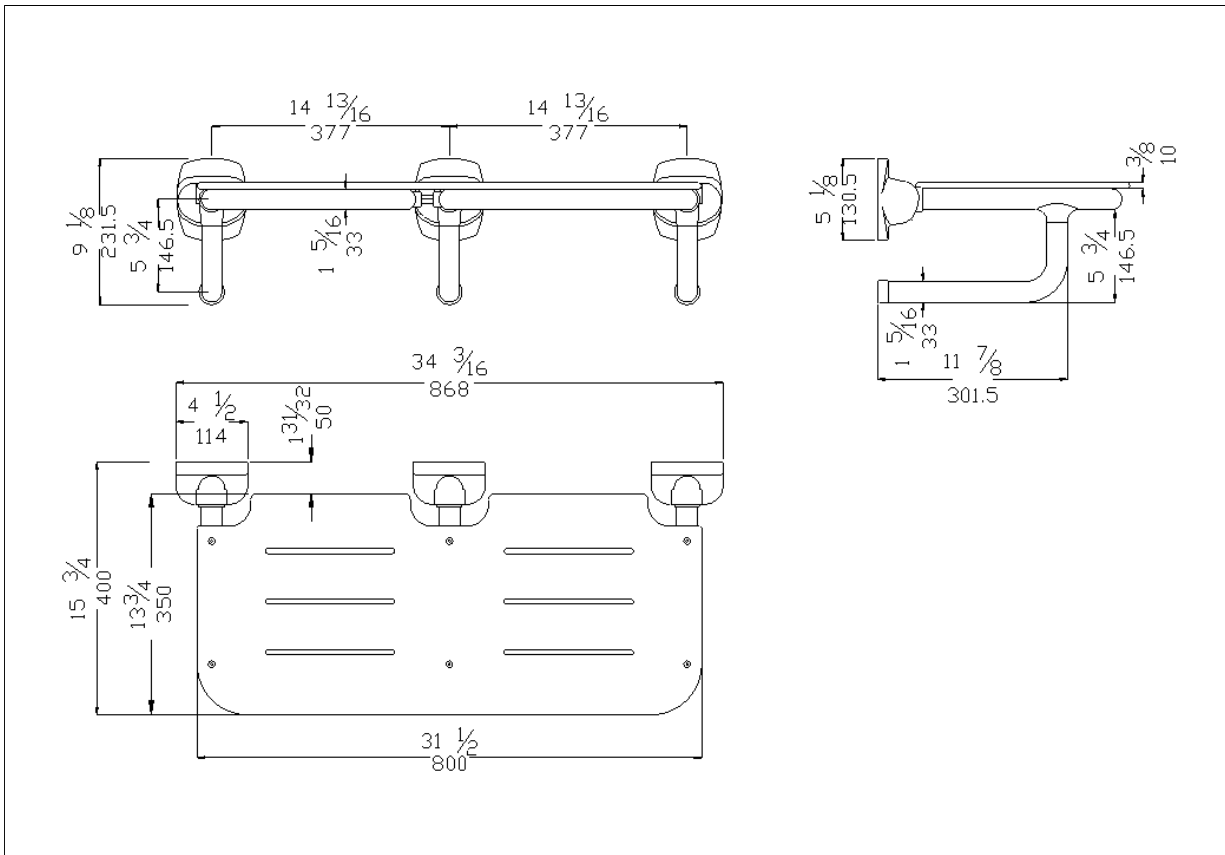


# Double Folding Seat

## Technical Data



Rectangular shower seat manufactured with heavy duty coated frame and phenolic platform

Code **DSGBRSS** Series **Vinyl Coated Tub & Shower Seats**

Net weight lb. 14,99 Dimensions [WxDxH] In. 34 3/16x15 3/4x9 1/8

In use weight capacity Vertical lb. 451,95

### Use and installation info

Use

Cleaning

Fasteners

### Packaging information

Type of package

Dimensions [WxDxH] In. 18 5/16x9 5/8x18 1/2 Weight lb. 17,20

### Available Colours

WHT - WHITE

IVRY - IVORY



06/17/2020