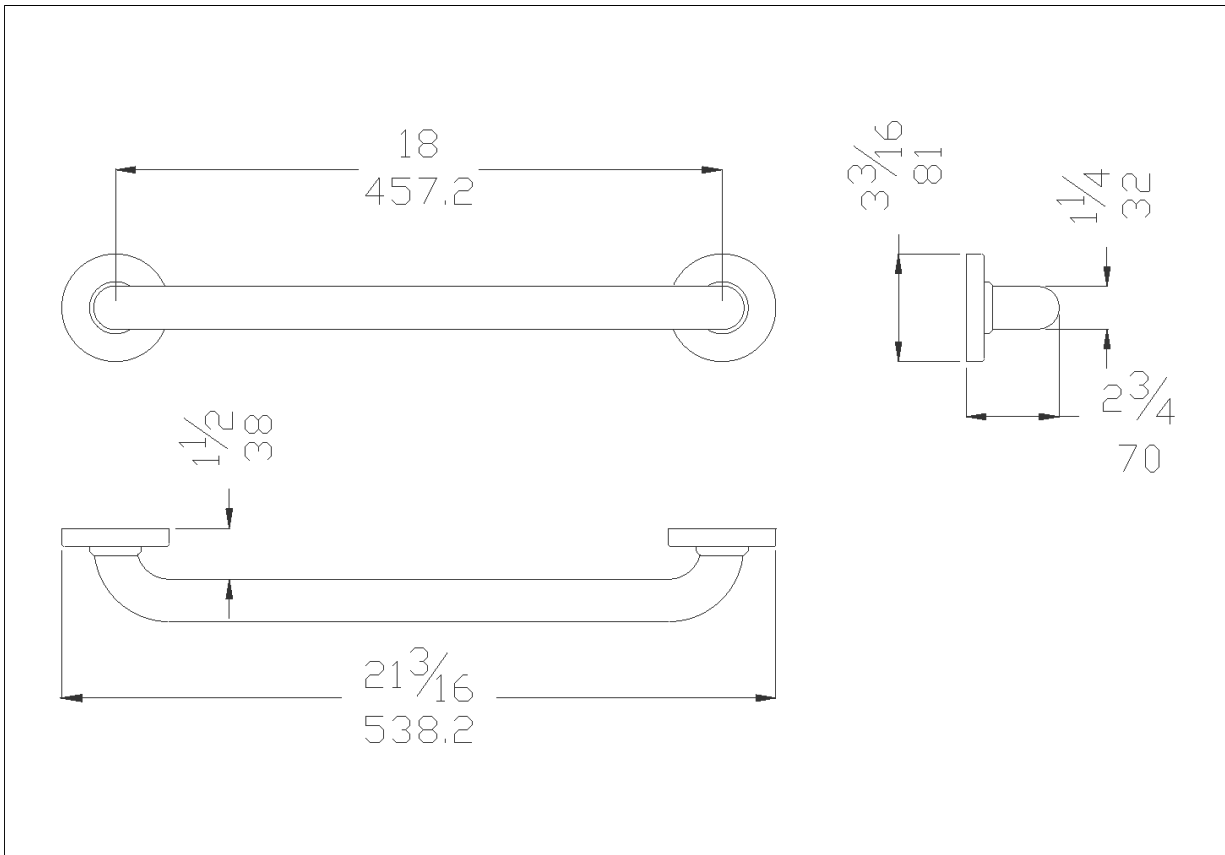


# Straight Grab Bar - 18"

## Technical Data



### Straight Safety Support

Code **DSGBVST18** Series **Vinyl Coated Grab Bars**

Net weight lb. Dimensions [WxDxH] In. 21 3/16x2 3/4x3 3/16

In use weight capacity Vertical lb. 449,74

### Use and installation info

Use

Cleaning

Fasteners

### Packaging information

Type of package

Dimensions [WxDxH] In. Weight lb. 2,78

### Available Colours

WHT - WHITE

IVRY - IVORY



06/17/2020