

F140-2IM-02WL

JOINT WIDTH		MOVEMENT ±			
		HORIZONTAL		VERTICAL	
US	mm	US	mm	US	mm
2"	51	1"	25	-	-

NOTES:

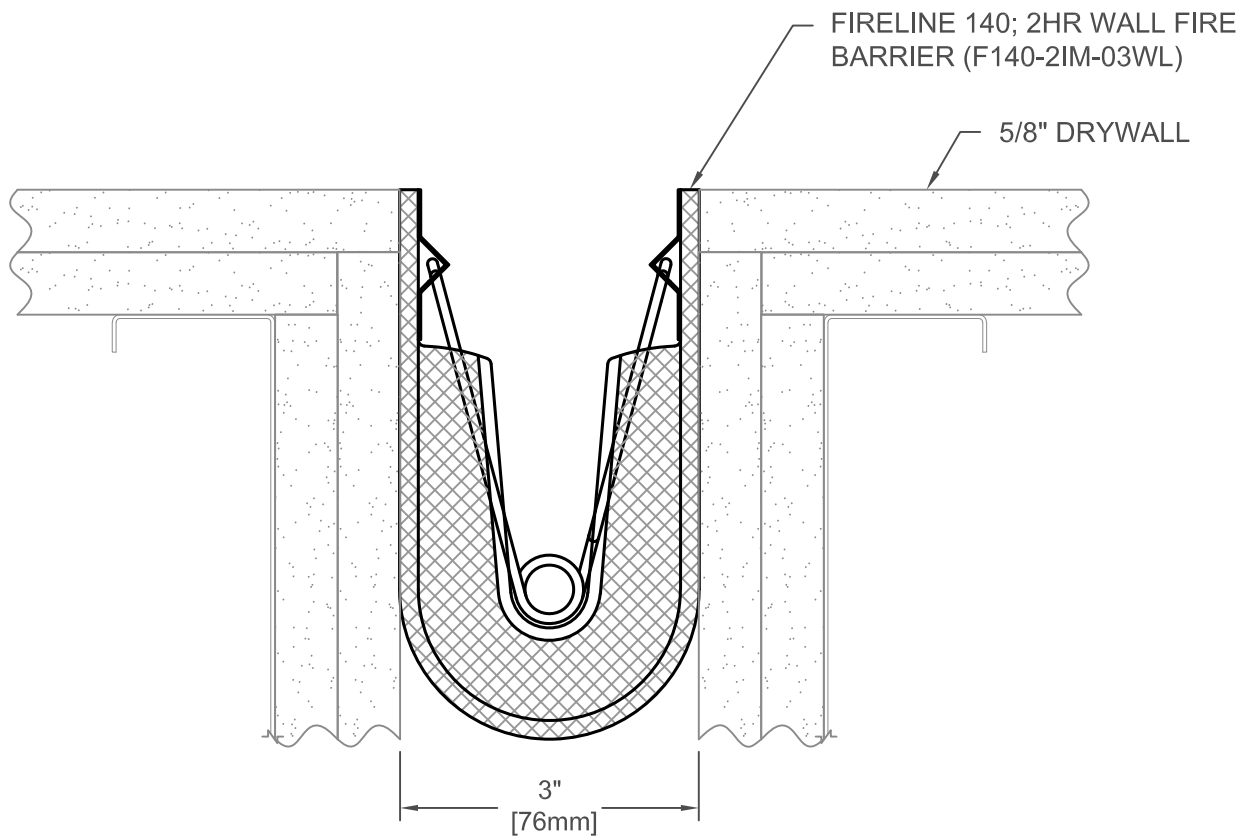
1. FIRE BARRIER INSTALLATION JOINT WIDTH TOLERANCE: -0.0/+0.50 [12mm]
2. RATED SUBSTRATE MUST BE IN COMPLIANCE WITH UL ASSEMBLY REQUIREMENTS (BY OTHERS)

FINISH: N/A
PROJECT:
CUSTOMER:
LOCATION:

F140 WALL FIRE BARRIER	DATE: 12/20/17
	SCALE: 1:2
	DOC: CADJM.193/R3



For More Information Visit: Inprocorp.com



F140-2IM-03WL

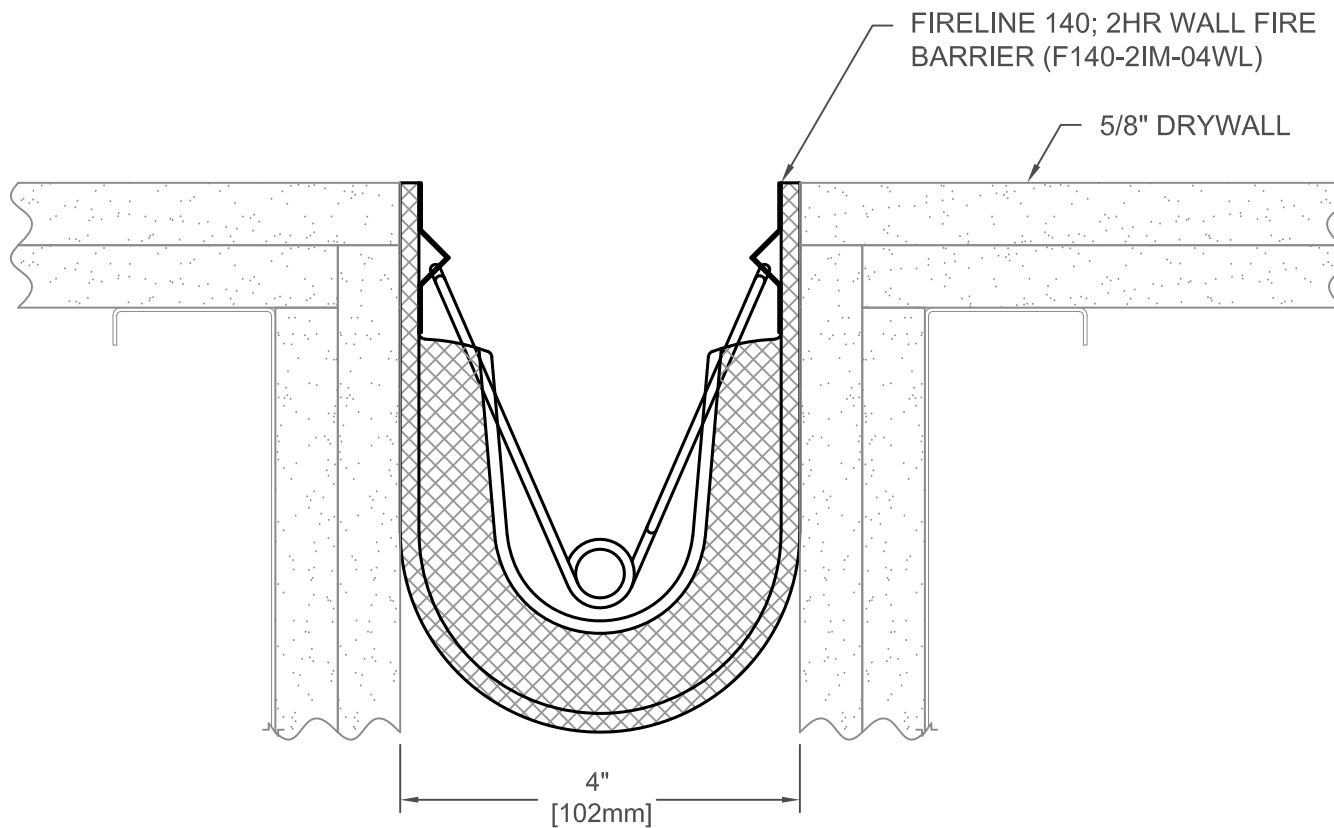
JOINT WIDTH		MOVEMENT ±			
		HORIZONTAL		VERTICAL	
US	mm	US	mm	US	mm
3"	76	1 1/2"	38	-	-

RATED SUBSTRATE MUST BE IN COMPLIANCE WITH UL ASSEMBLY REQUIREMENTS (BY OTHERS)

FINISH: N/A
PROJECT:
CUSTOMER:
LOCATION:

F140 WALL FIRE BARRIER

DATE:	12/20/17
SCALE:	1:2
DOC:	CADJM.193/R3



F140-2IM-04WL

JOINT WIDTH		MOVEMENT ±			
US	mm	HORIZONTAL		VERTICAL	
US	mm	US	mm	US	mm
4"	102	2"	52	-	-

RATED SUBSTRATE MUST BE IN COMPLIANCE WITH UL ASSEMBLY REQUIREMENTS (BY OTHERS)

FINISH: N/A
PROJECT:
CUSTOMER:
LOCATION:

F140 WALL FIRE BARRIER

DATE:	12/20/17
SCALE:	1:2
DOC:	CADJM.193/R3



For More Information Visit: Inprocorp.com