

# Installation Instructions

## Headboard - Style 2

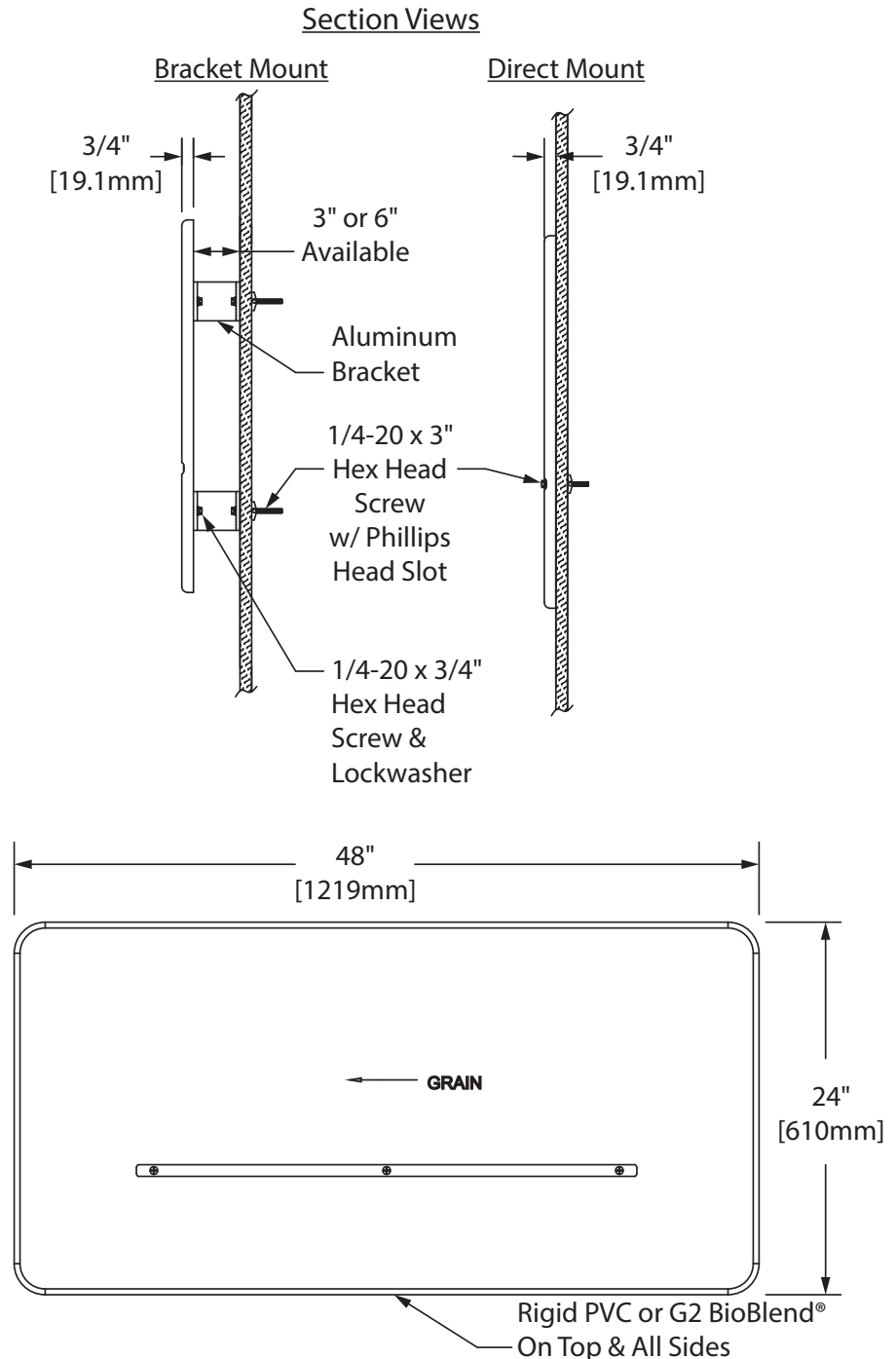
Please read all instructions before installing wallguard.

### Important

1. Install product in environmentally controlled conditions.
2. Acclimate materials 24 hrs before installation. Maintain temperature controlled environment after installation.
3. Installers should be familiar with the installation of fine finished wood products.
4. Install in accordance with manufacturer's installation instructions. Failure to do so will void the warranty.

### Installation tips

1. Wood is a natural material, therefore component color may vary. Sort the parts by color (light to dark) before use.
2. When storing straight lengths of material, lay product flat on supported surface. Do not lean the rails or lay them on unsupported parallel saw horses.



### RECOMMENDED TOOLS

Safety Glasses, Tape Measure, Level, Chalk Line, Power Drill, Drill Bits, Screwdrivers and Sockets or Hex Drive Set

IPC.231/REV.2

IPC® Door + Wall Protection

inpro.com • 800.222.5556 • 262.679.9010

World Headquarters S80 W18766 Apollo Drive, Muskego, WI 53150 USA

Installation Hotline: 866.394.6776

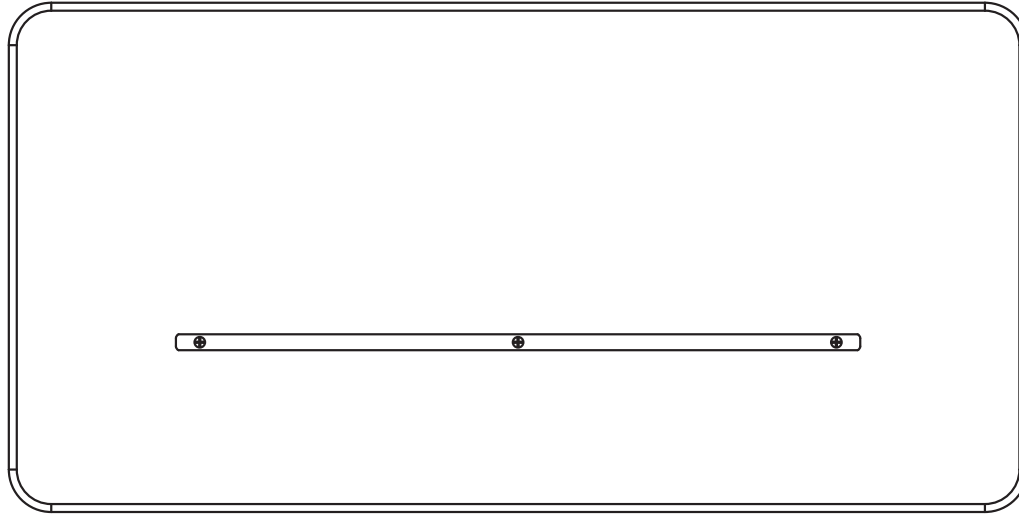
**inpro**®

# Installation Instructions

## Headboard - Style 2

Please read all instructions before installing wallguard.

### Components



HB2  
Palladium Headboard



HBBRKT-6x37  
6" Bracket



HBBRKT-3x37  
3" Bracket

### Fasteners

Wall Condition	Specified Fasteners	Inpro part #
Gypsum Wall-Metal Stud Flush Mount	1/4"-20 x 3" Phillips Hex Head Toggle Bolt, Lockwasher and Toggle Wing Nut	HWK-HB-DRM
Gypsum Wall-Metal Stud w/ Brackets	1/4-20x3/4" Hex Head Cap, 6mm Hex Drive Knife Thread Insert, Lockwasher, 3" Toggle Bolt and Wing Nut	HWK-HB-DBRK
Gypsum Wall-(California) Flush Mount	#10 x 1 3/4" Phillips Pan Head	HWK-HB-DCAFM
Gypsum Wall-(California) w/ Brackets	1/4-20x3/4" Hex Head Cap, 6mm Hex Drive Knife Thread Insert, Lockwasher, #10x1 3/4" Phillips Pan Head	HWK-HB-DCABRK
Wood Stud-Flush Mount	1/4" x 3" Hex Head Wood Screw and Lockwasher	HWK-HB-WFM
Wood Stud-w/ Brackets	1/4"-20x3/4" Hex Head Cap, 6mm Hex Drive Knife Thread Insert, Lockwasher, 1/4"x3" Hex Head Wood Screw	HWK-HB-WBRK
Concrete-Flush Mount	1/4"-20x3" Phillips Hex Head Toggle Bolt, Lockwasher, 1/4-20x1/2" Diameter Lead Anchor	HWK-HB-CFM
Concrete-w/ Brackets	1/4-20x3/4" Hex Head Cap, 6mm Hex Drive Knife Thread Insert, Lockwasher, 3" Toggle Bolt and Lead Anchor	HWK-HB-CBRK
Concrete-(California) Flush Mount	Kwik-Con II+ 3/16" x 1 3/4" THWH	HWK-HB-CCAFM
Concrete-(California) w/ Brackets	1/4"-20x3/4" Hex Head Cap, 6mm Hex Drive Knife Thread Insert, Lockwasher, Kwik-Con II+ 3/16"x1 3/4" THWH	HWK-HB-CCABRK

IPC® Door + Wall Protection

inpro.com • 800.222.5556 • 262.679.9010

World Headquarters S80 W18766 Apollo Drive, Muskego, WI 53150 USA

Installation Hotline: 866.394.6776

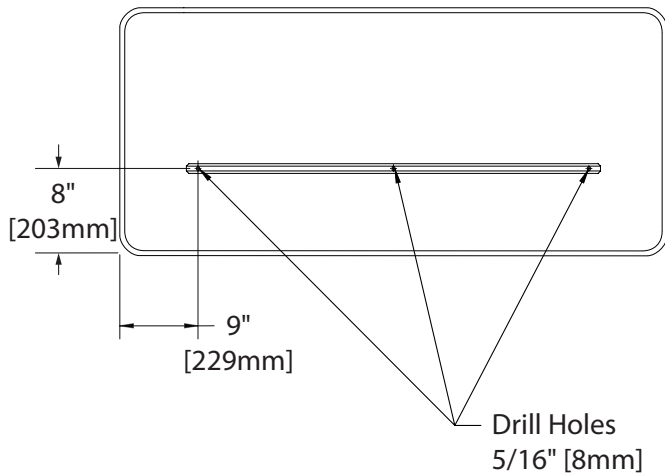
**inpro**®

# Installation Instructions

## Headboard - Style 2

Please read all instructions before installing wallguard.

FIG. 1



### Direct Wall Mount

1. Drill three  $\frac{5}{16}$ " [8mm] holes through the head board, in the  $\frac{3}{4}$ " [19mm] horizontal recess that is 8" [203mm] from the bottom of the Headboard. Drill holes in the center of the recess and 9" [229mm] in from each edge of the headboard. SEE FIG. 1
2. Hold the headboard on the wall and transfer the hole locations to the wall making sure headboard is level. SEE FIG. 2
3. Drill marked holes with  $\frac{3}{4}$ " [19mm] drill bit for toggle bolts (drywall installation) or  $\frac{1}{2}$ " [13mm] drill bit for lead anchor (concrete wall installation). If installing into wood studs or a wood backer drill a  $\frac{5}{32}$ " [4mm] pilot hole for the wood screws.
4. Place fasteners through the mounting holes in the headboard and attach the headboard to the wall. Check for level and securely tighten all fasteners. SEE FIG. 3

FIG. 2

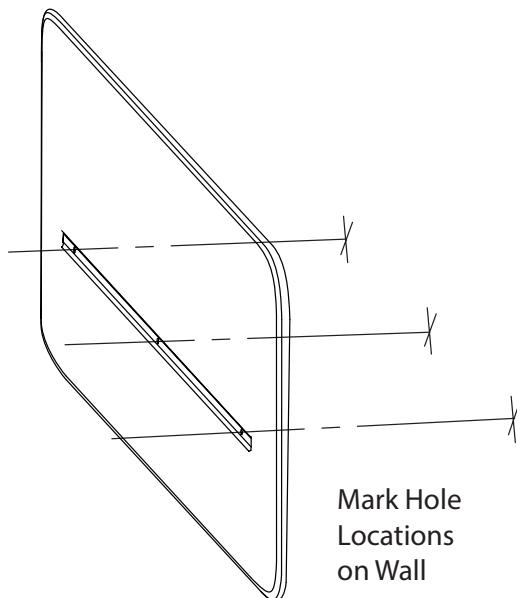
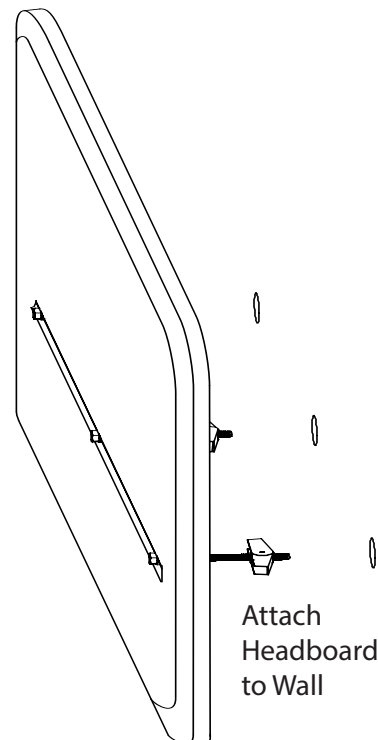


FIG. 3

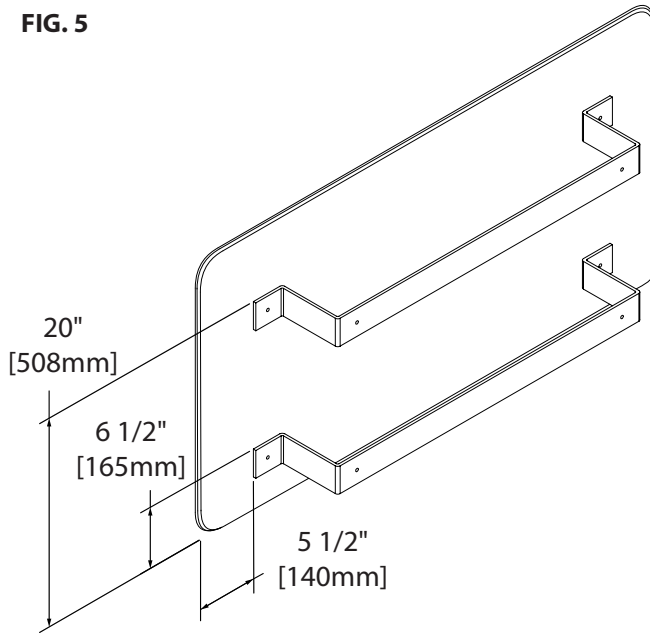


# Installation Instructions

## Headboard - Style 2

Please read all instructions before installing wallguard.

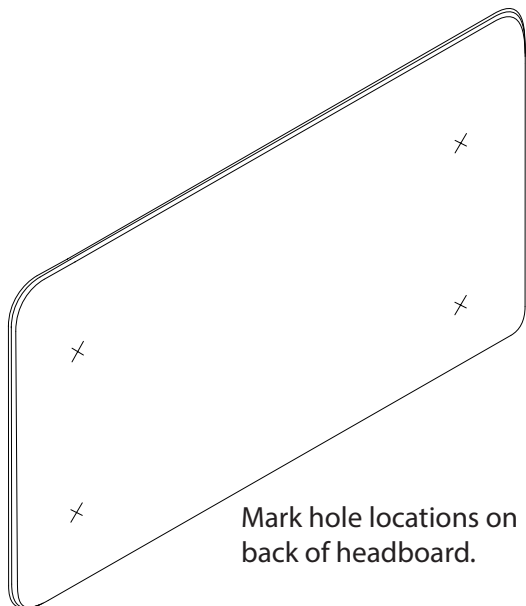
FIG. 5



### Bracket Mount

1. Two brackets will be mounted to the back of the headboard using threaded inserts into the back of the headboard and  $\frac{1}{4}$ -20 x  $\frac{3}{4}$ " bolts.
2. Using the top bracket as a template position the top bracket so the top edge is 20" [508mm] from the bottom of the headboard and each side is 5-1/2" [140mm] from the side of the headboard. SEE FIG. 5  
Mark the hole locations on the back of the headboard. SEE FIG. 6
3. Using the bottom bracket as a template position the bottom bracket so the top edge is 6-1/2" [165mm] from the bottom of the headboard and each side is 5-1/2" [140mm] from the side of the headboard. SEE FIG. 5  
Mark the hole locations on the back of the headboard. SEE FIG. 6

FIG. 6

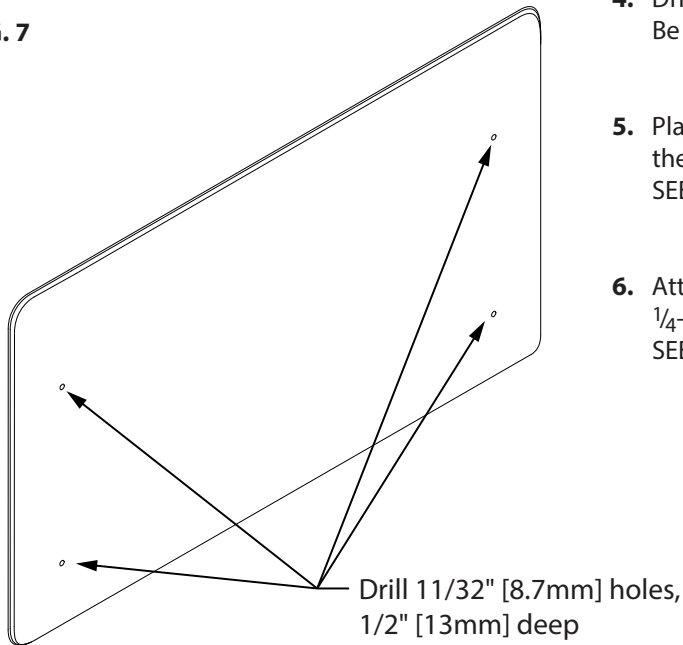


# Installation Instructions

## Headboard - Style 2

Please read all instructions before installing wallguard.

FIG. 7



4. Drill an  $1\frac{1}{32}$ " [8.7mm] hole  $\frac{1}{2}$ " [13mm] deep at each mark. Be careful not to drill through the headboard. SEE FIG. 7
5. Place a small amount of wood glue on the inserts and drive them into the hole with an electric drill and a M6 hex drive. SEE FIG. 8
6. Attach the brackets to the back of the headboard with a  $\frac{1}{4}$ "-20 x  $\frac{3}{4}$ " hex bolt and lock washer at each hole location. SEE FIG. 9

FIG. 8

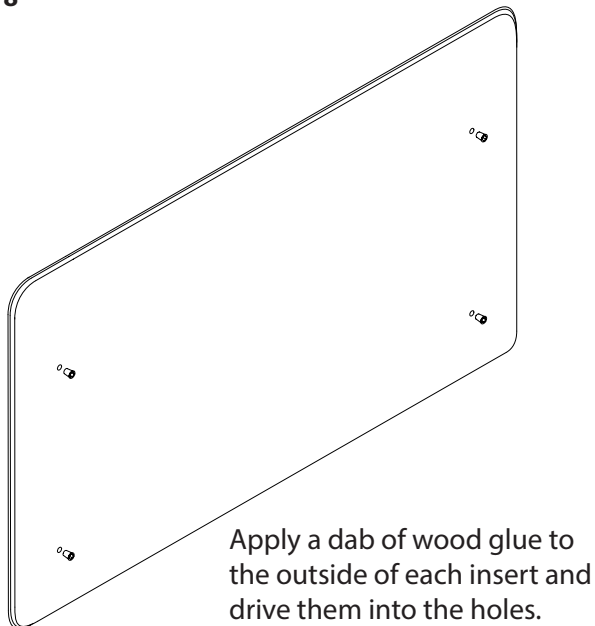
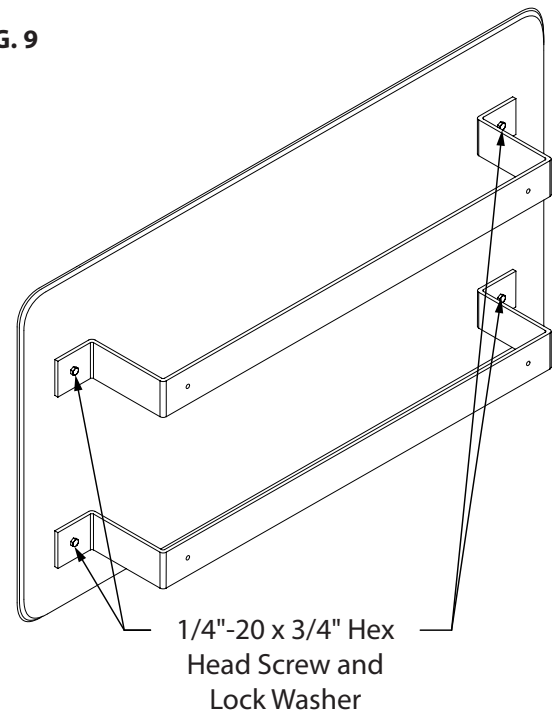


FIG. 9



IPC® Door + Wall Protection

inpro.com • 800.222.5556 • 262.679.9010

World Headquarters S80 W18766 Apollo Drive, Muskego, WI 53150 USA

Installation Hotline: 866.394.6776

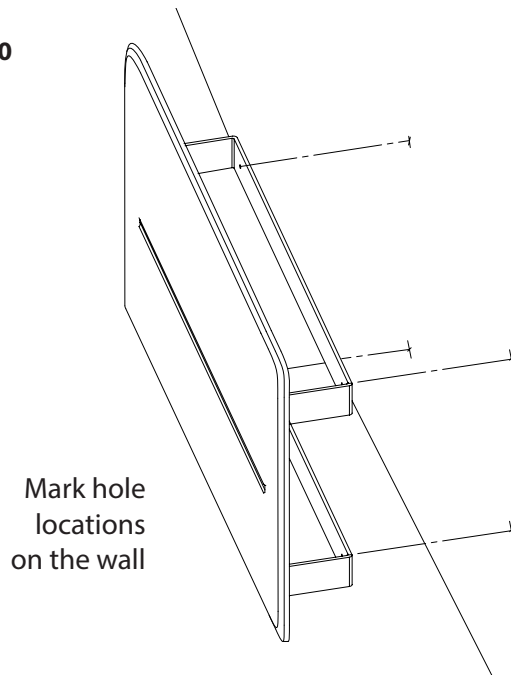
**inpro**®

# Installation Instructions

## Headboard - Style 2

Please read all instructions before installing wallguard.

FIG. 10



7. Position the headboard on the wall and transfer the wall mounting holes to the wall. SEE FIG. 10
8. Drill marked holes with  $\frac{3}{4}$ " [19mm] drill bit for toggle bolts (drywall installation) or  $\frac{1}{2}$ " [13mm] drill bit for lead anchor (concrete wall installation). If installing into wood studs or a wood backer drill a  $\frac{5}{32}$ " [4mm] pilot hole for the wood screws. SEE FIG. 11
9. Place fasteners through the mounting holes in the bracket and attach the headboard to the wall. Check for level and securely tighten all fasteners with a socket wrench. SEE FIG. 12

FIG. 11

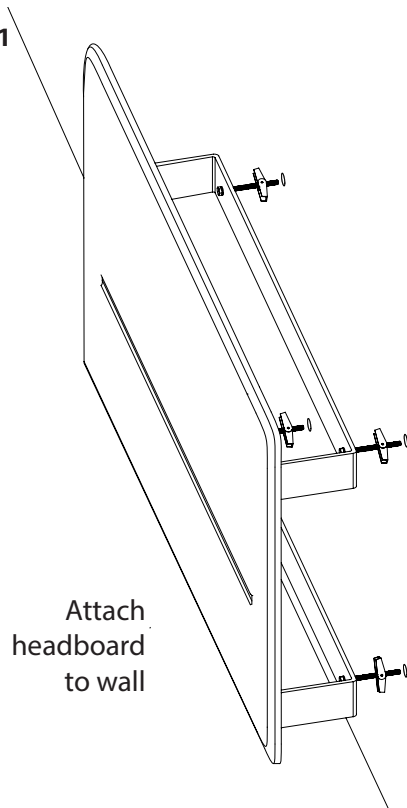
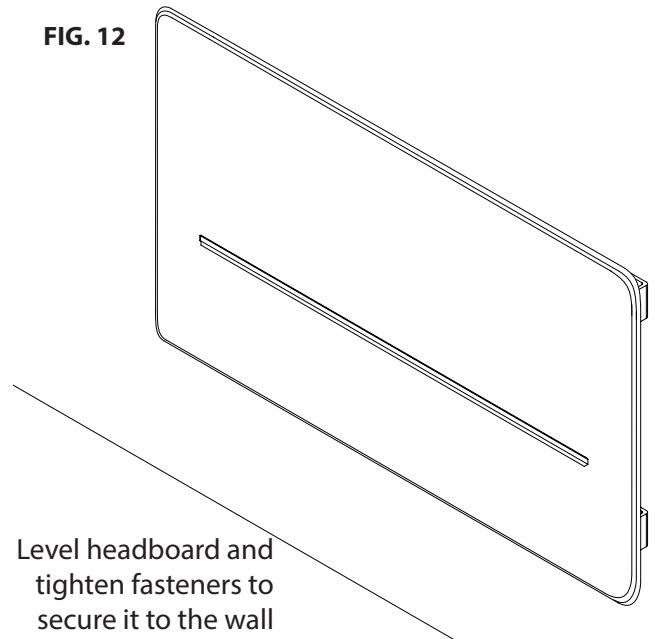


FIG. 12



IPC® Door + Wall Protection

inpro.com • 800.222.5556 • 262.679.9010

World Headquarters S80 W18766 Apollo Drive, Muskego, WI 53150 USA

Installation Hotline: 866.394.6776

inpro®