

# Installation Instructions

HR910 Handrail

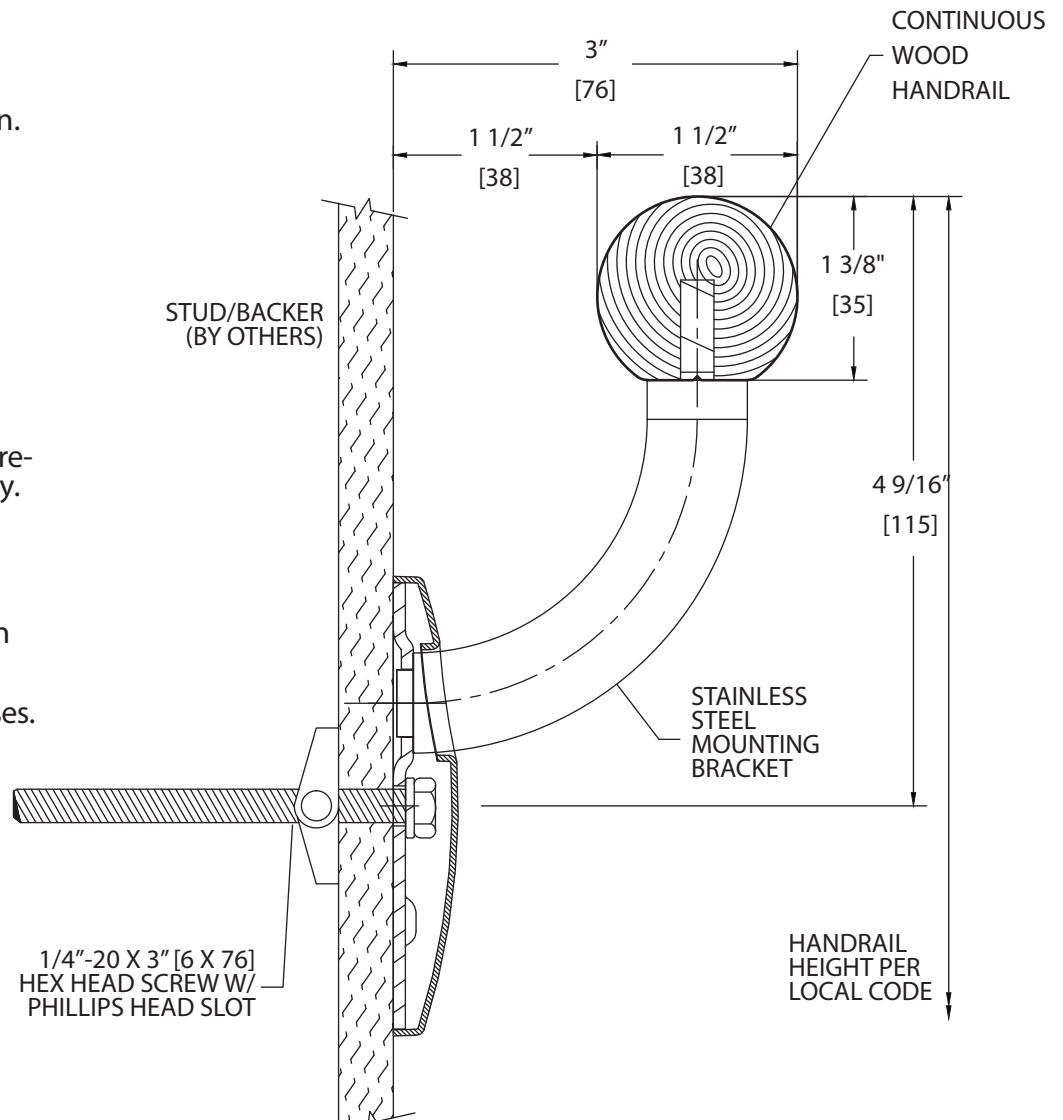
Please read all instructions before installing handrail.

## Important

1. Acclimate materials 24 hrs before installation. Maintain temperature controlled environment after installation.
2. Install in accordance with manufacturer's installation instructions. Failure to do so will void the warranty.

## Installation tips

1. Wood is a natural material therefore component color may vary. Sort the parts by color (light to dark) before use.
2. When storing straight lengths of materials, lay product flat on a supported surface. Do not lean the rails or lay them on unsupported parallel saw horses.



## SECTION VIEW

### Recommended tools

Safety Glasses, Tape Measure, 3/8" socket for machine screw hex bolt, 7/16" socket for wood screw hex bolt, Level, Phillips and Flat head Screwdrivers, Power Drill, Drill Bits - 1/4" masonry (concrete/concrete block), Power Miter Saw, 10" Blade with 60-80 Carbide Tipped Teeth.

IPC.2224/REV.2

Installation Hotline • 866.EZINPRO  
Inprocorp.com • 800.222.5556 • 262.679.9010  
World Headquarters S80 W18766 Apollo Drive, Muskego, WI 53150 USA

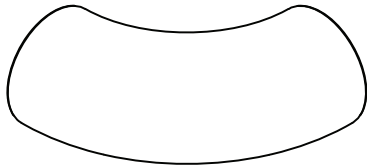
**IPC**® •  
DOOR + WALL PROTECTION SYSTEMS  
A DIVISION OF INPRO®

# Installation Instructions

HR910 Handrail

Please read all instructions before installing handrail.

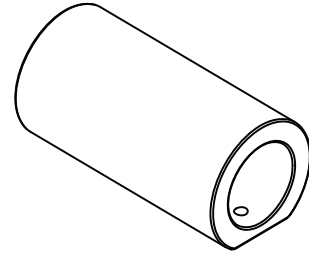
## Component Overview



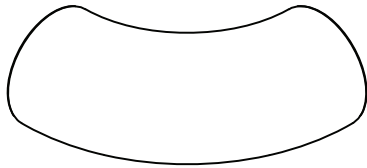
RC9SS-P  
STAINLESS ST. RETURN/CORNER



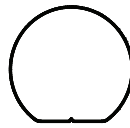
RC9ASPN  
ALUMINUM  
SPLINE  
FOR STAINLESS ST. FITTINGS



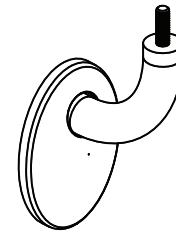
SPL9SS-P  
(OPTIONAL)  
STAINLESS ST. SPLICE



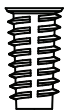
HR912  
(OPTIONAL)  
WOOD RETURN/CORNER



HR9  
WOODTOP PROFILE



910SS  
MOUNTING BRACKET  
STAINLESS ST.



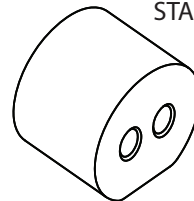
1/4-20 X 3/4" [6 X 19]  
THREADED INSERT



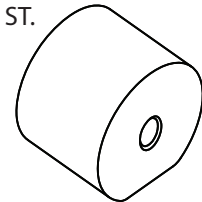
#10-24 X 3/8"  
SET SCREW



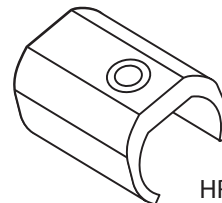
#10 X 1 3/4" SLOTTED  
PAN HEAD SHEET  
METAL SCREW



HR9ASG  
SPLINE GUIDE



HR9WDG  
DOWEL  
GUIDE



HR9IG  
BRACKET GUIDE

Wall Condition	Specified Fasteners	Inpro Part#
Concrete/Concrete Block	1/4"-20 x 3" Phillips hex head toggle bolt with lock washer, 1/4"-20 x 1/2" Diameter Lead Anchor, and 1/4"-20 x 3/4" 6mm Hex Drive Knife Thread Insert w/Flange	HWK-910SSC
Drywall/Stud	1/4"-20 x 3" Phillips Hex Head Toggle Bolt, 1/4" Lockwasher, 1/4"-20 Toggle Wing Nut, 1/4"-20 x 3/4" 6mm Hex Drive Knife Thread Insert w/Flange	HWK-910SSD
Wood	1/4" x 3" Hex Head Wood Screw, 1/4" Lockwasher, 1/4"-20 x 3/4" 6mm Hex Drive Knife Thread Insert w/Flange	HWK-910SSW
Corner/Splice Hardware Kit	#10 x 1 3/4" Phillips Sheet Metal Screw, 10-24 x 3/8" Socket Screw Cup Point, Aluminum Spline	HWK-CRN9SS/HWK-SPL9SS
Return Hardware Kit	#10 x 1 3/4" Phillips Sheet Metal Screw, 10-24 x 3/8" Socket Screw Cup Point, Aluminum Spline	HWK-RET9SS

Installation Hotline • 866.EZINPRO  
Inprocorp.com • 800.222.5556 • 262.679.9010  
World Headquarters S80 W18766 Apollo Drive, Muskego, WI 53150 USA

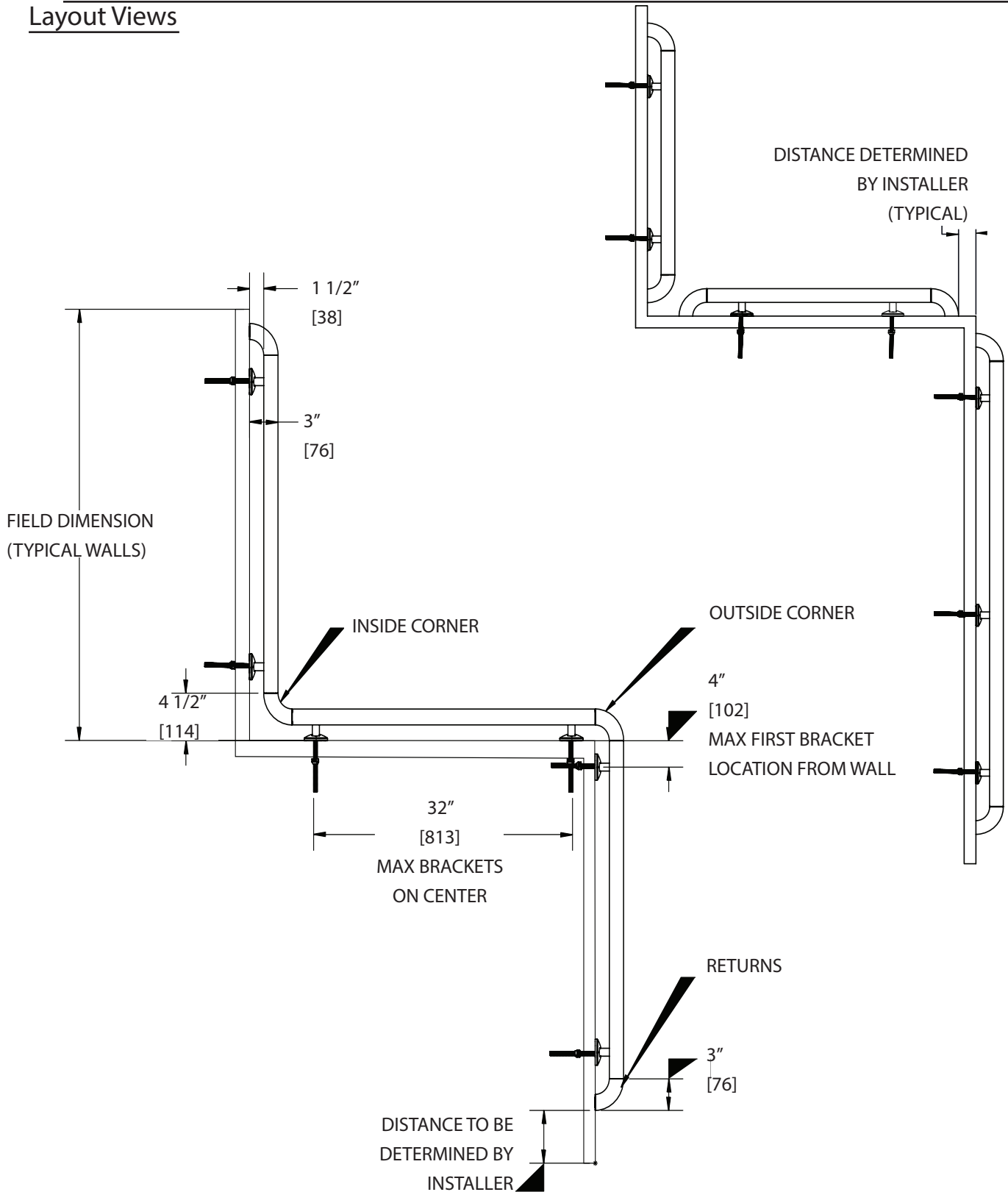
**IPC**®  
DOOR + WALL PROTECTION SYSTEMS  
A DIVISION OF INPRO®

# Installation Instructions

HR910 Handrail

Please read all instructions before installing handrail.

## Layout Views



Installation Hotline • 866.EZINPRO  
Inprocorp.com • 800.222.5556 • 262.679.9010  
World Headquarters S80 W18766 Apollo Drive, Muskego, WI 53150 USA

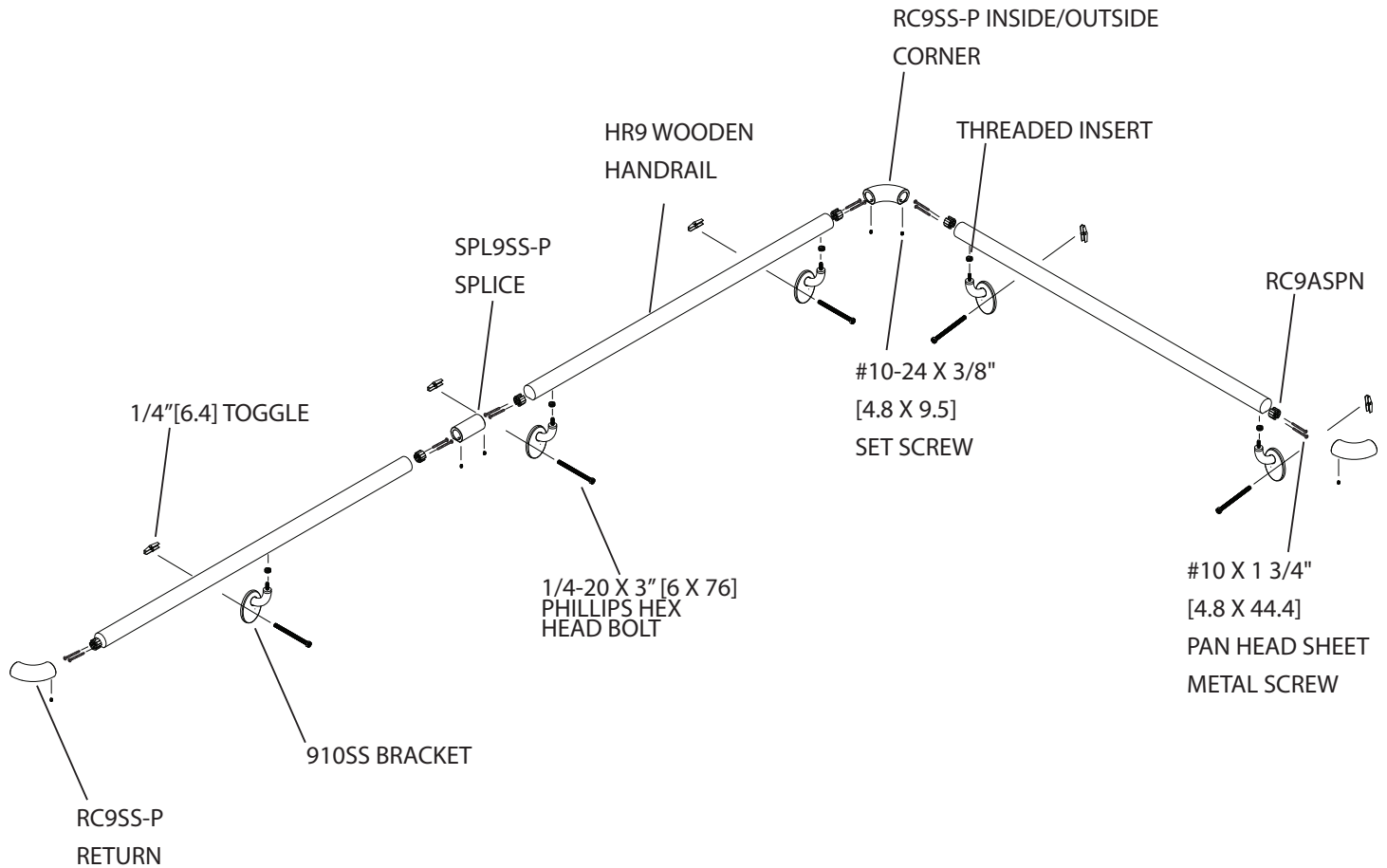
**IPC**®  
DOOR + WALL PROTECTION SYSTEMS  
A DIVISION OF INPRO®

# Installation Instructions

HR910 Handrail

Please read all instructions before installing handrail.

## Stainless Steel Exploded View



Installation Hotline • 866.EZINPRO

Inprocorp.com • 800.222.5556 • 262.679.9010

World Headquarters S80 W18766 Apollo Drive, Muskego, WI 53150 USA

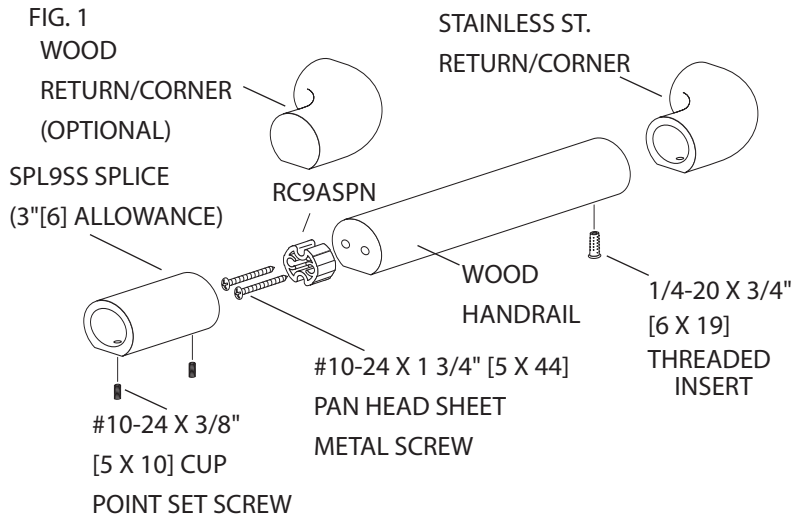
**IPC**®

DOOR + WALL PROTECTION SYSTEMS  
A DIVISION OF INPRO®

# Installation Instructions

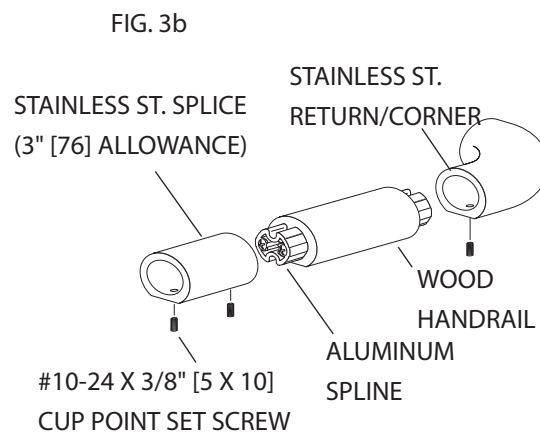
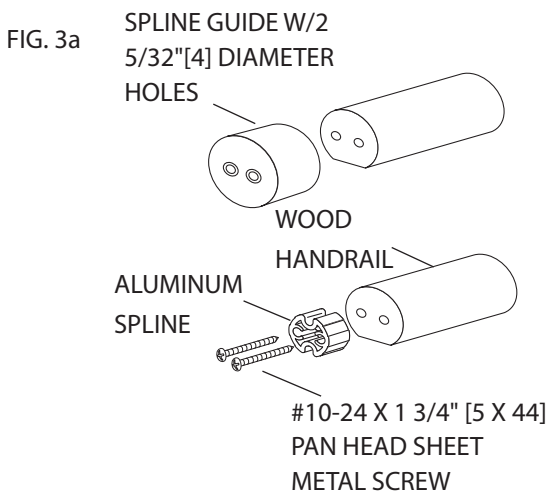
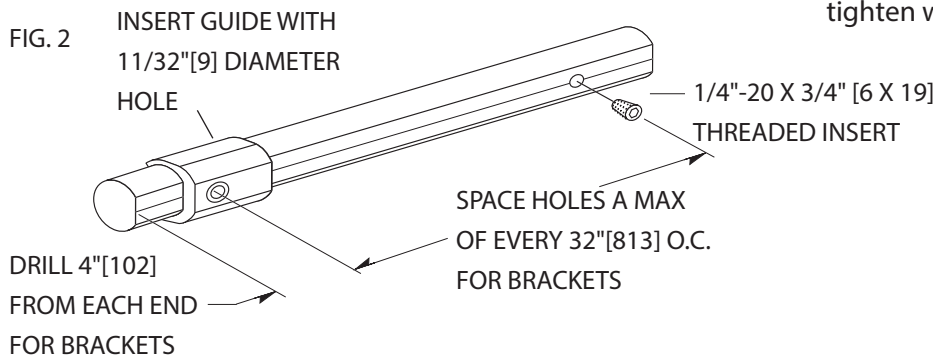
## HR910 Handrail

Please read all instructions before installing handrail.



**NOTE:** CORNERS AND RETURNS USE (3"[76] ALLOWANCE FOR RETURN) (4 1/2"[14] ALLOWANCE FOR INSIDE CORNER) (0"[0] ALLOWANCE FOR OUTSIDE CORNER)

1. Cut wood handrail to desired length, leaving allowances for returns, outside corners and inside corners.  
See Figure 1.
2. Drill 7/8" [22mm] deep holes for threaded inserts using an 11/32" [9mm] drill bit and insert guide for hole placement. Screw threaded inserts into the handrail with 6mm power bit or hex key. See Figure 2.
3. For Stainless Steel Returns, Corners and Splices:
  - a. Drill 1 1/4" [6mm] deep holes for splines using a 5/32" [4mm] drill bit and a spline guide for hole placement. Attach splines to handrail. See Figure 3a.
  - b. Attach returns, corners and splices to handrail by sliding component over the spline and tighten with set screw. See Figure 3b.



# Installation Instructions

## HR910 Handrail

Please read all instructions before installing handrail.

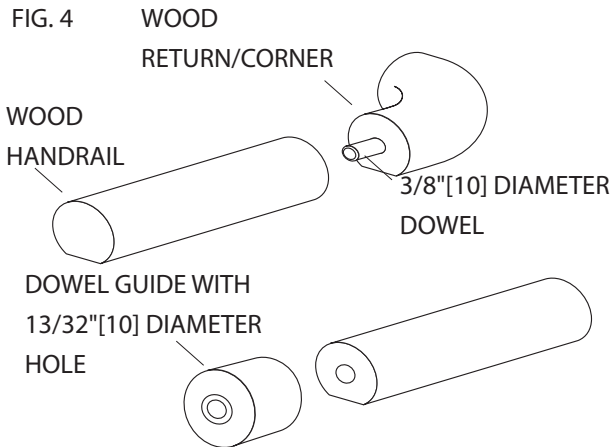


FIG. 5

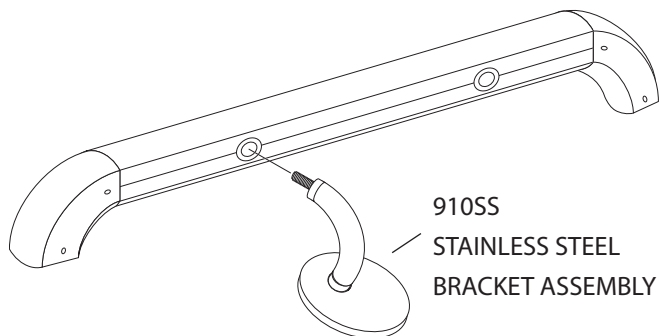
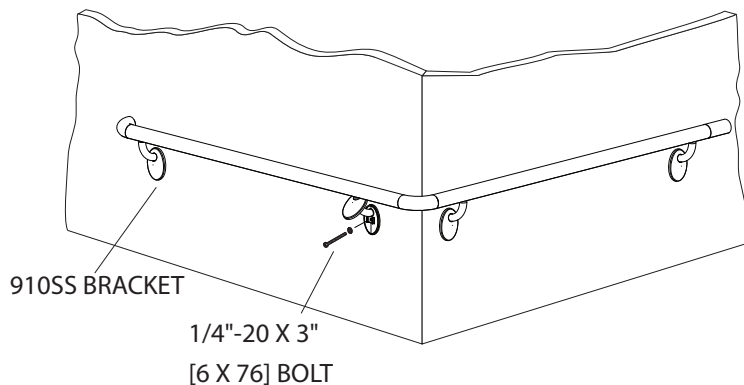


FIG. 7



4. For Wood Returns and Corners: Drill holes for wood dowels using a 13/32" [10mm] drill bit and a dowel guide for hole placement in each section of rail. If dowel guide fit to wood is loose, wrap painter's tape around handrail to create a snug fit. Glue and clamp the handrail and return/corner assembly until the glue is set. Align the surfaces of the rail and returns/corners. Minor Adjustment Tip: If needed, filing a slight taper at the end of the dowel on one side will provide more play between the mating pieces. See Figure 4.

Note: Joining wood rail to wood rail without using a stainless steel splice, follow instructions in step 4.

5. Wrap Teflon tape around each threaded rod on the bracket. Slip stainless steel cover over the bracket post. Screw brackets into the threaded inserts and align mounting flanges. See Figure 5.
6. Position handrail/bracket assembly against wall at the desired height. Level and mark bracket holes on the wall. Drill marked holes with 3/4" [19mm] drill bit for toggle bolts (drywall installation) or 1/2" [13mm] drill bit for lead anchor (concrete wall installation). Loosely attach mounting bolts to the brackets. Mount handrail assembly on wall, level and tighten screws to secure. Snap stainless steel covers over the mounting base. See Figure 7.