

Installation Instructions

HR910 International Compliant Handrail

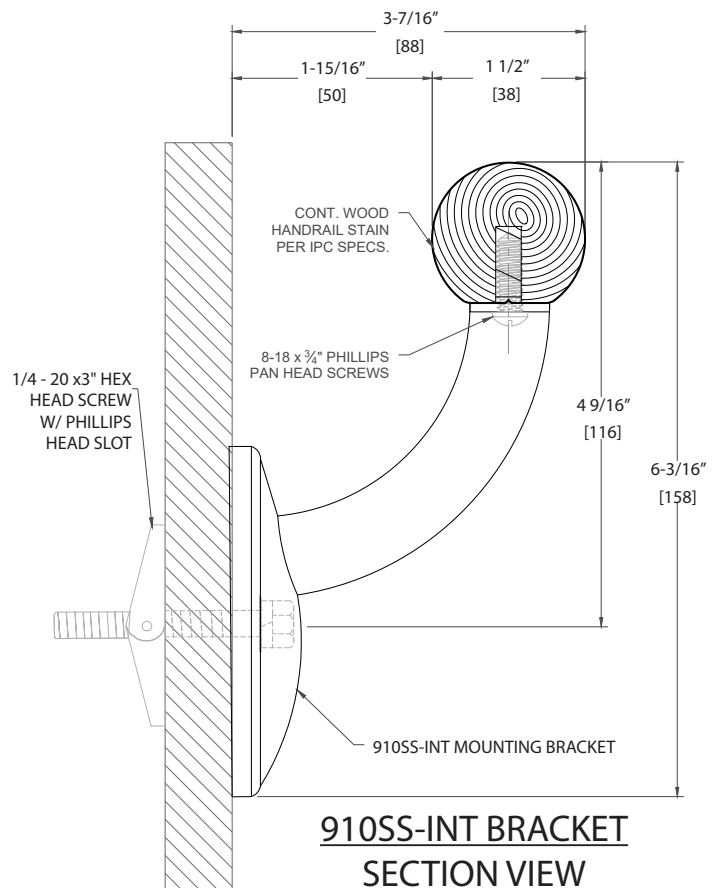
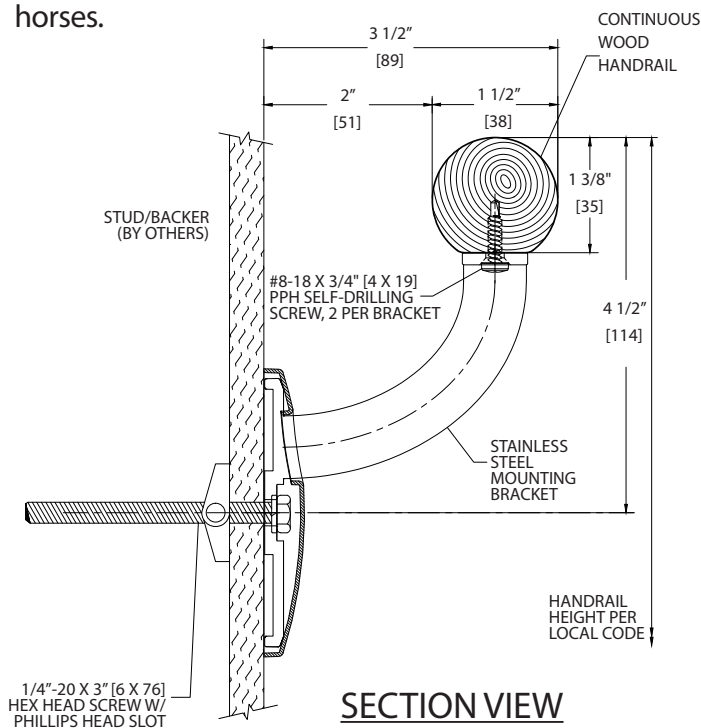
Please read all instructions before installing handrail.

Important

1. Acclimate materials 24 hrs before installation. Maintain temperature controlled environment after installation.
2. Install in accordance with manufacturer's installation instructions. Failure to do so will void the warranty.

Installation tips

1. Wood is a natural material therefore component color may vary. Sort the parts by color (light to dark) before use.
2. When storing straight lengths of materials, lay product flat on a supported surface. Do not lean the rails or lay them on unsupported parallel saw horses.



Recommended tools

Safety Glasses, Tape Measure, 3/8" socket for machine screw hex bolt, 7/16" socket for wood screw hex bolt, Level, Pillips and Flat head Screwdrivers, Power Drill, Drill Bits - 1/4" masonry (concrete/ concrete block), Power Miter Saw, 10" Blade with 60-80 Carbide Tipped Teeth.

IPC.2225/REV.3

IPC® Door + Wall Protection

inpro.com • 800.222.5556 • 262.679.9010

World Headquarters S80 W18766 Apollo Drive, Muskego, WI 53150 USA

Installation Hotline: 866.394.6776

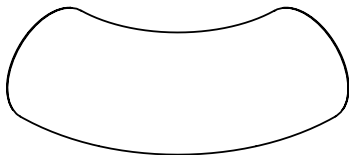
inpro®

Installation Instructions

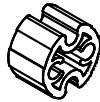
HR910 International Compliant Handrail

Please read all instructions before installing handrail.

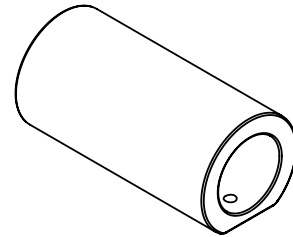
Component Overview



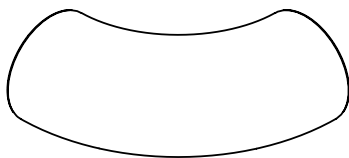
914SS
(OPTIONAL)
LEFT/RIGHT RETURN/CORNER
STAINLESS STEEL



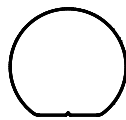
RC9ASPN
SPLINE
FOR STAINLESS ST. FITTINGS



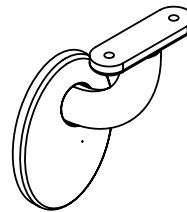
HR9
WOOD TOP PROFILE



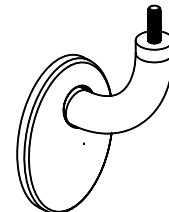
912SS-INT
(OPTIONAL)
LEFT/RIGHT RETURN/CORNER
STAINLESS STEEL



HR9
WOODTOP PROFILE



910SS-INT
MOUNTING BRACKET
STAINLESS STEEL



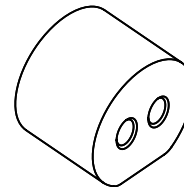
910SS
MOUNTING BRACKET
STAINLESS STEEL



#10-24 X 3/8"
SET SCREW



#8-18 X 3/4"
PPH SELF DRILLING
SCREW



HR9ASG
SPLINE GUIDE

Wall Condition	Specified Fasteners	Inpro Part#
Concrete/Concrete Block	1/4"-20 x 3" Phillips hex head toggle bolt with lock washer, 1/4"-20 x 1/2" Diameter Lead Anchor	HWK-910SS-INTC
Drywall/Stud	1/4"-20 x 3" Phillips Hex Head Toggle Bolt, 1/4" Lockwasher, 1/4"-20 Toggle Wing Nut	HWK-910SS-INTD
Wood	1/4" x 3" Hex Head Wood Screw, 1/4" Lockwasher	HWK-910SS-INTW

IPC® Door + Wall Protection

inpro.com • 800.222.5556 • 262.679.9010

World Headquarters S80 W18766 Apollo Drive, Muskego, WI 53150 USA

Installation Hotline: 866.394.6776

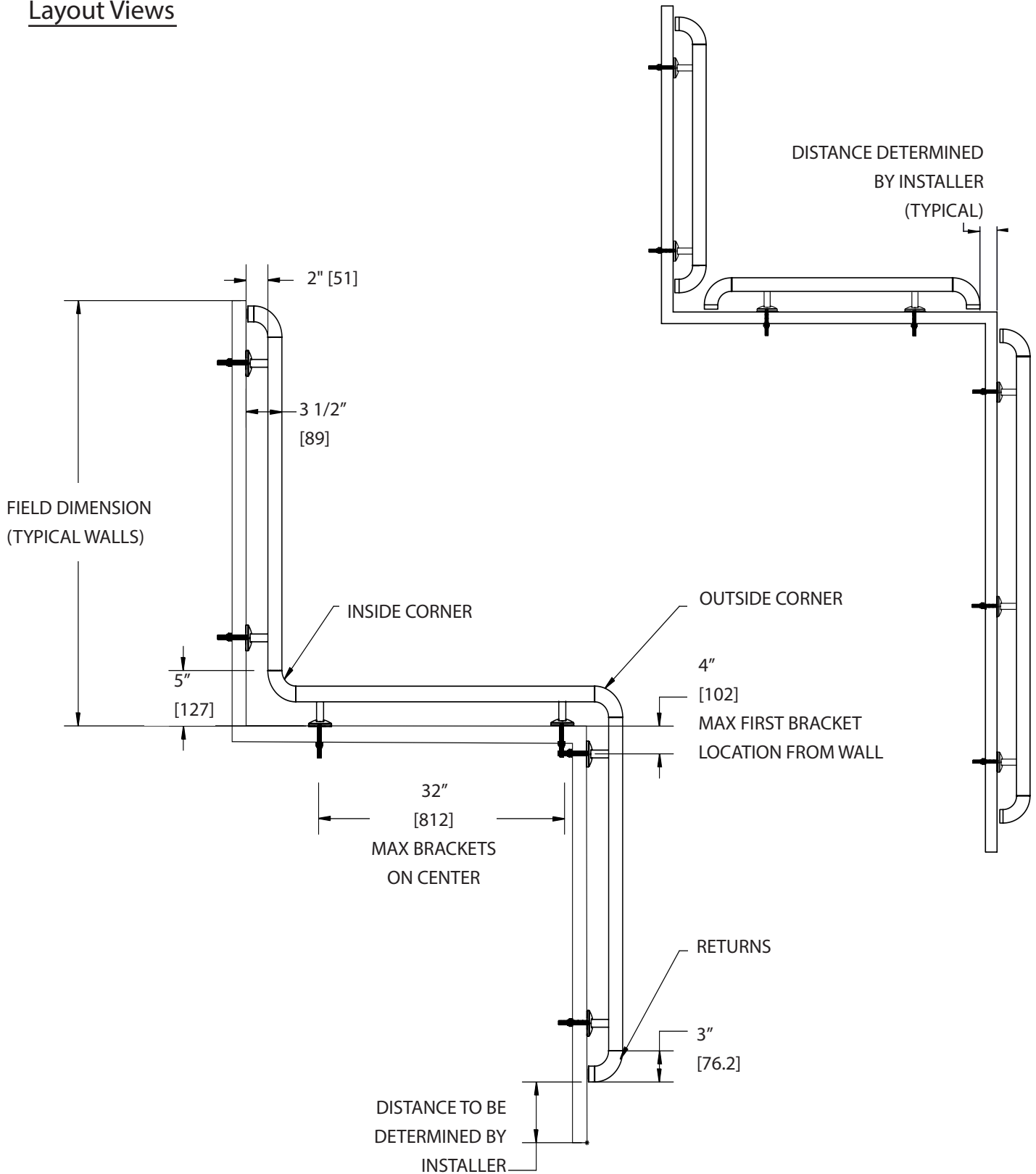
inpro®

Installation Instructions

HR910 International Compliant Handrail

Please read all instructions before installing handrail.

Layout Views



IPC® Door + Wall Protection

inpro.com • 800.222.5556 • 262.679.9010

World Headquarters S80 W18766 Apollo Drive, Muskego, WI 53150 USA

Installation Hotline: 866.394.6776

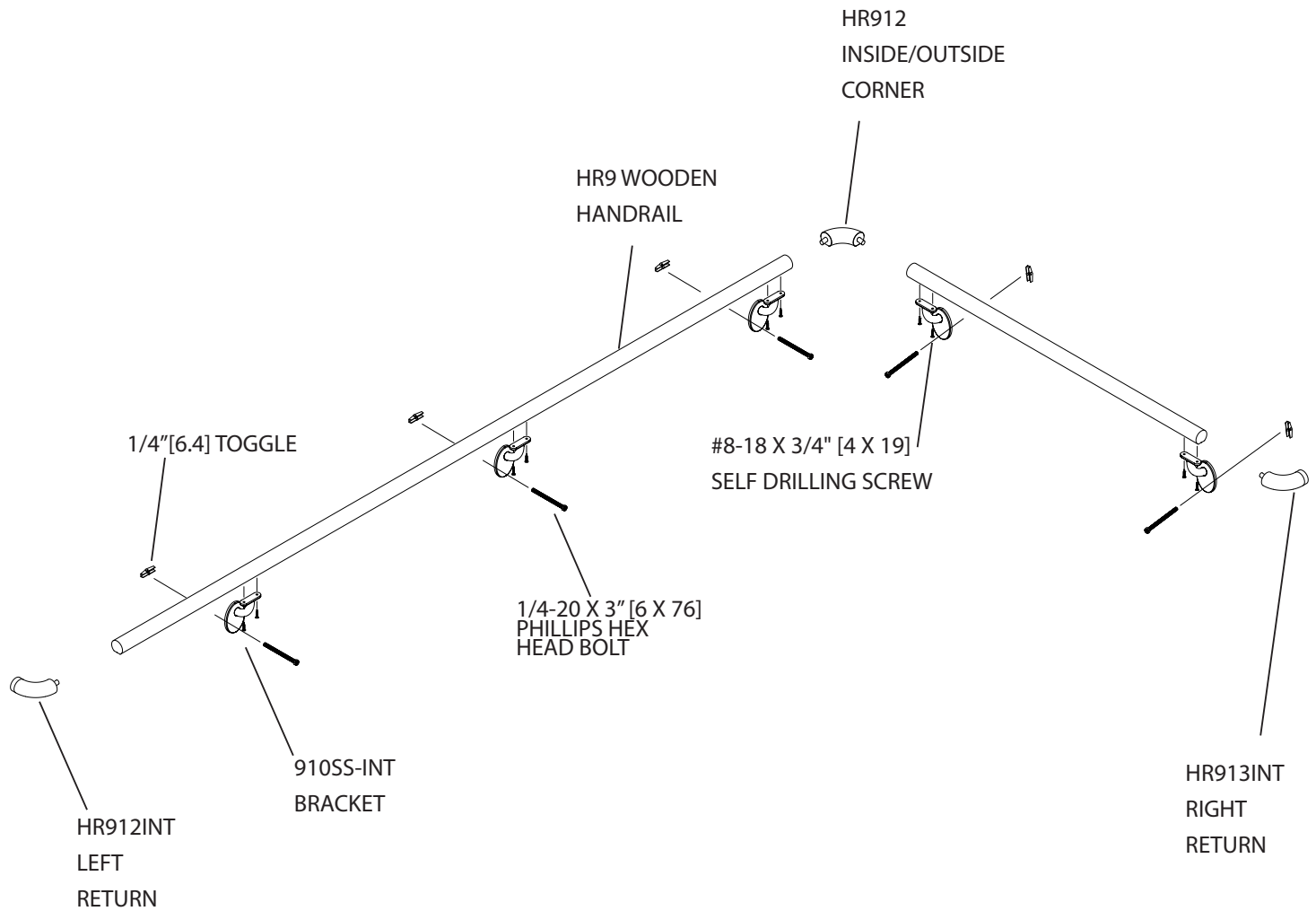
inpro®

Installation Instructions

HR910 International Compliant Handrail

Please read all instructions before installing handrail.

Stainless Steel Exploded View



IPC® Door + Wall Protection

inpro.com • 800.222.5556 • 262.679.9010

World Headquarters S80 W18766 Apollo Drive, Muskego, WI 53150 USA

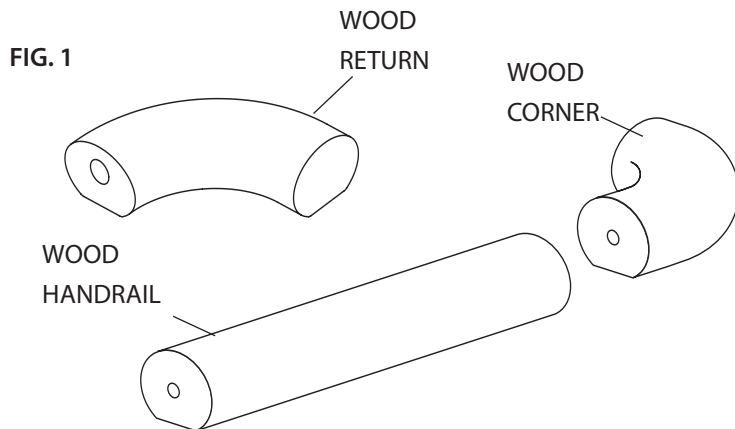
Installation Hotline: 866.394.6776

inpro®

Installation Instructions

HR910 International Compliant Handrail

Please read all instructions before installing handrail.

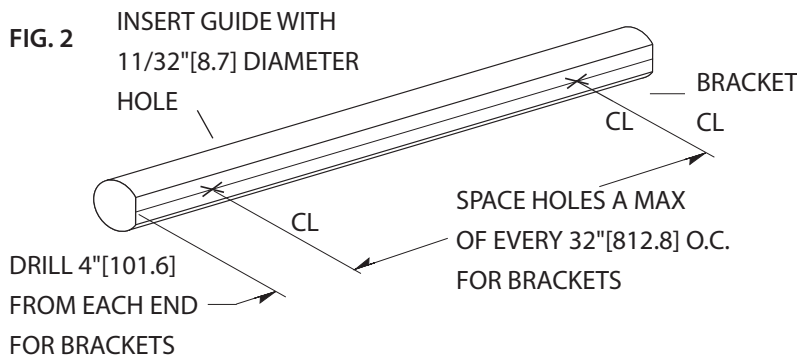


1. Cut wood handrail to desired length, leaving allowances for returns, outside corners and inside corners.

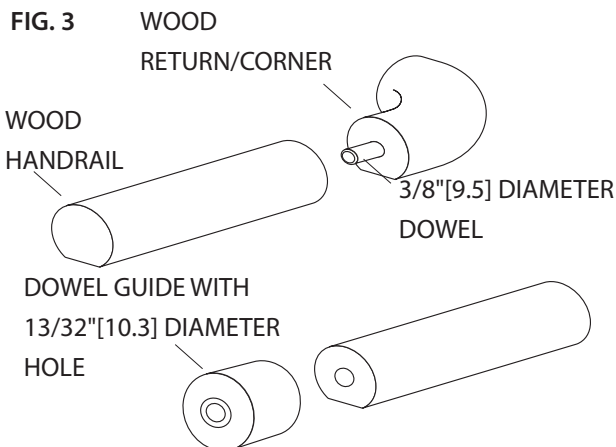
See Figure 1.

2. Mark bracket locations on underside of wood top, starting brackets should be 4" [102] from ends and spaced a max of 32" [813] on center. See Figure 2. Use bracket as a guide to create 2 pilot holes around centerline.

NOTE: CORNERS AND RETURNS USE
(3" [76.2] ALLOWANCE FOR RETURN)
(5" [127] ALLOWANCE FOR INSIDE CORNER)
(ADD 1/2" [12.7] ALLOWANCE FOR OUTSIDE CORNER)



3. For Wood Returns and Corners: Drill holes for wood dowels using a 1 3/32" [10mm] drill bit and a dowel guide for hole placement in each section of rail. If dowel guide fit to wood is loose, wrap painter's tape around handrail to create a snug fit. Glue and clamp the handrail and return/corner assembly until the glue is set. Align the surfaces of the rail and returns/corners. Minor Adjustment Tip: If needed, filing a slight taper at the end of the dowel on one side will provide more play between the mating pieces. See Figure 3.



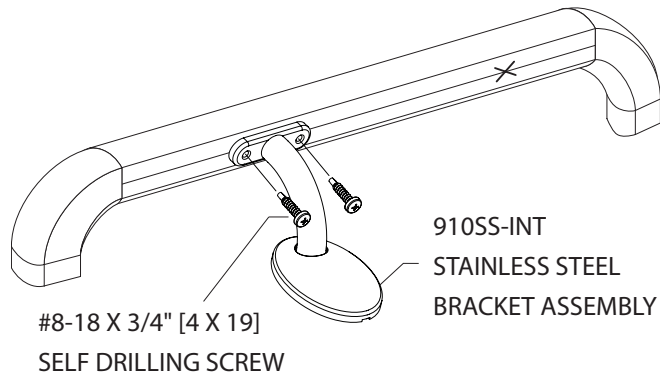
Note: Joining wood rail to wood rail, follow instructions in step 3.

Installation Instructions

HR910 International Compliant Handrail

Please read all instructions before installing handrail.

FIG. 4



4. Slip stainless steel cover over the bracket post. Screw brackets into handrail aligning the center of bracket to marked locations. See Figure 4.
5. Position handrail/bracket assembly against wall at the desired height. Level and mark bracket holes on the wall. Drill marked holes with 3/4" [19mm] drill bit for toggle bolts (drywall installation) or 1/2" [13mm] drill bit for lead anchor (concrete wall installation). Loosely attach mounting bolts to the brackets. Mount handrail assembly on wall, level and tighten screws to secure. Snap stainless steel covers over the mounting base. See Figure 5.

FIG. 5

