

FINISH: MILL
PROJECT:
CUSTOMER:
LOCATION:

APPLICATION-JOS-TRSTP 1800  
6' RECYCLED RUBBER  
TIRE STOP

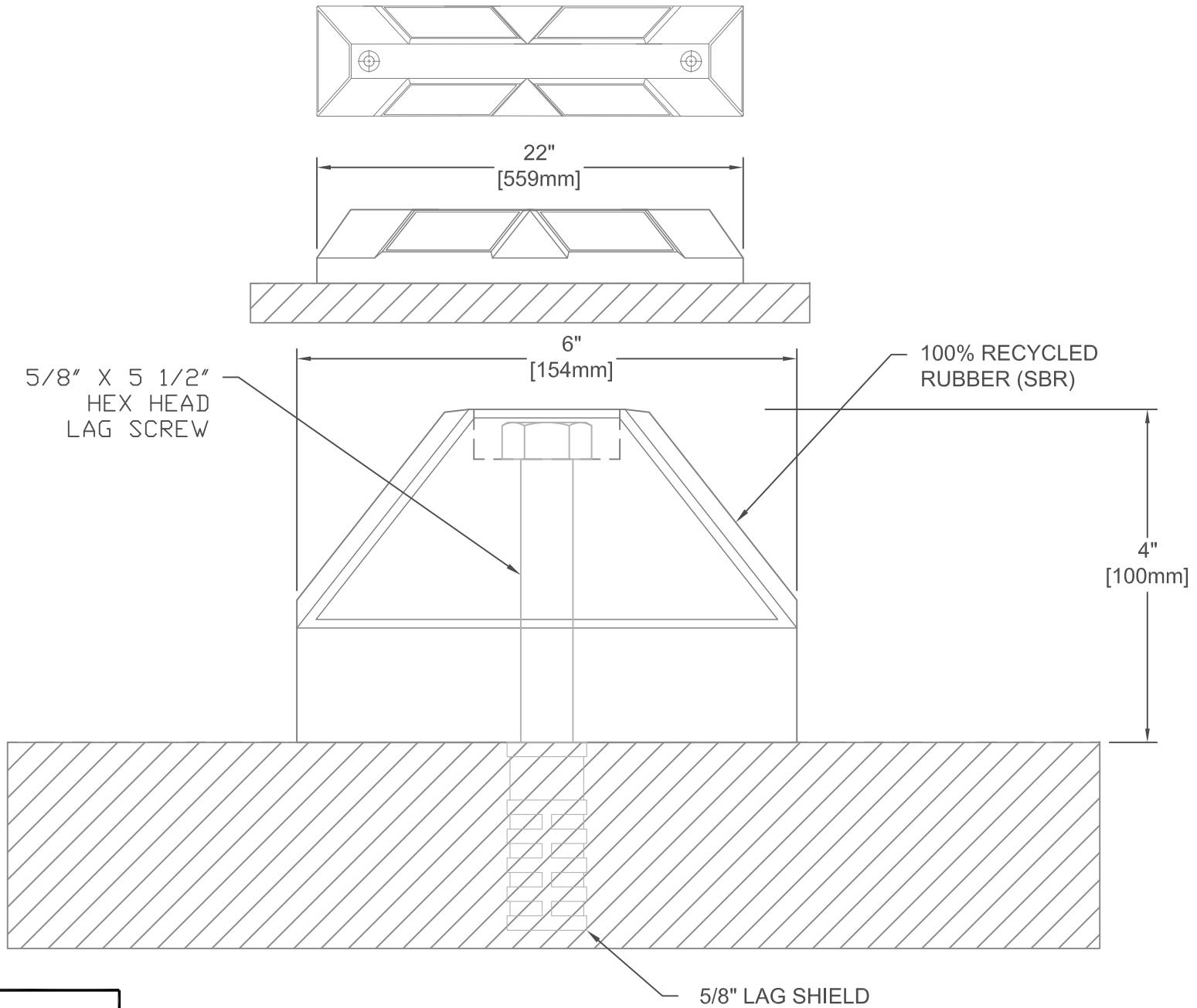
DATE: 1-22-14

SCALE: 1:1

DOC: CADJM.164/R1

**inpro.**

For More Information Visit: [Inprocorp.com](http://Inprocorp.com)



FINISH: MILL
PROJECT:
CUSTOMER:
LOCATION:

APPLICATION-JOS-TRSTP 500  
22" RECYCLED RUBBER  
TIRE STOP

DATE:	1-22-14
SCALE:	1:1
DOC:	CADJM.164/R1



For More Information Visit: [Inprocorp.com](http://Inprocorp.com)