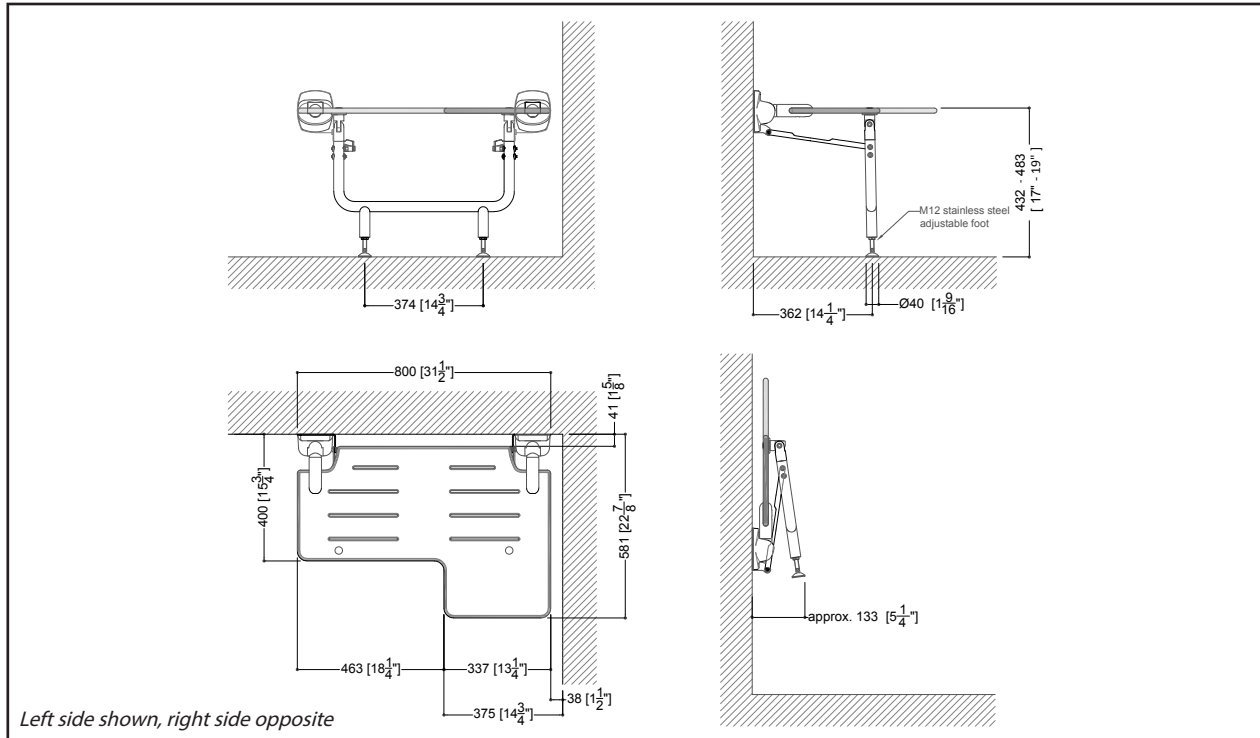


L-Shaped Folding Bench Seat

Technical Data



Product Description:

L-Shaped folding bench seat with legs

Part Number:

DSGBFLDSST-LH (Left side)
DSGBFLDSST-RH (Right side)

Series:

Tube & Shower Seats

Dimensions [WxDxH]:

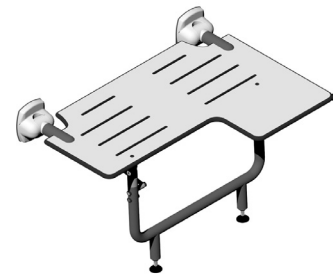
31 1/2" x 22 7/8" x 17-19"

Net Weight:

28.66 lbs

Load Capacity:

550 lbs



Use and installation info:

Use a soft, moist cloth soaked with liquid soap and/or other liquid sanitizing substances. DO NOT USE abrasive liquid detergents, chloride bleach or strong acids.

Fasteners:

Qty 8 - M8 x 70mm Lag Bolts (7/32" pilot holes required)

Supplied fasteners are only suitable for use with wood stud walls and/or blocking. If wall conditions vary use fasteners suitable for the wall conditions on which the product will be installed.

Packaging Information

Dimensions [WxDxH]: 31 1/16" x 5 1/2" x 29 1/8"

Weight: 31.97 lbs

Regulatory Compliance:

ADA

IPC.3097/REV1