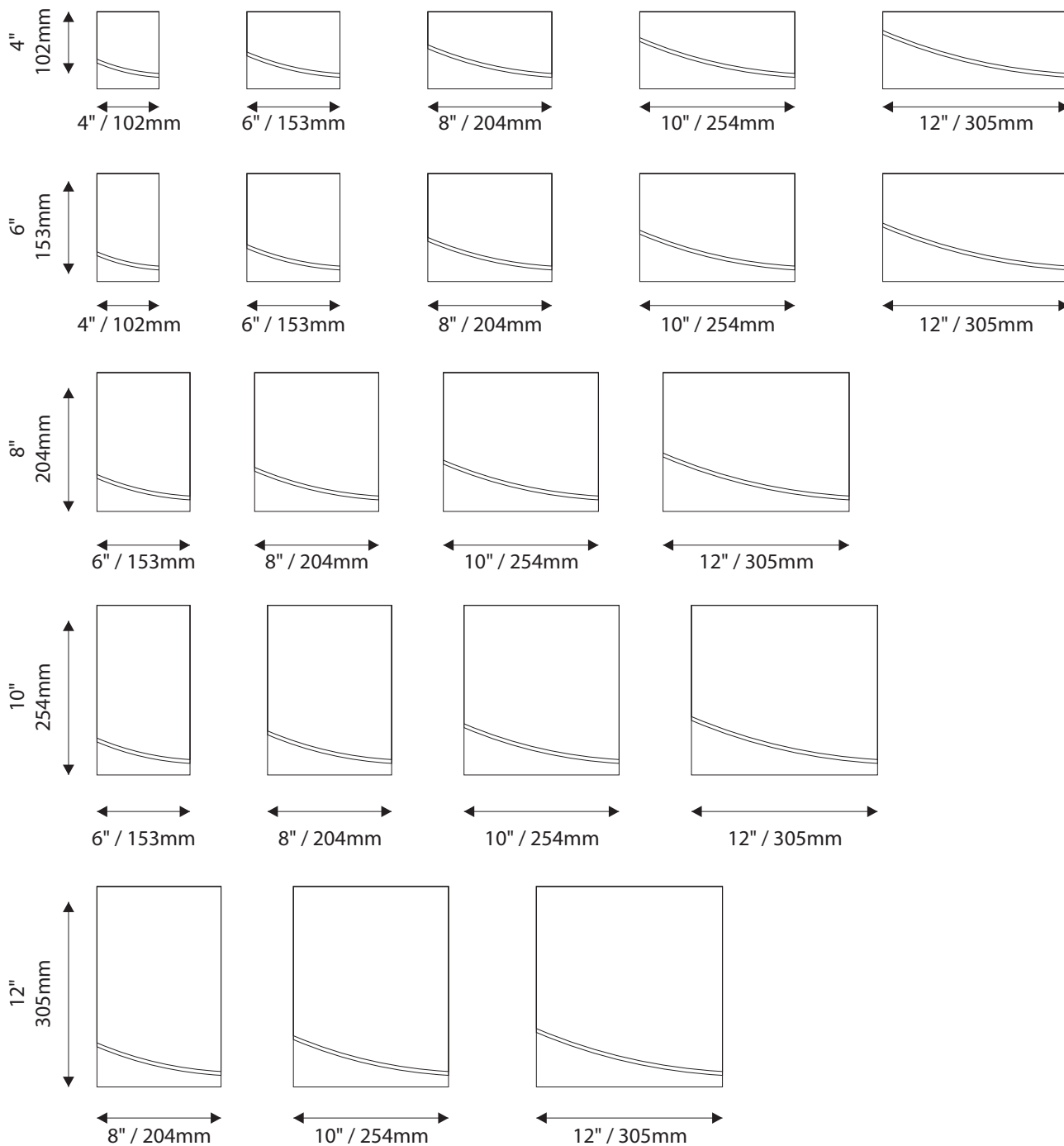


Standard Sizes

Manhattan Collection

ADA Room Identification (120)

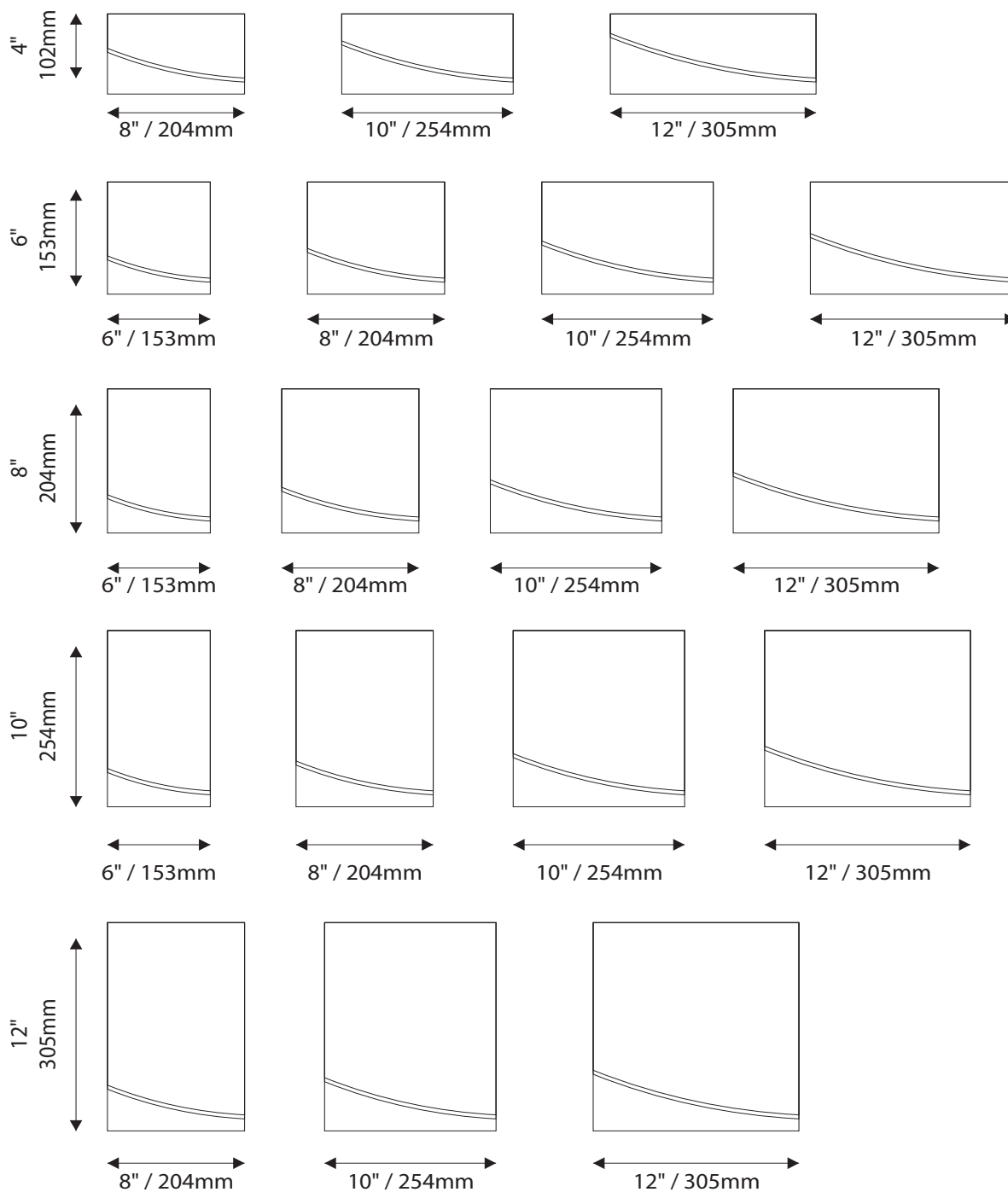


IPC.1937/REV.3

Standard Sizes

Manhattan Collection

Informational / Directional (110 / 210)

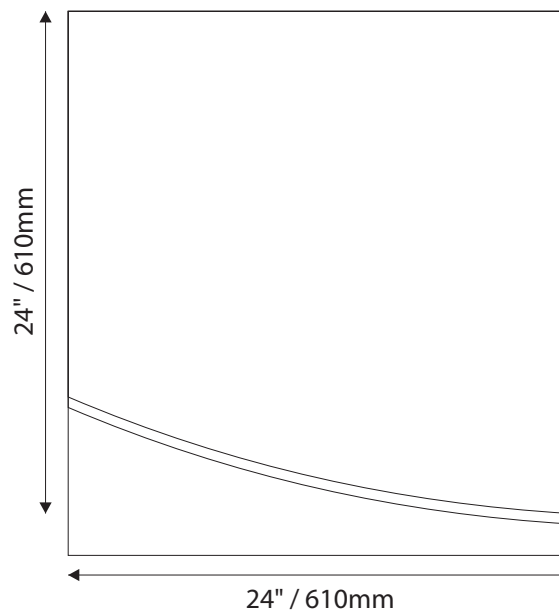
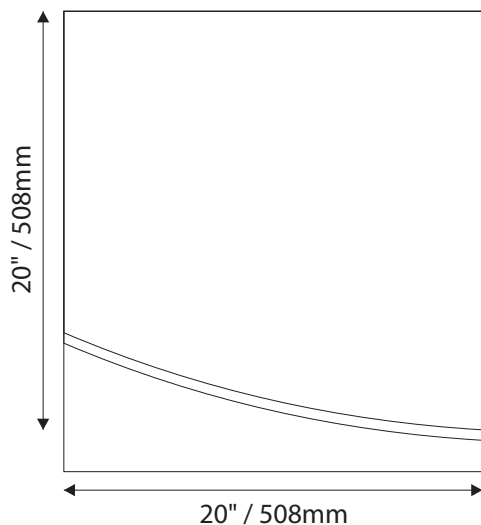
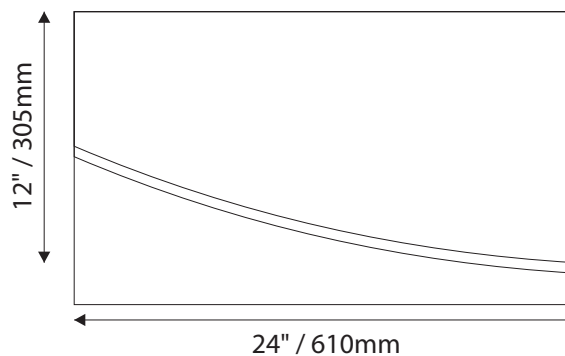
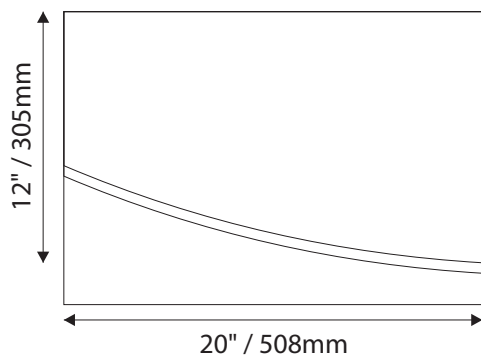
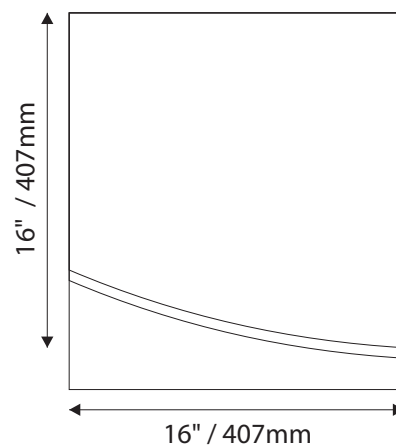
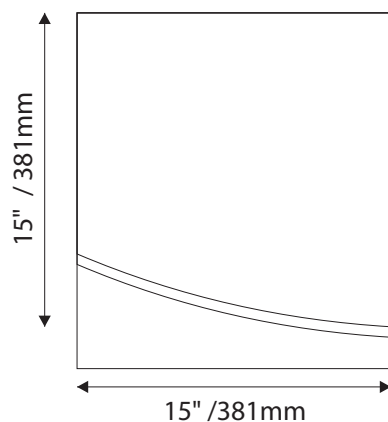
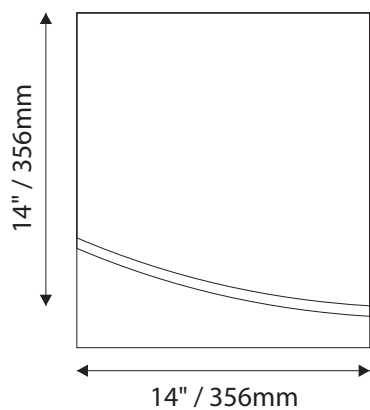


IPC.1937/REV.3

Standard Sizes

Manhattan Collection

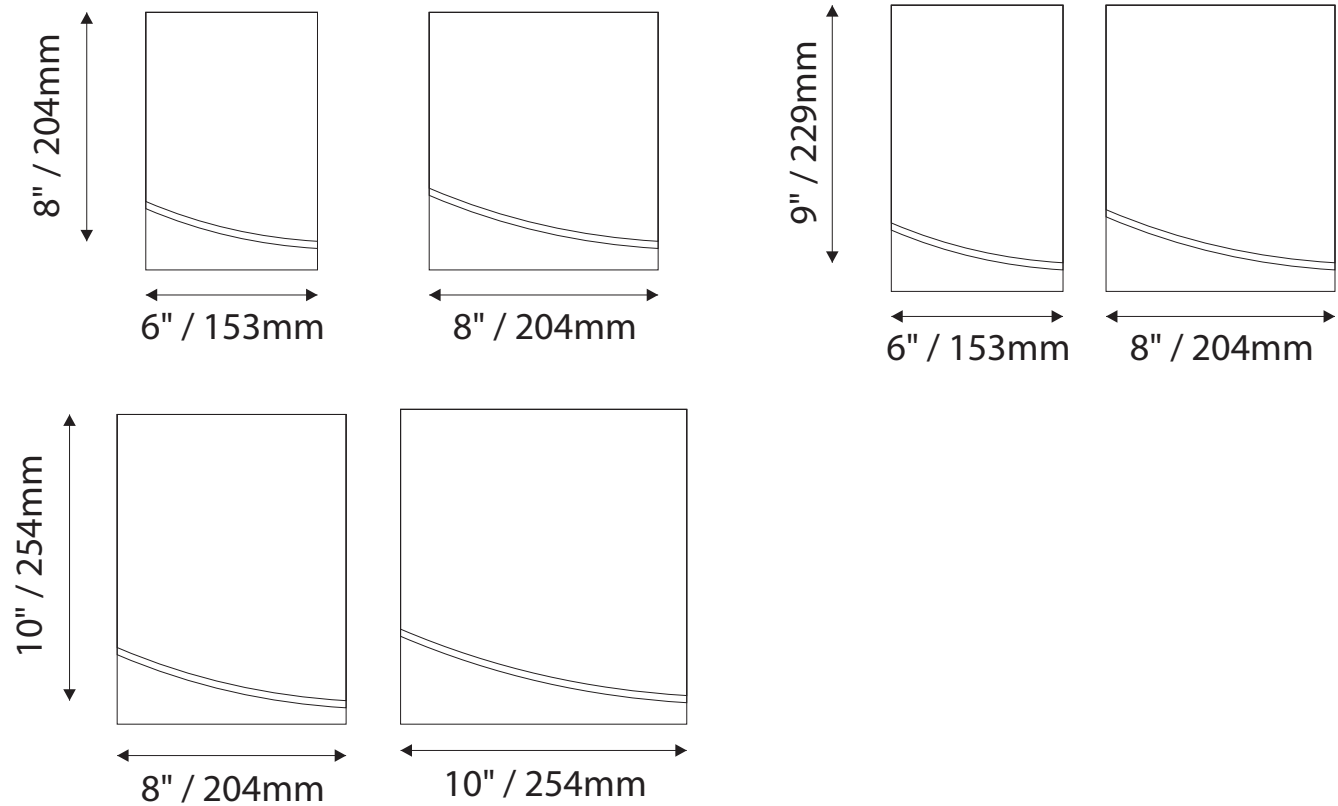
Informational / Directional (110 / 210)



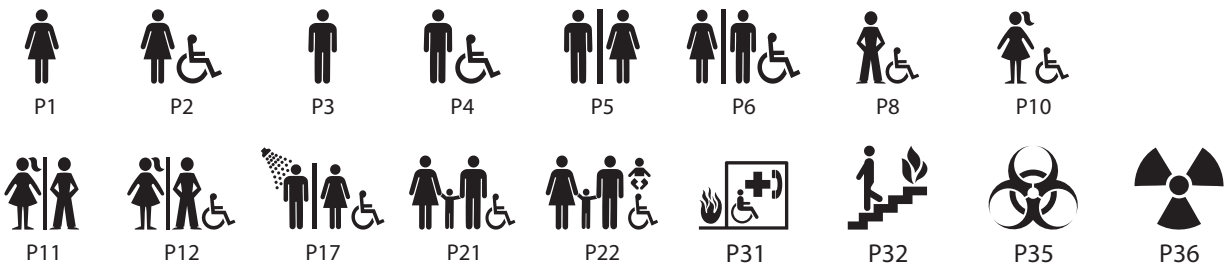
IPC.1937/REV.3

Standard Sizes Manhattan Collection

ADA Regulatory (320)



Common Pictograms

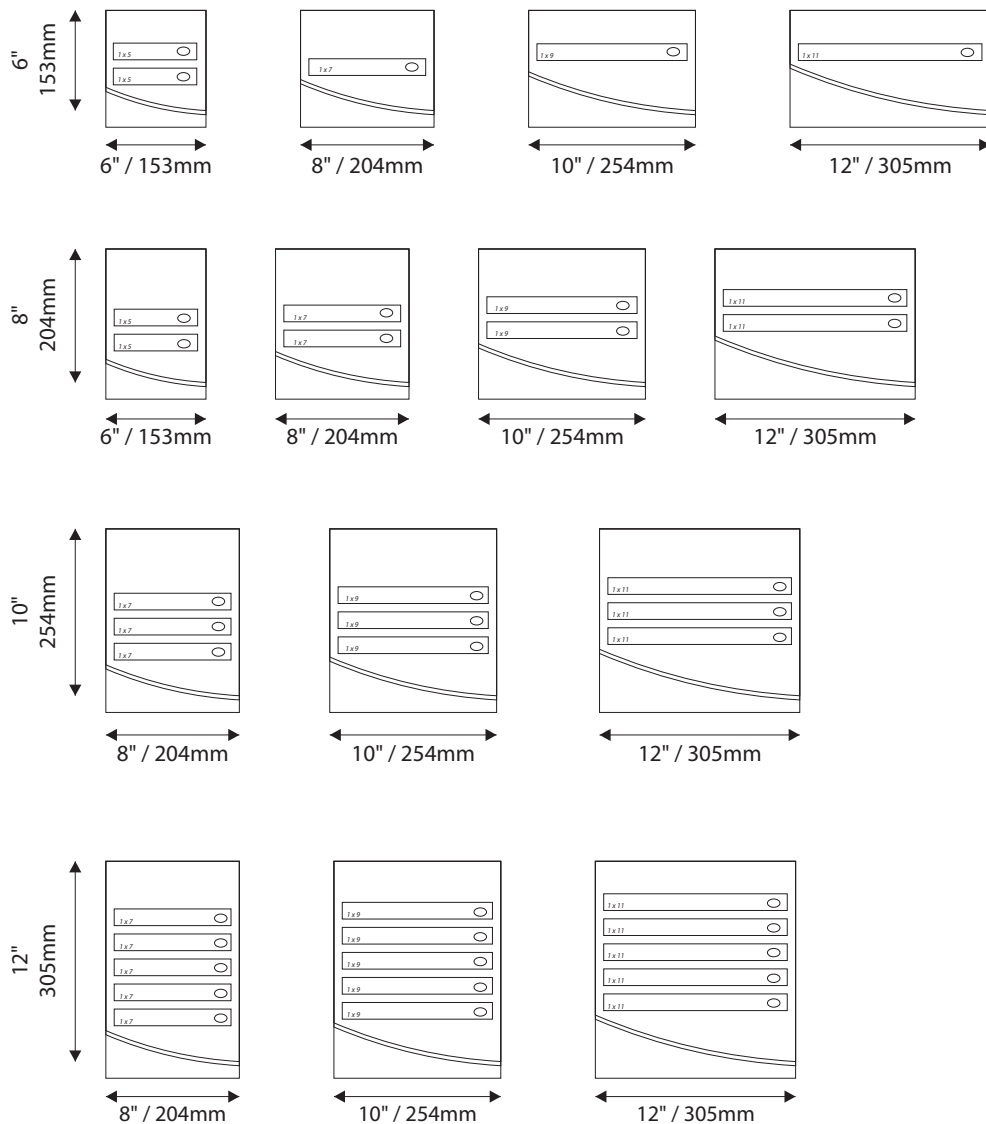


IPC.1937/REV.3

Standard Sizes

Manhattan Collection

Room Identification with Window (140)



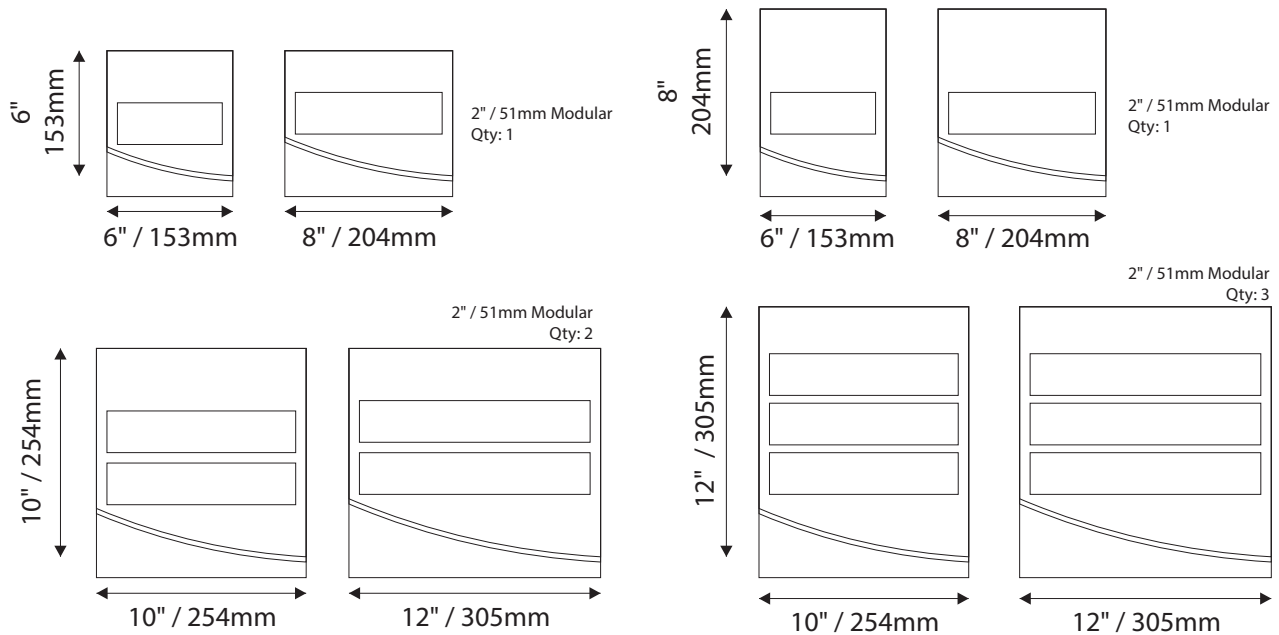
- Window Sizes available from ½" (12mm) to 5.5" (140mm)
- Windows widths are typically 1" (25mm) less the sign width
- Edge to Edge windows are available in painted signs.
- All signs come standard with a finger notch for easy insert removal.

- InPro Corporation does not provide printed window inserts
- Ready to print Microsoft Word® templates are available for download at inprocorp.com/templates

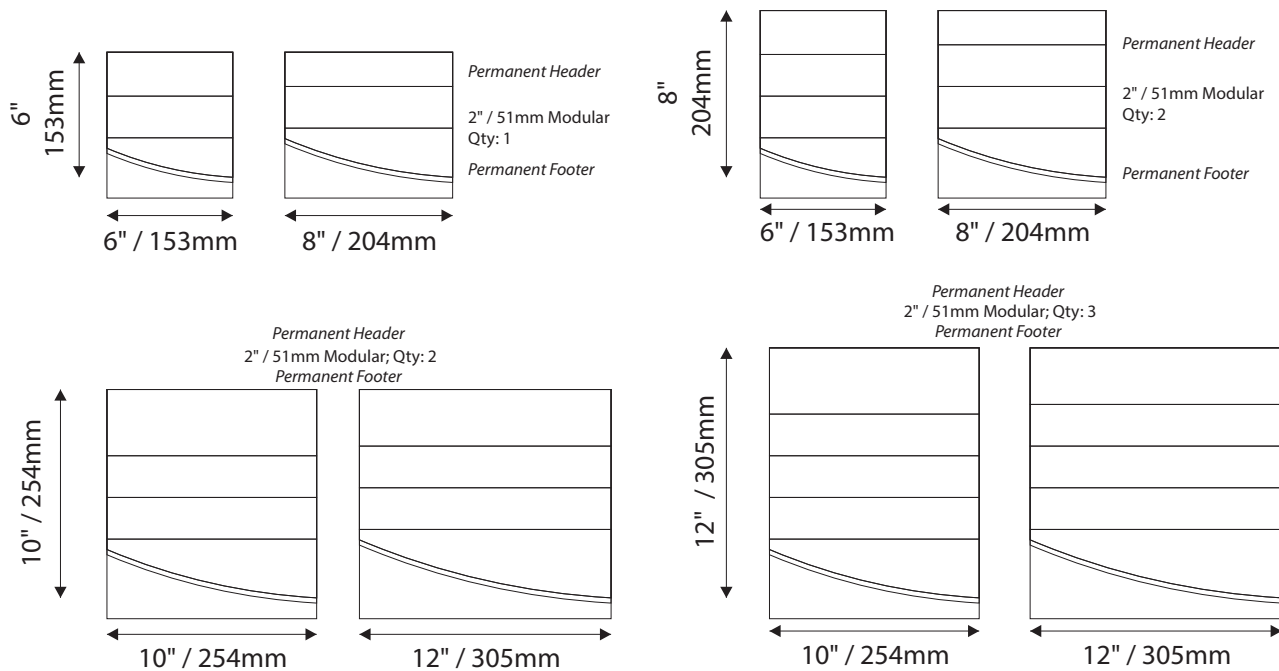
IPC.1937/REV.3

Standard Sizes Manhattan Collection

Room Identification with Modular - Palladium Rigid Vinyl Sheet (113 / 123)



Room Identification with Modular - Photopoly/Digital Print (113 / 123)

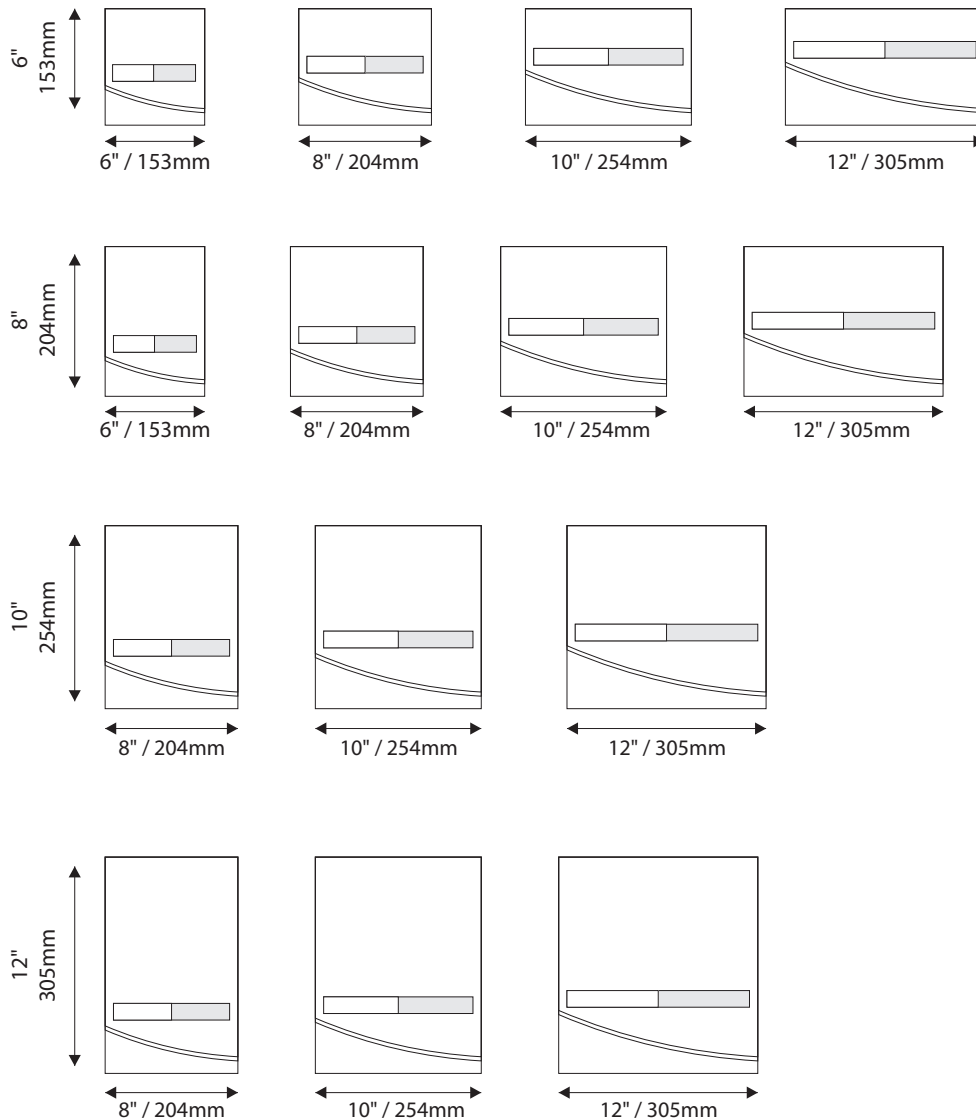


IPC.1937/REV.3

Standard Sizes

Manhattan Collection

Room Identification with Slider Display (130)

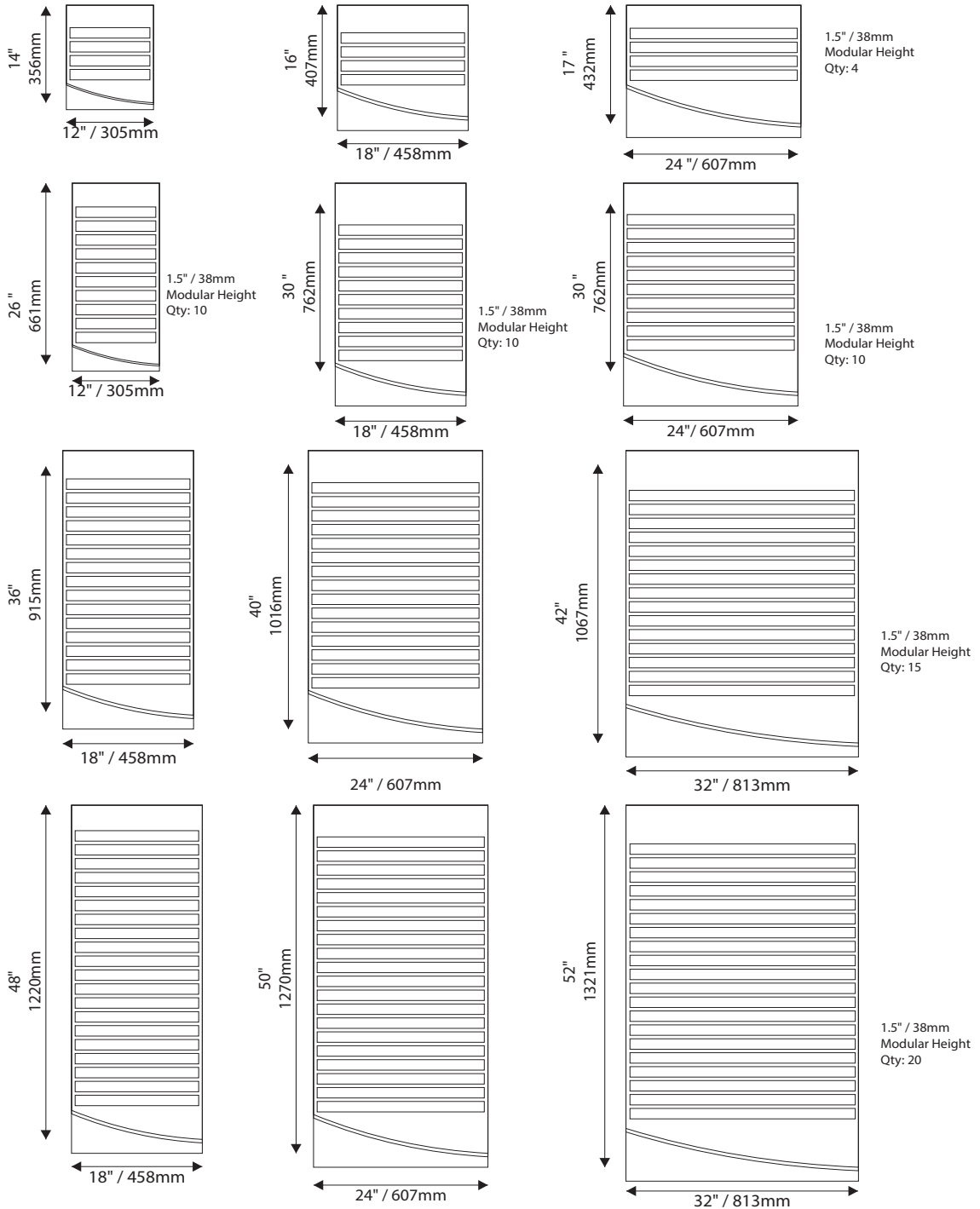


- Slider Displays are available in height of 1" (25mm) , 1.5" (38mm) and 2" (51mm)
- Slider displays are 1" (25mm) less the sign width.
- Slider display are printed to match the finish of the sign face.
- All slider display text is permanent and can not be changed or updated.

IPC.1937/REV.3

Standard Sizes Manhattan Collection

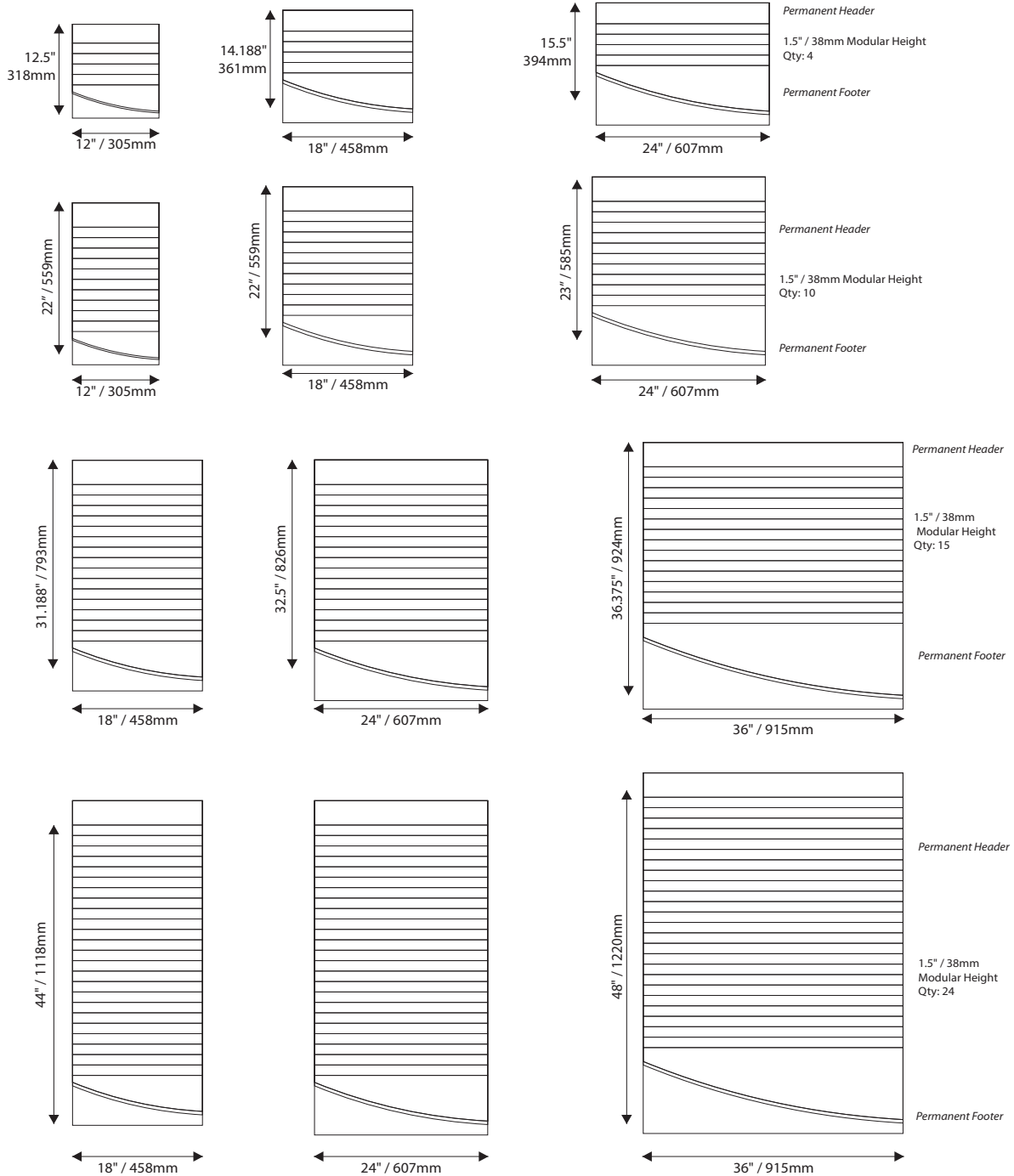
Directories - Palladium Rigid Vinyl Sheet (503RS)



IPC.1937/REV.3

Standard Sizes Manhattan Collection

Directories - Digital Print (503DP)

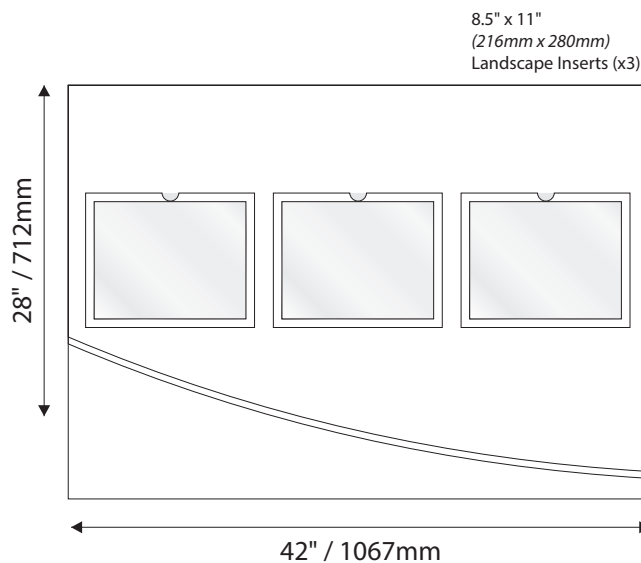
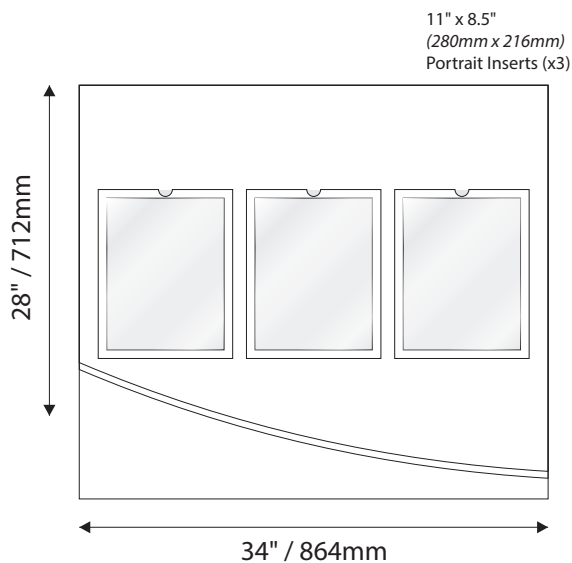
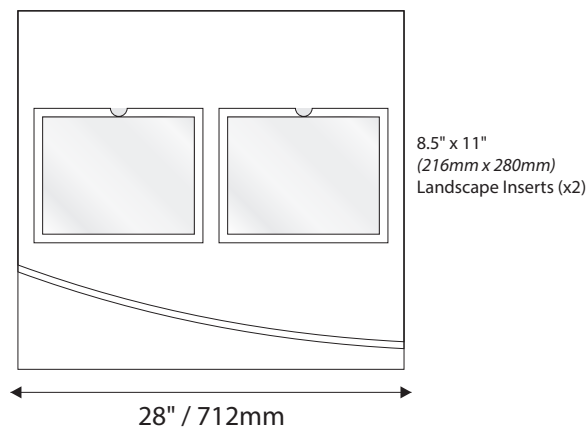
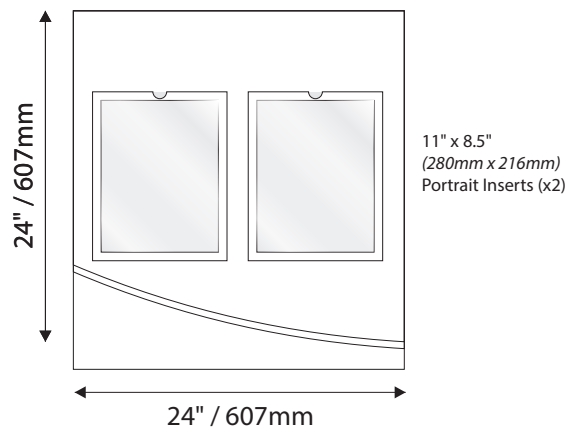
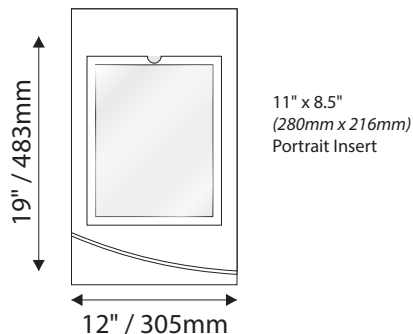
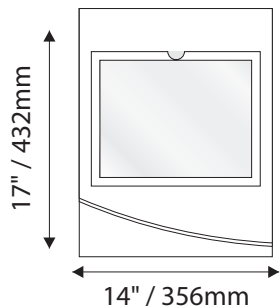


IPC.1937/REV.3

Standard Sizes

Manhattan Collection

Modular Windows Signs (443)



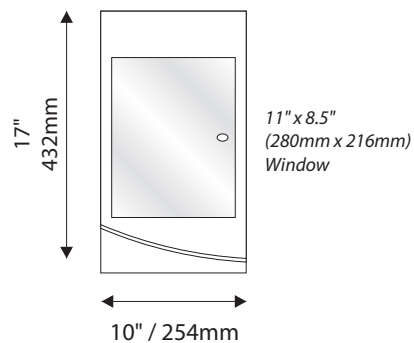
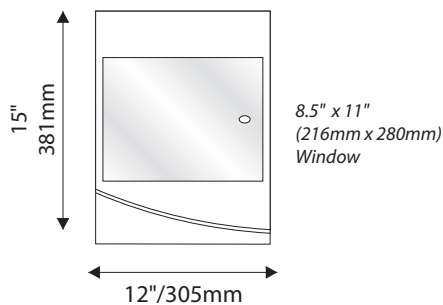
IPC.1937/REV.3

Standard Sizes

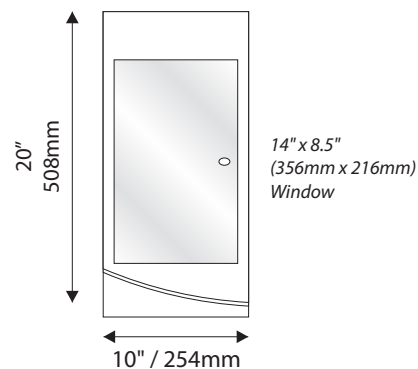
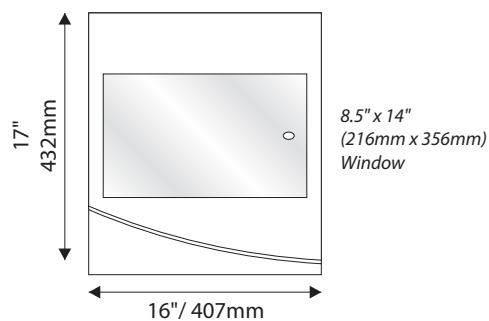
Manhattan Collection

Informational Window Sign (440)

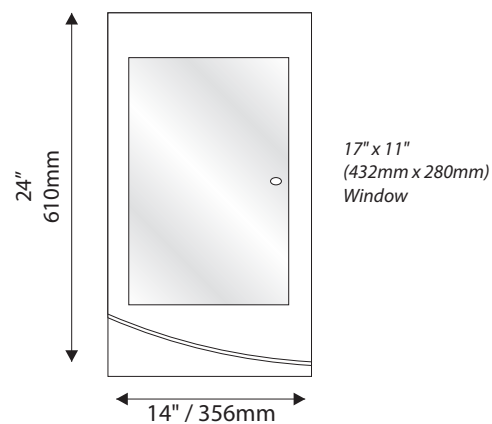
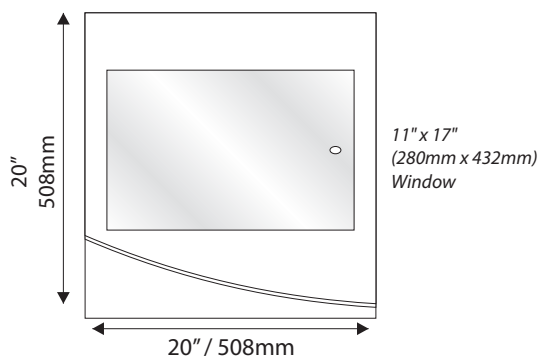
Letter



Legal



Ledger/Tabloid



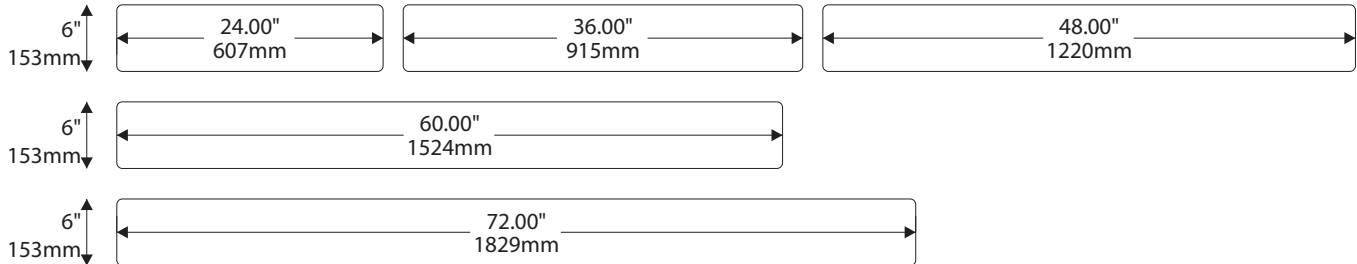
IPC.1937/REV.3

Standard Sizes

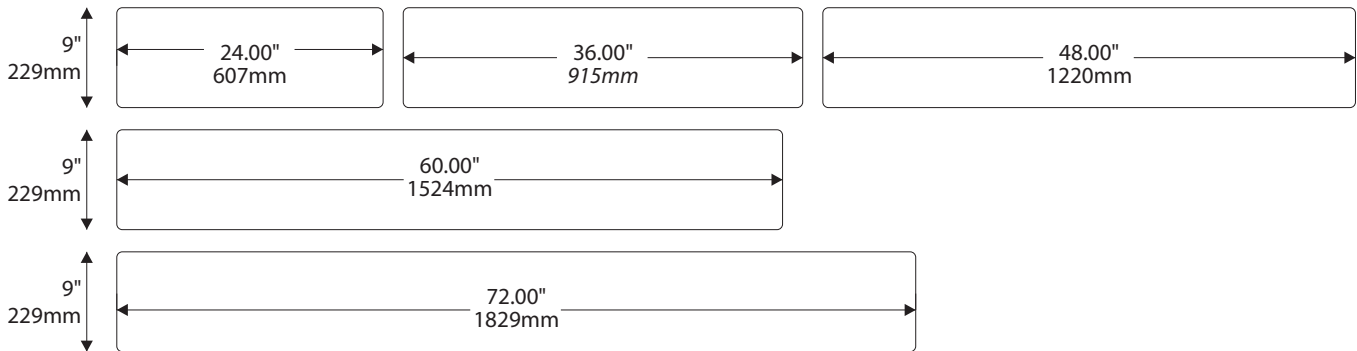
Manhattan Collection

Overhead Mounted (230)

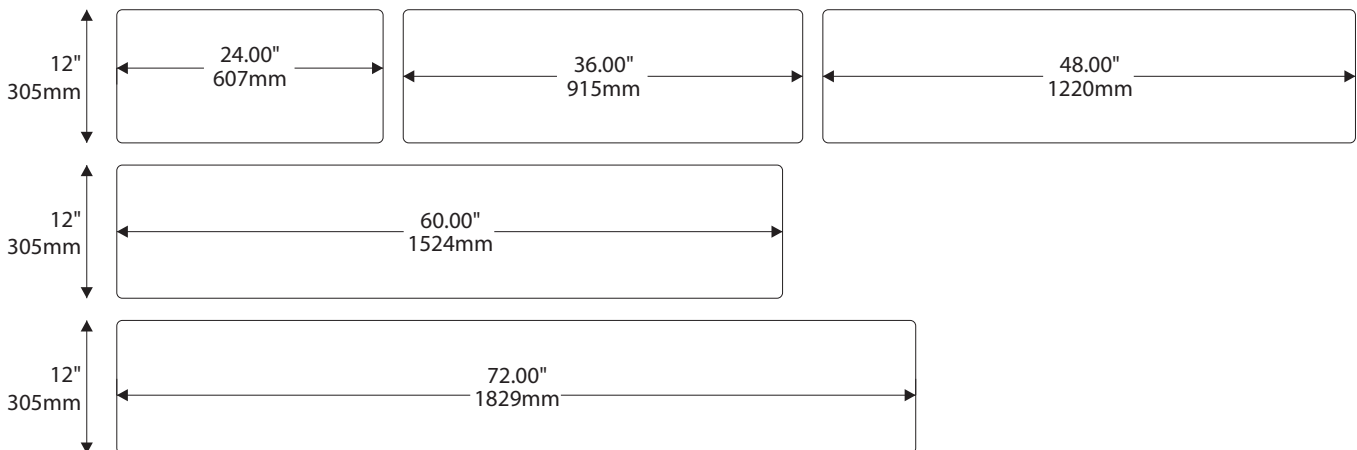
Due to the nature of InPro's overhead track system, the Manhattan shape is not available



6" H/ 153mm Overheads can accommodate up to (2) lines of 2" / 51mm Text



9"H/229mm Overheads can accommodate up to (3) lines of 2" / 51mm Text

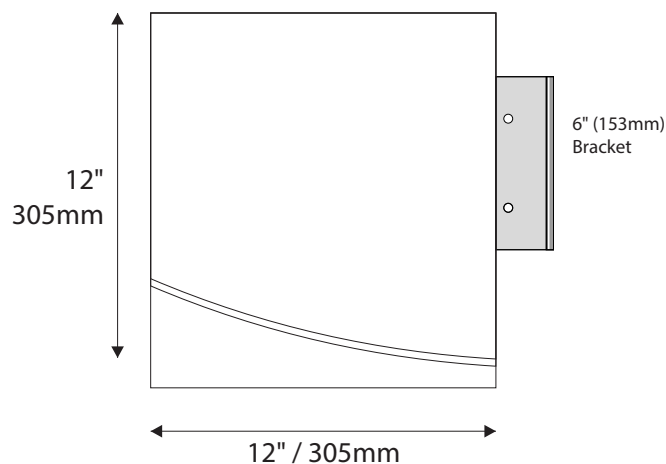
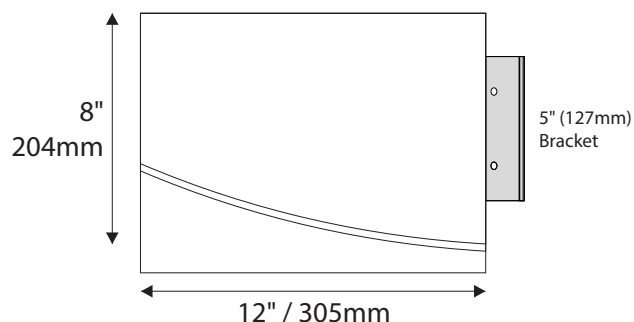
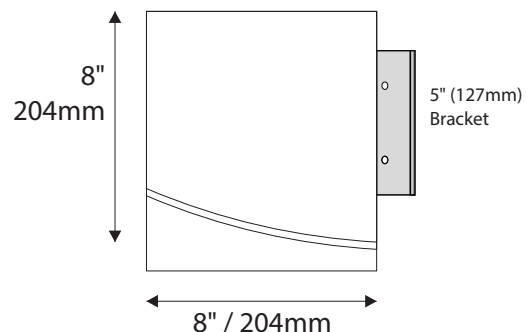
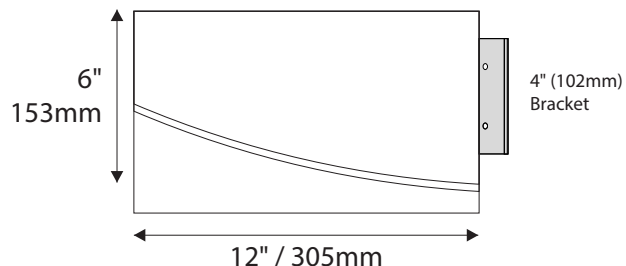
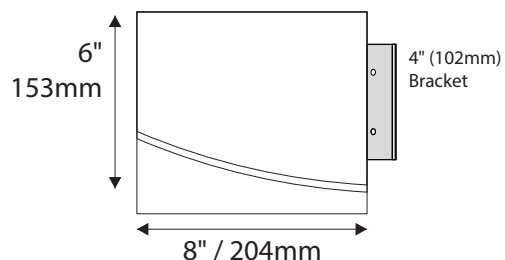
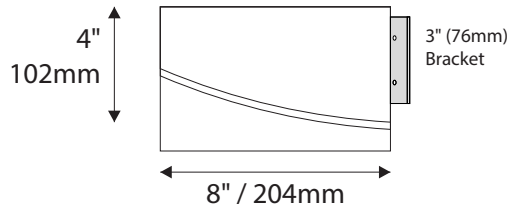
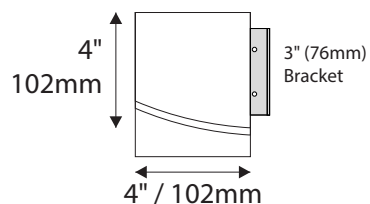


12"H/305mm Overheads can accommodate up to (4) lines of 2" / 51mm Text

IPC.1937/REV.3

Standard Sizes Manhattan Collection

Projection Mounted (119)



- All Projection Signs are double sided
- Bracket size will vary depending on sign size

IPC.1937/REV.3