

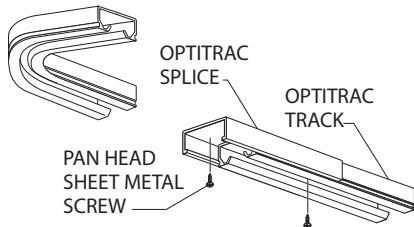
OptiTrac® Suspended Track

Installation Instructions

Note: Verify the drop ceiling is installed and functioning properly before installing track.

1. Layout track sections on the floor. Join bends to straight sections of track with a splice. Trim track sections as required by layout. SEE FIG. 1

FIG. 1

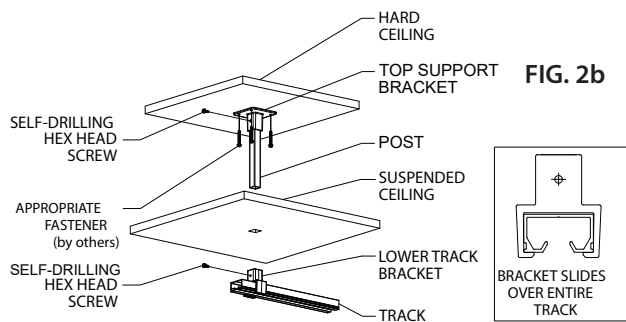


Mounting to a hard ceiling. SEE FIG. 2

- A1. Attach top support bracket to the hard ceiling with the appropriate fasteners for the substrate. Locate support brackets at splices and spaced every two feet.
- A2. Cut the posts to the correct lengths (maximum recommended length is 2-feet) and attach them to the top bracket with one hex head screw per bracket. If going through ceiling tiles, cut square holes in the tiles at the post locations.

FIG. 2

OPTITRAC SUSPENDED TRACK



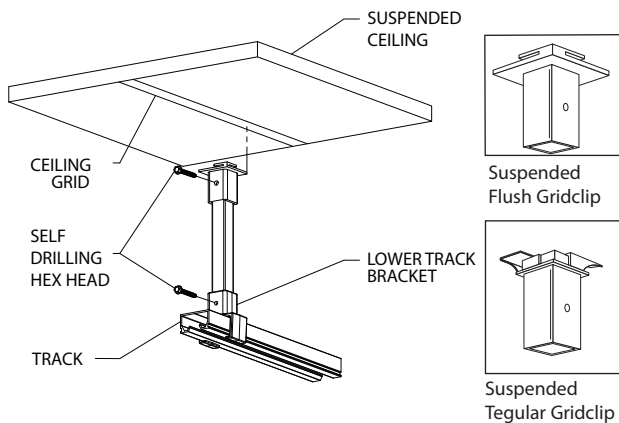
- A3. Slide the lower brackets over the track. SEE FIG. 2b
Position the lower brackets under the post locations and attach bracket to posts.

- A4. If the hard ceiling is sloped, use the sloped ceiling bracket on the ceiling.

- A5. Attach L-Bracket where the track meets the wall. Drill holes in L-bracket and attach it to the wall with two #10 x 1-3/4" sheet metal screws and alligator anchors. Fasten the track to the L-Bracket with one #8x1/2" hex head self-drilling screw. SEE FIG. 4. (next page).

With suspended support gridclips attached to the suspended ceiling grid. SEE FIG. 3:

FIG. 3



- B1. Attach suspended support gridclips on the ceiling grid with one clip every 2 feet. Use suspended flush gridclips for flush ceiling tiles and suspended tegular gridclips for tegular edge ceiling tiles.

- B2. Cut post to appropriate length and attach it to the gridclips.

- B3. Screw the bottom track holder to the post.

- B4. Attach the track assembly to the bottom track holder on the post.

- B5. Attach L-Bracket where the track meets the wall. Drill holes in L-bracket and attach it to the wall with two #10 x 1-3/4" sheet metal screws and alligator anchors. Fasten the track to the L-Bracket with one #8x1/2" hex head self-drilling screw. SEE FIG. 4. (next page).

IPC.549/REV.3

OptiTrac® Suspended Track

Installation Instructions

FIG. 4

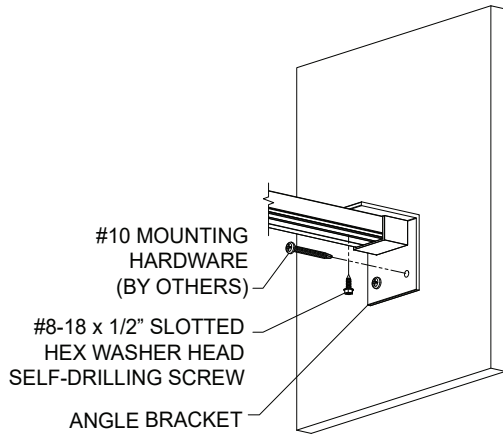


FIG. 5

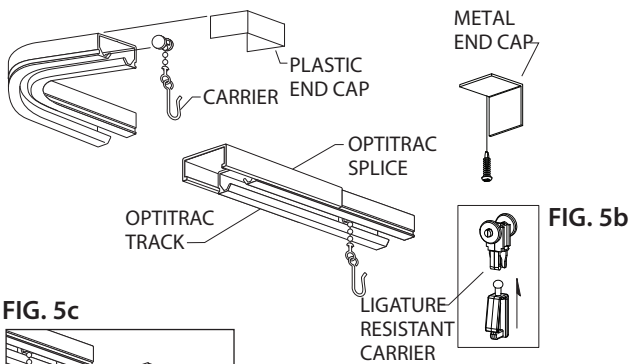


FIG. 5c

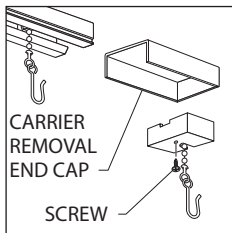
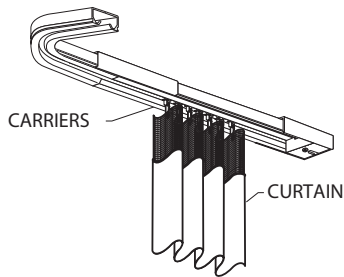


FIG. 6



3. Slide the carriers onto the track by removing the screw holding the inner cap of the carrier removal end cap and pull out the inner cap. Slide the carriers into the track. Replace inner cap and screw. If using plastic or metal end caps, attach end cap after installing carriers. SEE FIG.5

If using the Pop Out Carrier:SEE FIG. 5b

3a1. Snap carrier onto body.

3a2. Place carrier hooks into curtain grommets. Lock carriers into place.

3a3. Slide carriers on the track. The Carrier removal end cap may also be used to hold the end of the curtain in place. SEE. FIG. 5c

To do this remove the screw holding the inner cap of the carrier removal end cap and pull out the inner cap. Place a beaded chain carrier in the inner cap with the hook and chain hanging through the narrow slot. Insert the inner cap back into the carrier removal end cap and attach with the screw. Place the end grommet of the curtain on the hook.

4. Attach curtains to the carriers. SEE FIG. 6