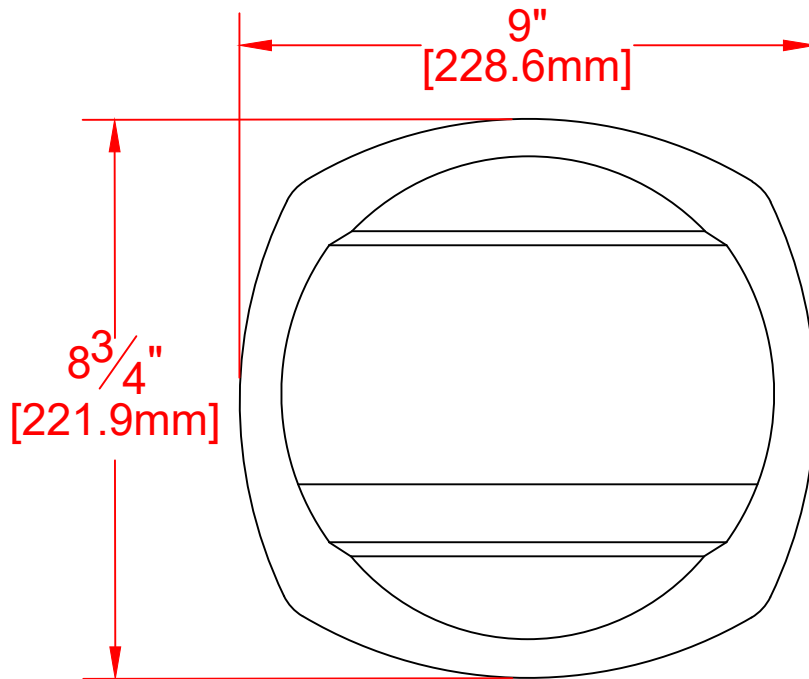
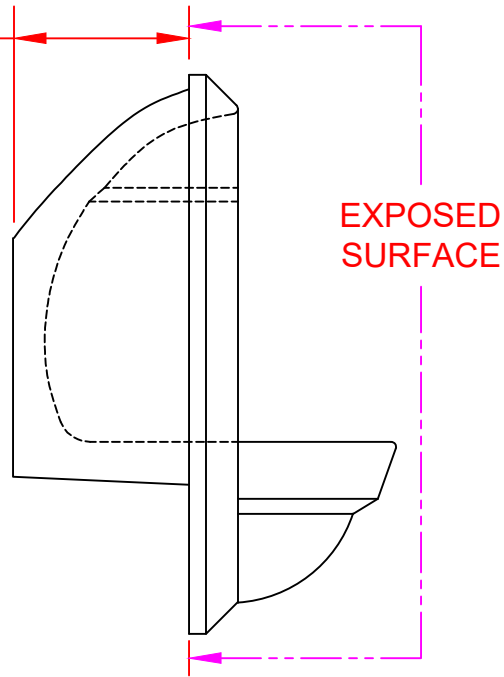


2 3/4"
[69.5mm]



NOTE: [] DIMS ARE IN mm.

FINISH: N/A

PROJECT:
CUSTOMER:
LOCATION:

OVAL RECESSED SOAP DISH
PRISM™ SOLID SURFACE

DATE:	07/30/2020
SCALE:	NTS
DOC:	CADEN.057/r2

inpro.
For More Information Visit: Inprocorp.com