

Installation Instructions

Palladium® 3D Hi Impact Wall System, Partial Height with Color Matched Caulk Joints

Please read all instructions before installing Palladium® 3D Hi Impact Wall System.

1. Before installation:

- a. Acclimate IPC rigid sheet, Palladium® 3D boards, adhesives and wall substrates to room temperature 24 hours before installation.
- b. Allow rigid sheet to lie flat 24 hours before installation.
- c. 24 hours before, during and 48 hours after installation, maintain a building temperature between 70-80 F and keep humidity below 80%.
- d. Substrate must be dry, well sealed and free of dirt, loose paint, wax and grease. Glossy surfaces may require sanding or priming to help promote adhesion.
- e. Remove any coatings designed to improve clean-up as these coatings may affect adhesion.
- f. InPro Bond or XT-2000+ adhesives can be used to apply rigid sheet to securely adhered vinyl wallcovering. Adhering rigid sheet over existing sheet or VWC will increase smoke generation, flame spread, and negate the UL Class A fire rating. If you choose to do this, follow the non-porous installation instructions that accompany InPro Bond and XT-2000+ adhesives.
- g. Rolled Sheet – Unroll sheet immediately upon receipt of product. If roll set occurs, reverse roll sheet until sheet lays flat. With rolled sheet, follow non-porous installation instructions (see step 3). This allows the adhesive to become tackier. Keep sheet length to a maximum of 12'.

Tools

Chalk Line or Laser Level, Level, Straight Edge, Tape Measure, Drop Cloth, Painter Tape, Utility knife, Power Miter Box, Carbide tipped saw blade with 60-80 teeth, Pneumatic Brad Nailer, 1-1/2" Brad Nails, 1/8" v-notched trowel with 1/2" [13mm] spacing, InPro Bond Adhesive, PL Premium Adhesive, Color Matched Fill Stick, Vinylseal Color Matched Caulk.

Chart #1

Trim Width	Gap
2" Board/Corner	1"
2-1/2" Board	1-1/2"
3" Board/Corner	2"
4" Board/Corner	3"
6" Board/Corner	5"
8" Board/Corner	7"
Trim Cap/Trim Shoe	1"

IPC.479/Rev.4

IPC® Door + Wall Protection

inpro.com • 800.222.5556 • 262.679.9010

World Headquarters S80 W18766 Apollo Drive, Muskego, WI 53150 USA

Installation Hotline: 866.394.6776

inpro®

Installation Instructions

Palladium® 3D Hi Impact Wall System, Partial Height
with Color Matched Caulk Joints

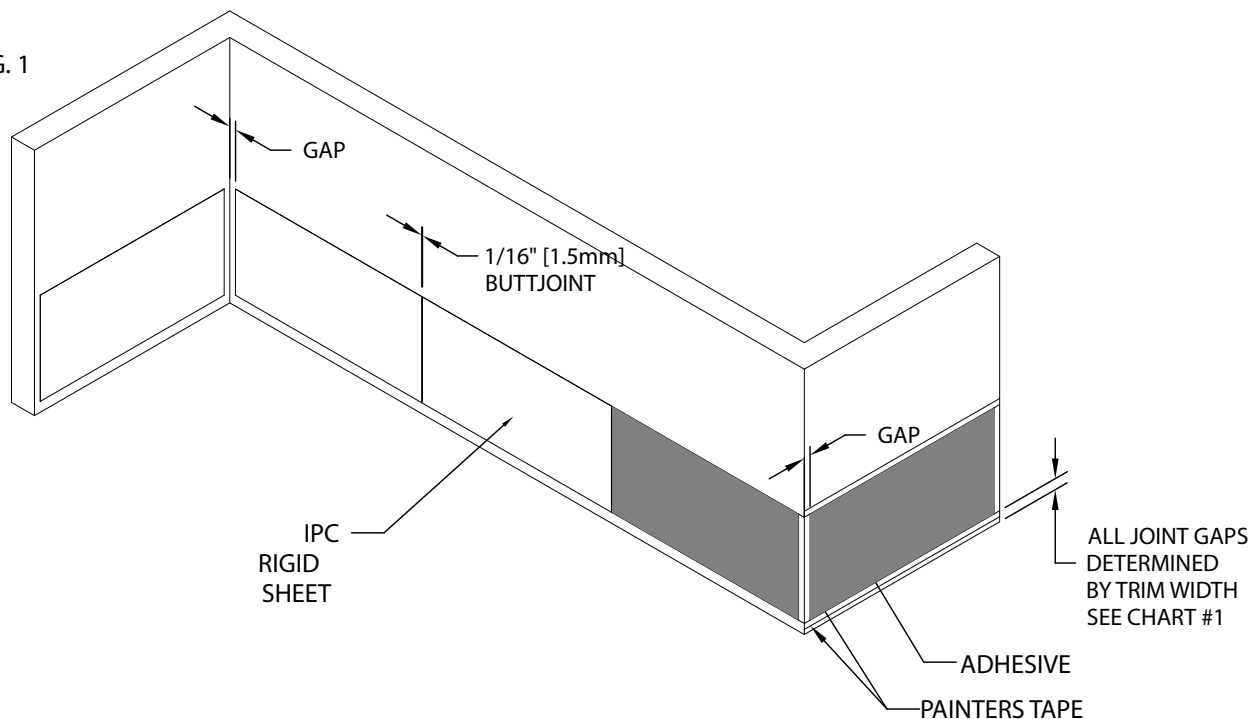
INPRO BOND ADHESIVE OR XT-2000+ ADHESIVE

1. Mark the wall with the locations of the gaps needed for Horizontal Boards and Inside and Outside Corners. Follow the gap chart for the size of the trim boards and corners. Apply painter tape to the gaps.
2. Apply adhesive to the wall with a 1/8" v-notched trowel with 1/2" [13mm] spaces between the notches. Allow the adhesive to tack up for 30-45 minutes. One section at a time remove the tape from the wall. Position rigid sheet on wall. Repositioning of the rigid sheet on the wall can be done for 20-30 minutes. After rigid sheet is on the wall, apply heavy body pressure to the sheet with an IPC extension roller. Roll entire surface of the sheet.
3. When a butt joint is used, leave a 1/16" gap between sheets to allow for expansion. Installation of Vinylseal- Use Vinylseal to fill-in the joint between sheets. Apply masking tape along both edges of the joint. Cut the spout at a 45° angle and apply caulk directly to the joint. With a moistened finger or a putty knife, remove excess caulk from the joint. Remove masking tape and allow Vinylseal to completely cure. If sinking occurs, reapply Vinylseal following the steps listed above.
4. Continue applying sheet to each section following the same steps. SEE FIG. 1

NOTE: Non-porous substrates that entrap water require longer drying times. When adhering rigid sheet to metal, plastic laminate, glazed block, rigid plastic or vinyl wallpaper, allow adhesive to dry a minimum of 1 hour but not more than 3 hours. Adhesive should be firm to the touch and not transfer off the substrate before applying the rigid sheet. When installing, keep material flat and properly aligned as you would with contact cement.

Remove excess adhesive with damp cloth before adhesive cures.

FIG. 1



IPC® Door + Wall Protection

inpro.com • 800.222.5556 • 262.679.9010

World Headquarters S80 W18766 Apollo Drive, Muskego, WI 53150 USA

Installation Hotline: 866.394.6776

inpro®

Installation Instructions

Palladium® 3D Hi Impact Wall System, Partial Height
with Color Matched Caulk Joints

See FIG. 4 for Palladium® trim options.

Installation of Horizontal Board or Trim Cap or Trim Shoe as Wall Base. SEE FIG. 2

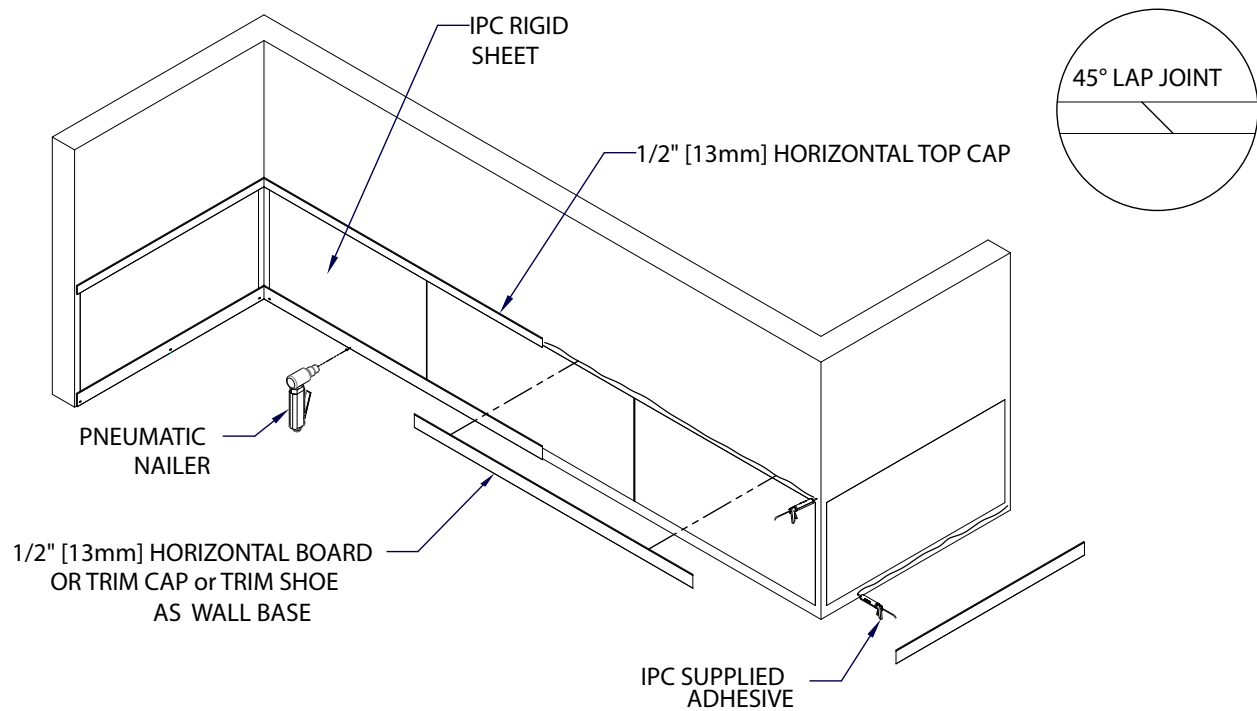
1. Miter cut the base inside corners, outside corners and lap joints. Apply a ¼" [6mm] bead of PL Premium adhesive on the wall below the bottom edge of the sheet.
2. Install the wall base starting at an inside or outside corner. Position the wall base on the wall, pressing it to the wall to make firm contact with the adhesive. Nail with a pneumatic brad nailer 24" [610mm] O.C on wall base to help hold it in position until the adhesive sets-up. Do not nail through IPC Rigid Sheet.
3. Fill nail holes with color matched filler.

See FIG 4 for Palladium® trim options.

Installation of Horizontal Top Cap, Trim Cap, Trim Shoe or Horizontal Decorative Molding Board as the top board. SEE FIG. 2

1. Determine a level line at the top edge of the sheet for the top board.
2. Cut the horizontal top piece to length miter cutting the inside corners, outside corners and lap joints.
3. Apply a ¼" [6mm] bead of PL Premium above the top edge of the sheet making sure the adhesive does not go above the top of the top board.
4. Nail with a pneumatic brad nailer 24" [610mm] O.C on horizontal piece to help hold it in position until the adhesive sets-up. Do not nail through IPC Rigid Sheet.
5. Fill nail holes with color matched filler.

FIG. 2



IPC® Door + Wall Protection

inpro.com • 800.222.5556 • 262.679.9010

World Headquarters S80 W18766 Apollo Drive, Muskego, WI 53150 USA

Installation Hotline: 866.394.6776

inpro®

Installation Instructions

Palladium® 3D Hi Impact Wall System, Partial Height with Color Matched Caulk Joints

Installation of inside corners and outside corners. SEE FIG. 3

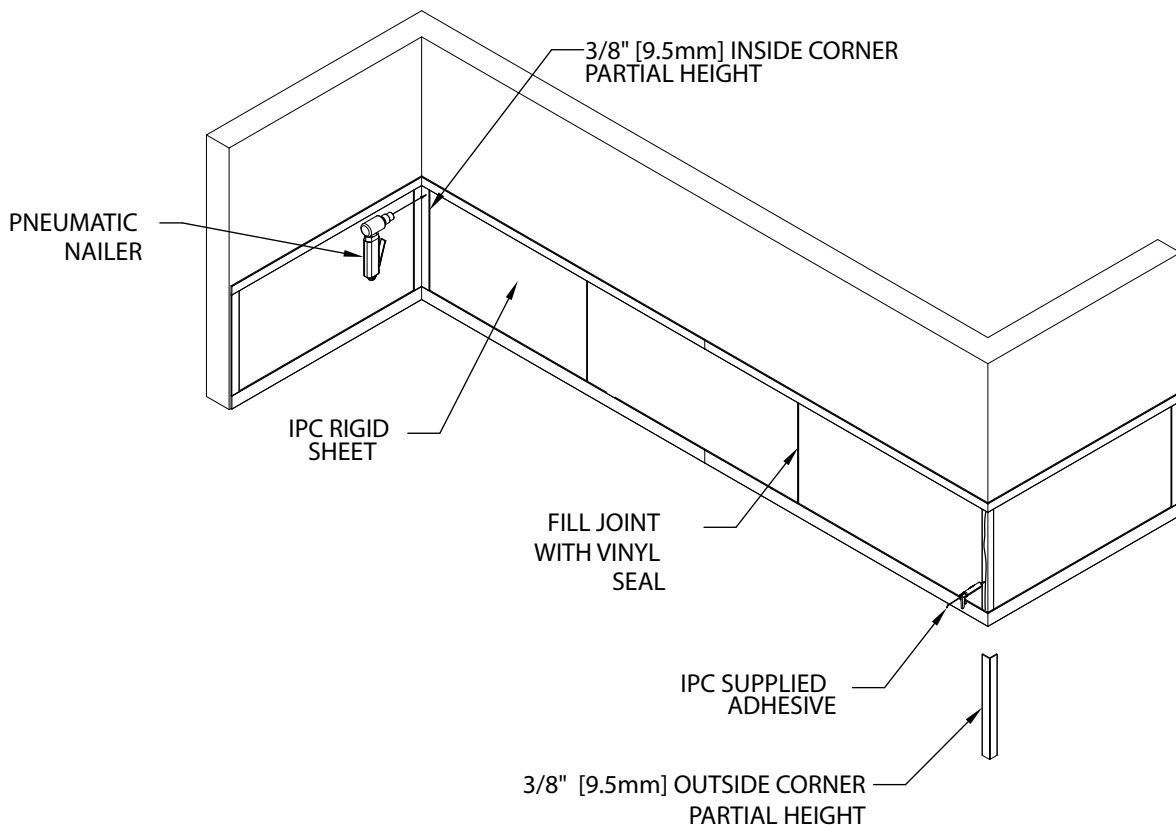
1. Cut the inside corners and outside corners to the distance between the base and the top horizontal board.
2. Apply a ¼" [6mm] bead of PL Premium between the vertical edges of the sheet.
3. Nail with a pneumatic brad nailer 24" [610mm] O.C on vertical stile to help hold it in position until the adhesive sets-up. Do not nail through IPC Rigid Sheet.
4. Fill nail holes with color matched filler.

See FIG 4 for Palladium® trim options.

Installation of Vinylseal Color-matched Caulk in the vertical seams. SEE FIG. 3

1. Use Vinylseal to fill-in the joint between sheets. Apply masking tape along both edges of the joint.
2. Cut the spout on the tube of Vinylseal at a 45° angle
3. Apply caulk directly to the joint.
4. With a moistened finger or a putty knife, remove excess caulk from the joint.
5. Remove masking tape and allow Vinylseal to completely cure.
6. If sinking occurs, reapply Vinylseal following the steps listed above.

FIG. 3



IPC® Door + Wall Protection

inpro.com • 800.222.5556 • 262.679.9010

World Headquarters S80 W18766 Apollo Drive, Muskego, WI 53150 USA

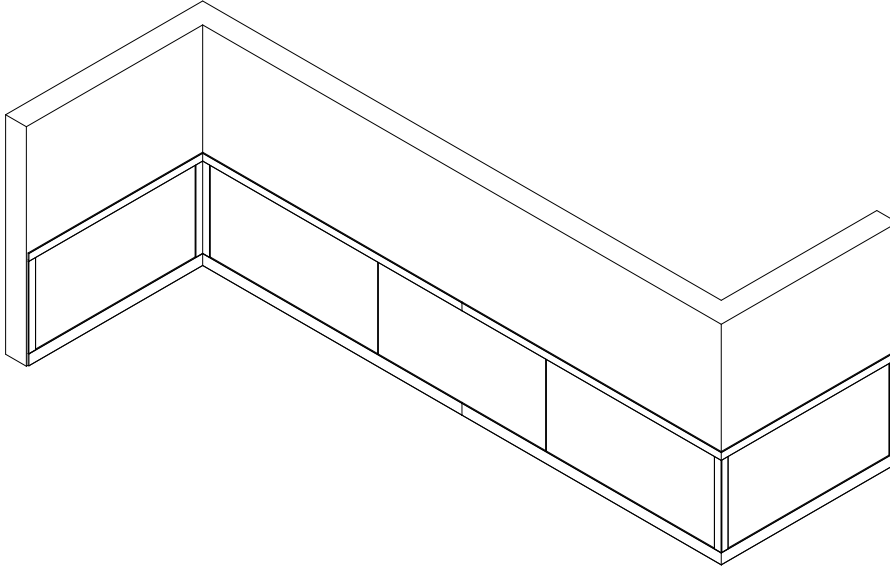
Installation Hotline: 866.394.6776

inpro®

Installation Instructions

Palladium® 3D Hi Impact Wall System, Partial Height
with Color Matched Caulk Joints

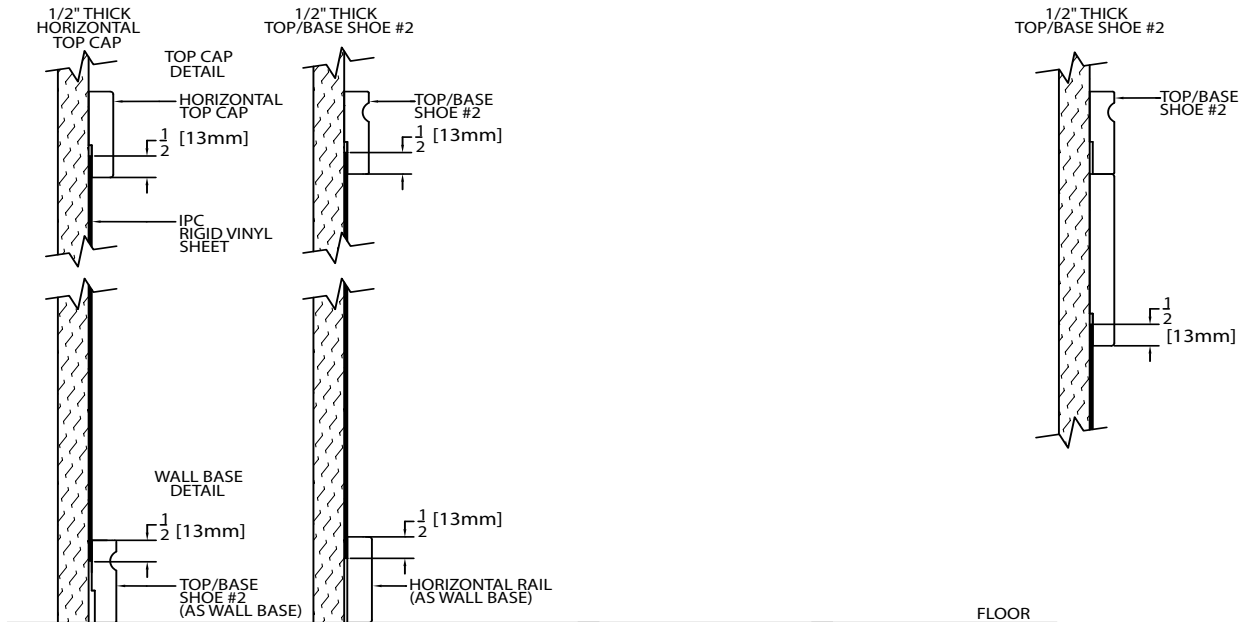
COMPLETED Palladium® WALL-WITH CAULKED JOINTS



Palladium® TRIM OPTIONS

Palladium® TRIM OPTIONS
w/HORIZONTAL TRIM CAP or TRIM SHOE
or HORIZONTAL DECORATIVE MOLDING BOARD

FIG. 4



IPC® Door + Wall Protection

inpro.com • 800.222.5556 • 262.679.9010

World Headquarters S80 W18766 Apollo Drive, Muskego, WI 53150 USA

Installation Hotline: 866.394.6776

inpro®