

# Installation Instructions

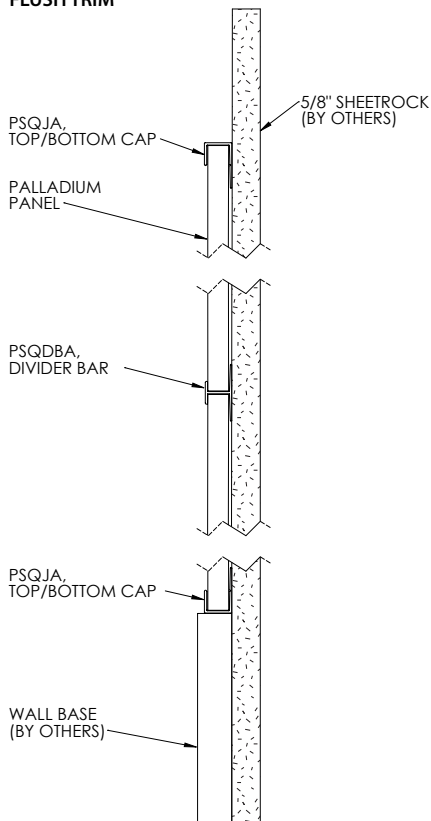
Please read all instructions before installing wall panels

## Palladium® Square Edge Panels

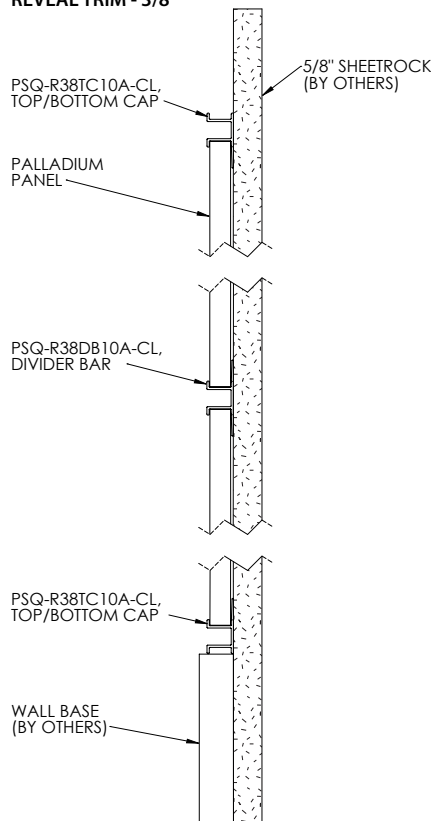
### Important

1. Before installation:
  - a. Acclimate Palladium® Panels, Trim, adhesives and wall substrates to room temperature 24 hours before installation. Ensure panels and trim are on a level surface while acclimating.
  - b. 24 hours before, during and 48 hours after installation, maintain a building temperature between 70-80 F and keep humidity below 80%.
  - c. Substrate must be dry, well sealed and free of dirt, loose paint, wax and grease. Glossy surfaces may require sanding or priming to help promote adhesion.
  - d. Remove any coatings designed to improve clean-up as these coatings may affect adhesion.
  - e. If available review related project drawings for the install
  - f. Palladium® panels should never be installed continuously to the floor finish or in conditions where moisture will come in contact with panels.

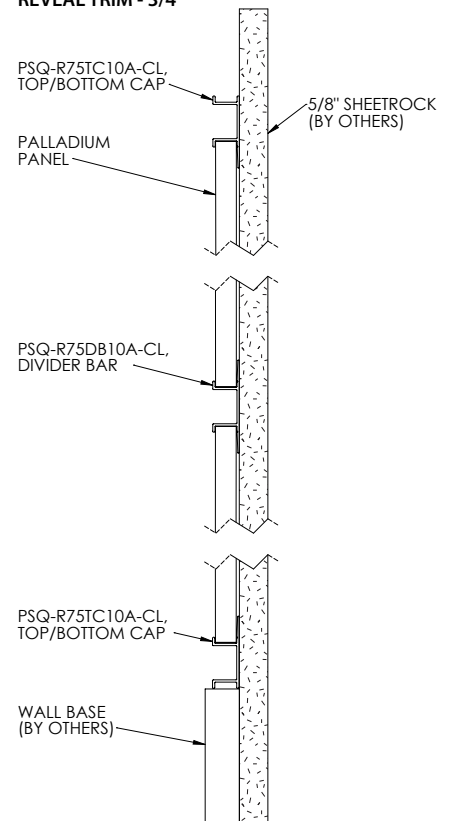
#### FLUSH TRIM



#### REVEAL TRIM - 3/8"



#### REVEAL TRIM - 3/4"



### Recommended tools:

Chalk Line or Laser Level, Level, Metal Straight Edge, Tape Measure, Drop Cloth, Painter Tape, Utility Knife, Utility Knife Blades, Table saw/Circular saw, Carbide tipped saw blade with 60-80 teeth, PL Premium® Adhesive, Color Matched Fill Stick, 1/8" and 1/4" Drill Bit, Power Drill, Left & Right Metal Snips, 6 x 1-5/8" Square Drive Wood Trim Screws with Self Drilling Point, Square drive bit, 1/16" & 1/8" Plastic Shims /Mirror Setting Blocks, Jigsaw, Suction Cup Lifters, Aluminum Colored Caulk.

IPC.665/Rev.5

IPC® Door + Wall Protection

inpro.com • 800.222.5556 • 262.679.9010

World Headquarters S80 W18766 Apollo Drive, Muskego, WI 53150 USA

Installation Hotline: 866.394.6776

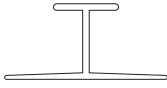
**inpro**®

# Installation Instructions

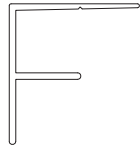
## Palladium® Square Edge Panels

### Components

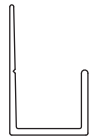
#### FLUSH TRIM



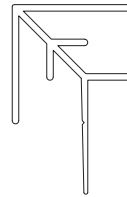
PSQDBA  
DIVIDER BAR



PSQICA  
INSIDE CORNER



PSQJA  
J-TRIM

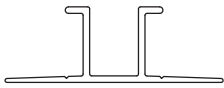


PSQOCA  
OUTSIDE CORNER

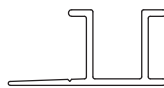


PSQTCA  
PARTIAL HEIGHT  
TOP CAP

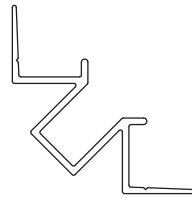
#### REVEAL TRIM - 3/8"



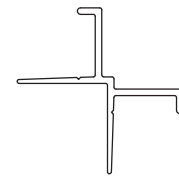
PSQ-R38DB10A-CL  
DIVIDER BAR



PSQ-R38TC10A-CL  
TOP/BOTTOM CAP



PSQ-R38IC10A-CL  
INSIDE CORNER

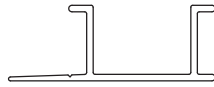


PSQ-R38OC10A-CL  
OUTSIDE CORNER

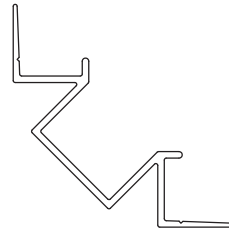
#### REVEAL TRIM - 3/4"



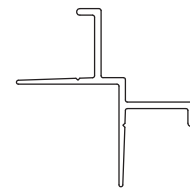
PSQ-R75DB10A-CL  
DIVIDER BAR



PSQ-R75TC10A-CL  
TOP/BOTTOM CAP

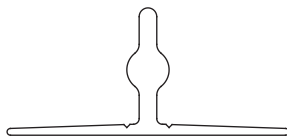


PSQ-R75IC10A-CL  
INSIDE CORNER



PSQ-R75OC10A-CL  
OUTSIDE CORNER

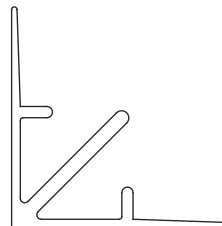
#### FINELINE TRIM



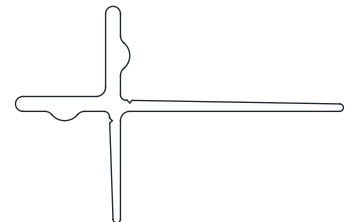
PSQFLDB10-CL  
DIVIDER BAR



PSQFLOE10-CL  
OUTSIDE EDGE



PSQFLIC10-CL  
INSIDE CORNER



PSQFLOC10-CL  
OUTSIDE CORNER

IPC® Door + Wall Protection

[inpro.com](http://inpro.com) • 800.222.5556 • 262.679.9010

World Headquarters S80 W18766 Apollo Drive, Muskego, WI 53150 USA

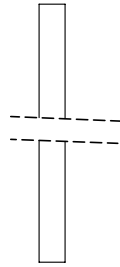
Installation Hotline: 866.394.6776

**inpro**®

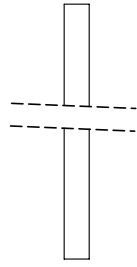
# Installation Instructions

## Palladium® Square Edge Panels

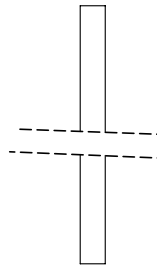
### PANEL TYPES



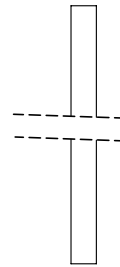
PSQ  
PALLADIUM PANEL



PSQF  
FABRIC PANEL



PSQD  
WHITE BOARD PANEL  
NON-MAGNETIC



PSQDM  
WHITE BOARD PANEL  
MAGNETIC

### Field Cutting Tips: Rigid Vinyl & G2/ White Board.

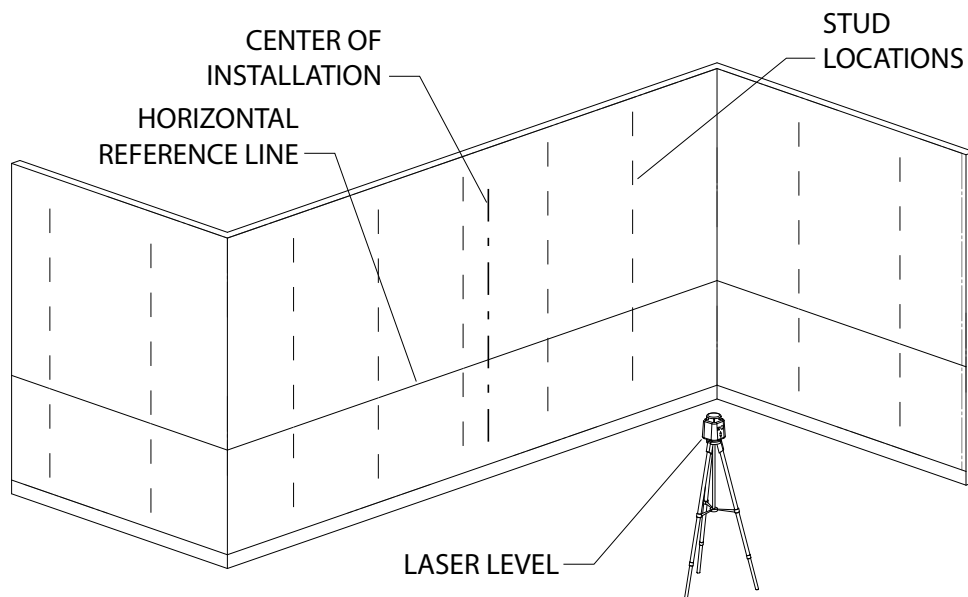
1. All panels shipped are a standard size, then field cut to appropriate size.
2. When cutting in field, use a table saw or circular saw equipped with a carbide toothed blade. ALWAYS use a straight edge when cutting. If using a circular saw, ensure shoe will not mar the finished panel by brushing bottom of shoe smooth and coating with painters tape

### Field Cutting Tips: Fabric Panels.

1. All panels shipped are a standard size, then field cut to appropriate size.
2. When cutting in field, always use a metal straight edge. Make cuts with a sharp utility knife. **NOTE:** If utility blade is dull it may cause the fabric to become frayed and damaged.

## Installation

1. Before beginning installation remove any wall covering or which may affect panel adhesion, remove all outlets from wall. Begin installation by locating and marking all studs in the area of installation. Set up laser level and a mark horizontal reference line on wall. Mark the center of the installation make sure line is plumb, these lines can be used to layout the rest of installation on the wall.



IPC® Door + Wall Protection

inpro.com • 800.222.5556 • 262.679.9010

World Headquarters S80 W18766 Apollo Drive, Muskego, WI 53150 USA

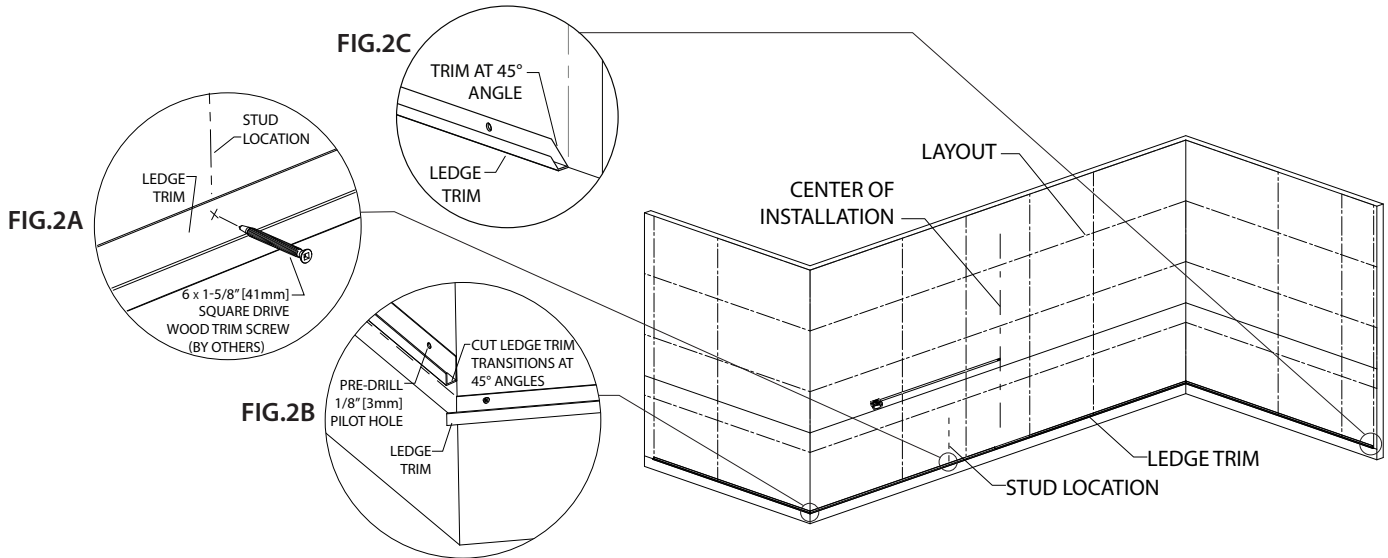
Installation Hotline: 866.394.6776

**inpro**®

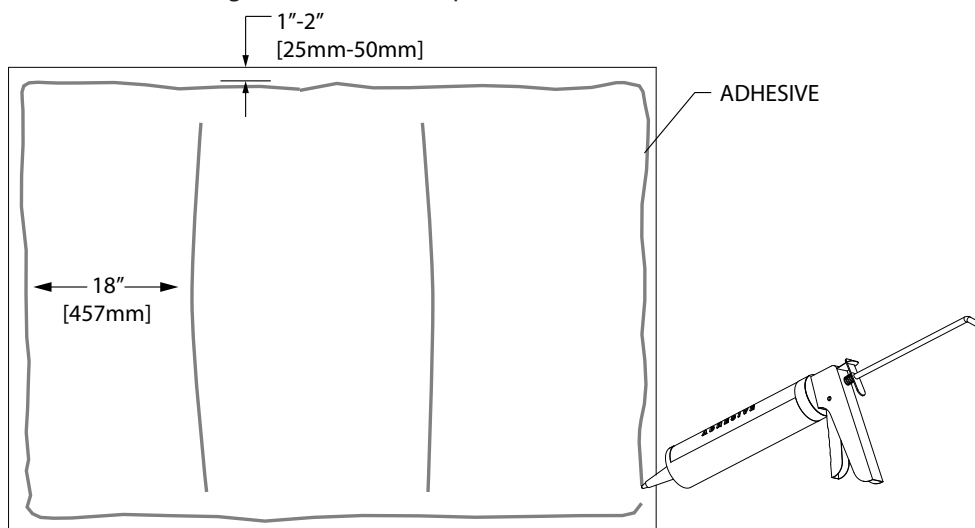
# Installation Instructions

## Palladium® Square Edge Panels

2. Using the center of wall line and reference line, layout wall panel pattern. Once layout is complete, install ledge trim on the bottom of the layout, continuous along the entire length of the installation.
  - a. Secure the ledge trim at each stud location using the square drive wood trim screws (by others). FIG.2A
  - b. Cut aluminum trim at intersections using metal snips. Ensure the joints of the intersections are clean, snug together, and free of gaps. Before securing transitions in place using the trim screws, drill a 1/8" [3mm] pilot hole into the back face of the trim pieces near all transitions ALWAYS deburr cuts. FIG.2B
  - c. When installing horizontal trim at a vertical transition point, cut ledge trim back at a 45° angle. FIG.2C



3. Begin installing panels, cut the first panel to size and dry fit the panel to its final location on the layout. **NOTE:** If using wood grain panels ensure grain is oriented in the correct direction. **NOTE:** if installing white board panels see step 17. **TIP:** Begin installing first panel at or near the middle of the installation area, this will help minimize dimension deviations from one end of the install to the opposite.
  - a. Apply 1/4" [6mm] bead of construction grade adhesive to the back of the panel, ensure adhesive lines the outside boundaries of the panel, staying about 1"-2" [25-50mm] away from the edge, then a bead centered through the panel of 18" [457mm] on center through the center of the panel



IPC® Door + Wall Protection

inpro.com • 800.222.5556 • 262.679.9010

World Headquarters S80 W18766 Apollo Drive, Muskego, WI 53150 USA

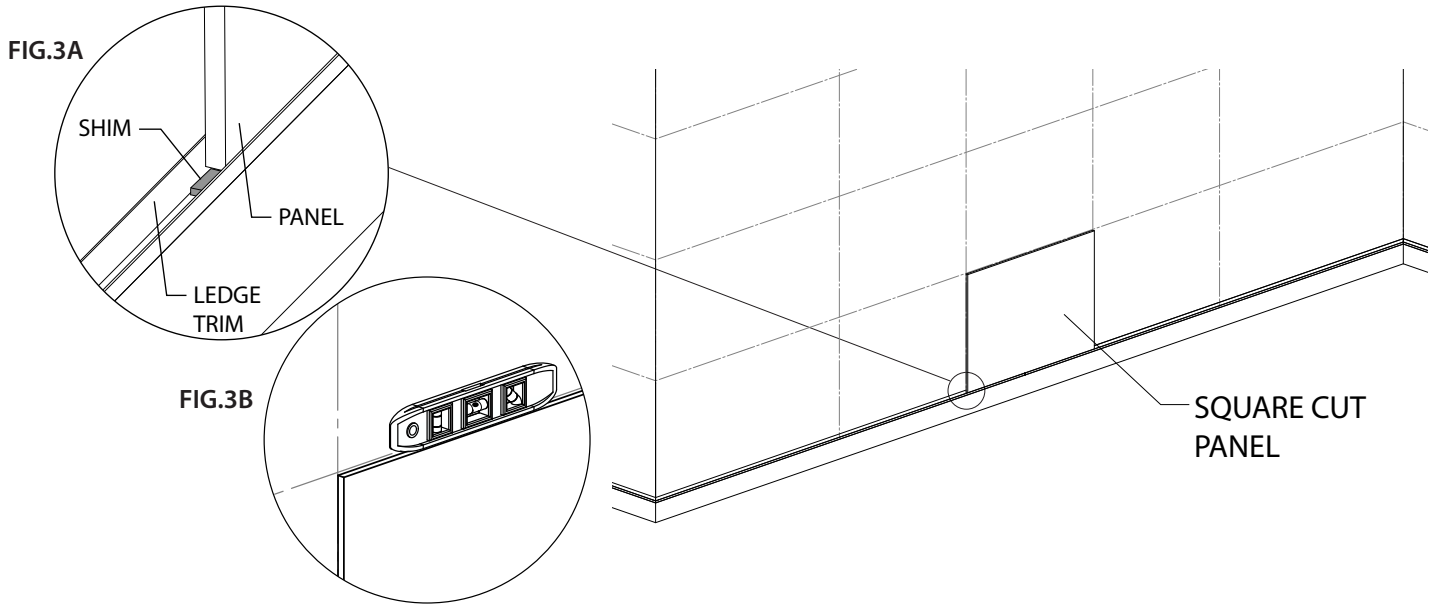
Installation Hotline: 866.394.6776

inpro®

# Installation Instructions

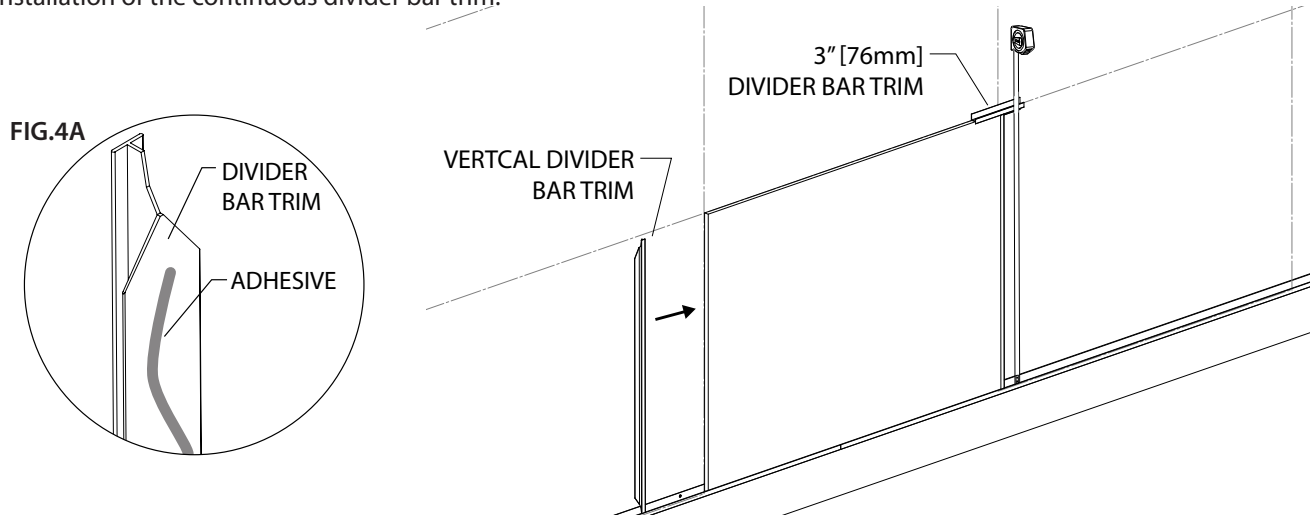
## Palladium® Square Edge Panels

4. Using suction cup lifters, position the panel in the correct location on the wall. Press panel firmly against the wall to ensure full adhesion.
  - a. It is important for the top edge of the panel to be level and near flush with the layout line. If needed shim the bottom of the panel using the plastic shims or mirror setting blocks. FIG.3A
  - b. Ensure the panel is level after shimming. FIG.3B



5. Cut a small length of divider bar trim, place this on top of the panel (small face exposed). Measure the distance between the top of the exposed face of the bottom ledge trim, and the bottom edge of the exposed divider bar.
  - a. Cut a length of divider bar trim equal to the distance between trim pieces.
  - b. Trim the back (wide face) of each trim piece as shown below using metal snips, after trimming back face apply a bead of adhesive to the back side of the wide face. FIG.4A
  - c. Slide wide face of vertical divider bar underneath installed panel; ensure the trim piece is plumb and centered over the layout line.

**NOTE:** For long horizontal runs it is recommended that a piece of divider bar trim is left on the top of the panel for 20-30 minutes when each panel is installed, this will ensure gap between panel and wall will be large enough for the installation of the continuous divider bar trim.



IPC® Door + Wall Protection

[inpro.com](http://inpro.com) • 800.222.5556 • 262.679.9010

World Headquarters S80 W18766 Apollo Drive, Muskego, WI 53150 USA

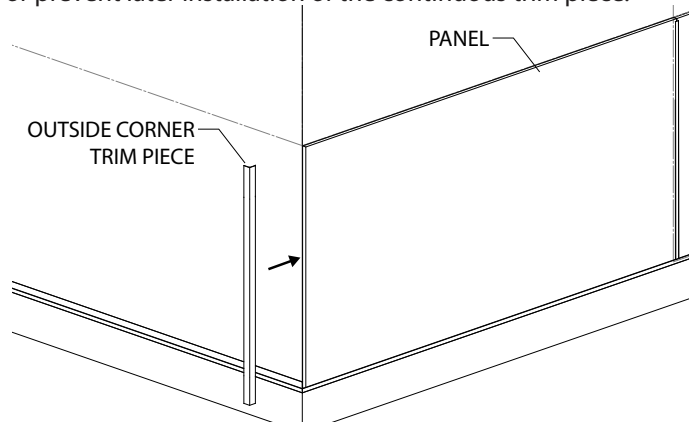
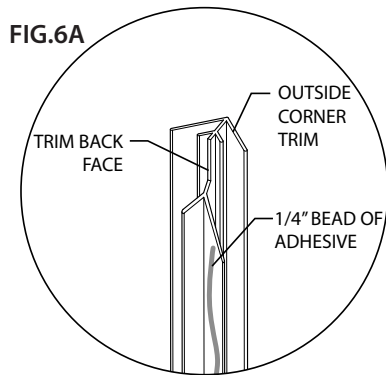
Installation Hotline: 866.394.6776

**inpro**®

# Installation Instructions

## Palladium® Square Edge Panels

6. Repeat steps 3 through 5 for the rest of the horizontal run. **NOTE:** It is critical for the top edge of each panel to be flush and parallel with the panel installed next to it. If installation calls for continuous vertical corner trim pieces, finish entire installation on wall section, then continue to next wall section. (See Steps 7c and 10b-10c for continuous trim installation steps)
7. When an installation meets an inside or outside corner.
  - a. Install vertical trim piece similar to vertical divider bars, unless trim piece is to be continuous. FIG.6A
  - b. After trim piece has been press fit into place secure in place using the wood finishing screws.
  - c. If outside corner trim piece is to be continuous, cut small 2" [50mm] sections, as many as appropriate and temporarily dry fit the trim pieces in place. Ensure panel adhesive has not spread to the edge of the panel, this may permanently adhere the temporary trim pieces or prevent later installation of the continuous trim piece.



8. For inside corners, install panel into position as described previously, ensure the edge of the panel rests flush against the intersecting wall. Do not install trim piece at this time.
9. Once an entire row of panels is complete, install the continuous horizontal divider bar. Measure length of entire run, make the necessary additions or deductions to allow the vertical corner trim conditions. If vertical corner trim is continuous, cut horizontal trim flat to butt horizontal and vertical trim together.
  - a. Install continuous lengths of the divider bar trim, if run is greater than 10ft [3m] butt sections together. Once horizontal trim is installed ensure it is level, secure horizontal divider bar trim in place using the wood trim screws (by others). FIG.7A
  - b. At corner transitions, if horizontal trim is to be continuous, cut divider bar trim at 45° angles FIG.7B/ FIG.7C

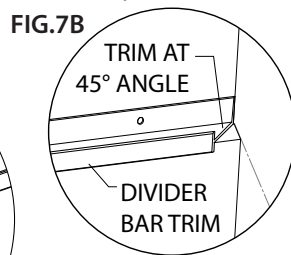
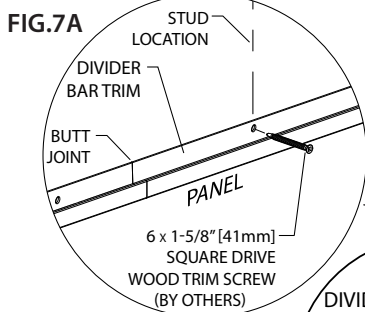
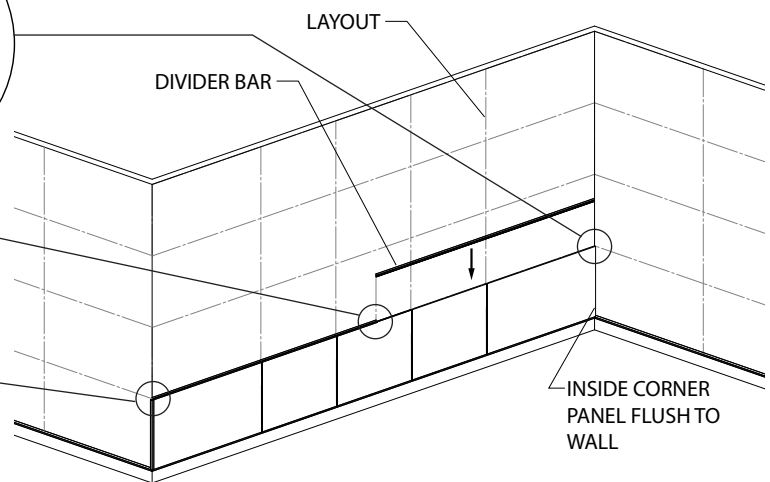
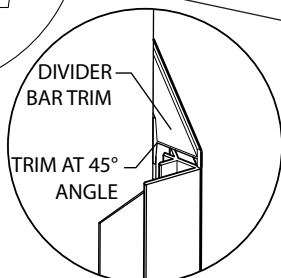


FIG.7C



IPC® Door + Wall Protection

inpro.com • 800.222.5556 • 262.679.9010

World Headquarters S80 W18766 Apollo Drive, Muskego, WI 53150 USA

Installation Hotline: 866.394.6776

**inpro**®

# Installation Instructions

## Palladium® Square Edge Panels

10. If installation calls for continuous horizontal trim pieces, rather than continuous vertical trim, continue install around corner conditions.
- Cut panel to appropriate size, and dry fit into position. When laying out panels for the inside corners allow make a deduction for the thickness of the inside corner trim.
  - Using metal snips trim the back face of the inside corner trim in a similar manner as the vertical divider bars. Apply a line of adhesive to the back face of the inside corner trim. FIG.9A
  - Firmly press the corner trim into position against the face of the intersecting panel. FIG.9B
  - Adhere panel to wall as described in step 4.

FIG.9A

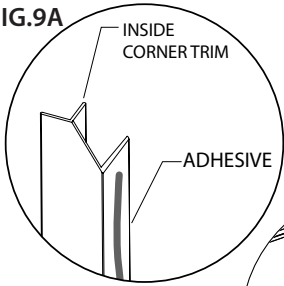
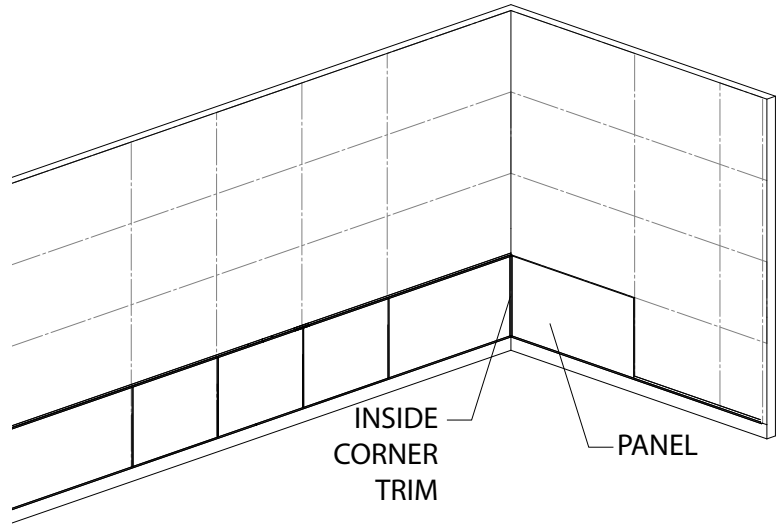
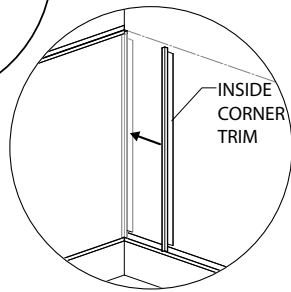
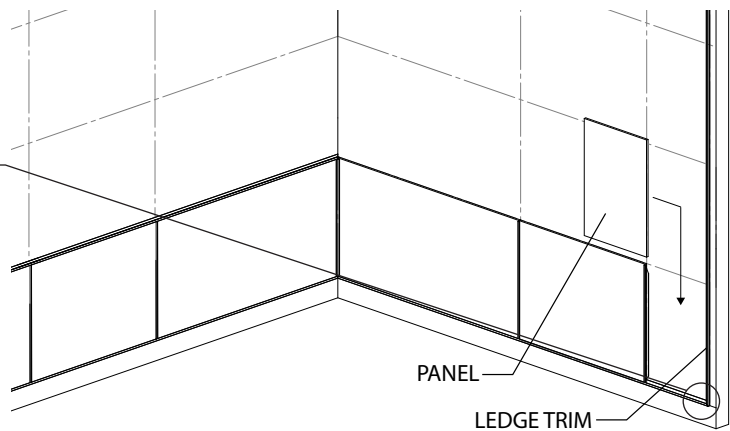
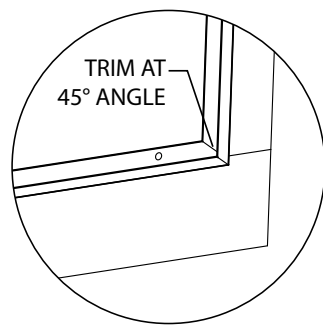


FIG.9B



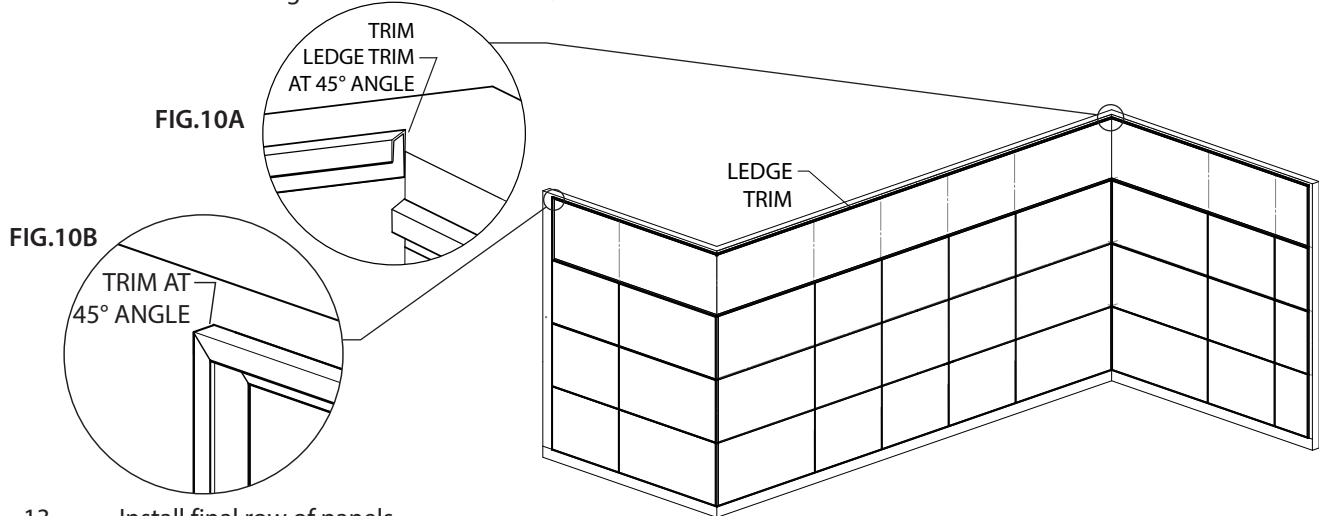
11. When installing panels towards a termination point, continue installing panels until there is one panel left in the layout. Install a continuous vertical length of ledge trim at the end of the run, ensure trim piece is plumb.
- When installing lengths greater than the length of the trim, butt two pieces of trim together ensuring joint is clean and free of gaps.
  - At vertical to horizontal transitions, trim both faces of the ledge trim at a 45° angle.
  - On the back face of the ledge trim, apply a single continuous line of adhesive down the entire length of the trim.
- NOTE: For wainscotting or partial height installations see step15.



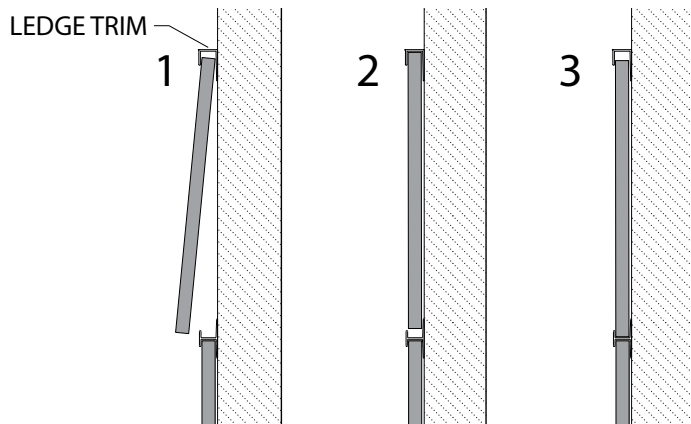
# Installation Instructions

## Palladium® Square Edge Panels

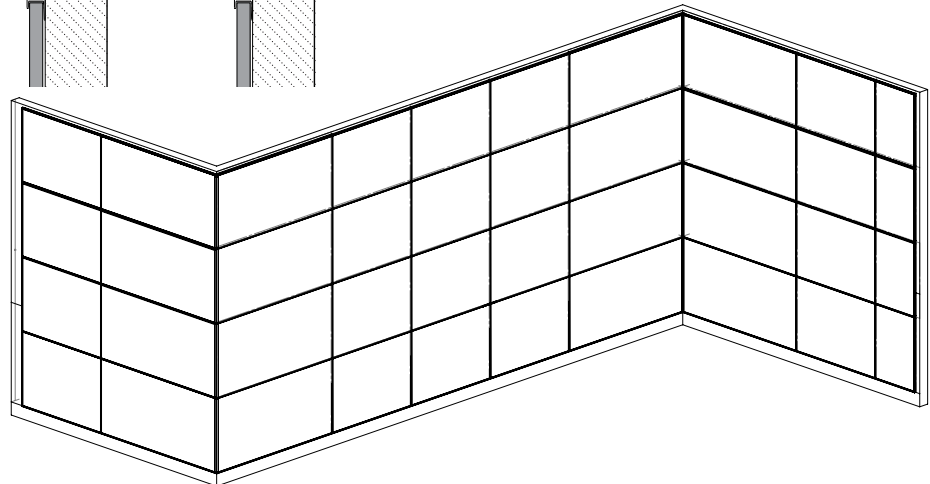
12. Once entire run is complete, repeat steps 3-11 for each consecutive row, until installation reaches the top row.  
a. Install horizontal top ledge trim in a continuous run, splicing each transition piece at 45°. Secure trim in place with a bead of construction grade adhesive. FIG.10A/FIG.10B



13. Install final row of panels.  
a. When installing panels, on the top row, install panels in same manner as before. Tilt top edge into the top ledge trim first, then press the panel into position against the wall, dropping the panel into position. If panel is lined with divider bars, Ensure each edge is over lapped by a trim piece, if needed shim panels so edges are cover by trim. It is up to the installer to determine which panel will be the final panel to install.



14. Installation complete.



IPC® Door + Wall Protection

inpro.com • 800.222.5556 • 262.679.9010

World Headquarters S80 W18766 Apollo Drive, Muskego, WI 53150 USA

Installation Hotline: 866.394.6776

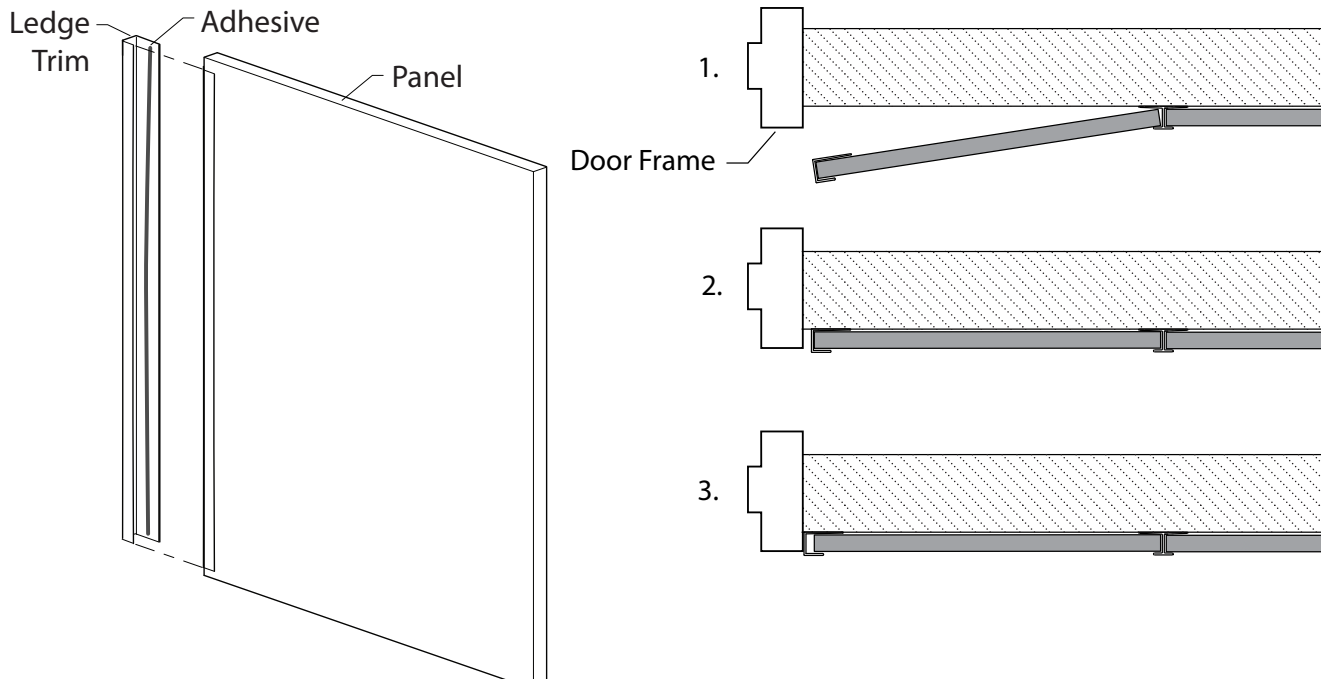
**inpro**®



# Installation Instructions

## Palladium® Square Edge Panels

15. When installing panels against a door frame it is recommended that the horizontal divider bar trim run continuous to the door frame. The panel which butts against the door frame must have the appropriate trim attached to the edge of the panel before installing the panel.
- Cut panel and vertical trim to the appropriate sizes
  - Apply construction grade adhesive to back of panel as described in step 3.
  - Apply a thin bead of adhesive to the front face of the rear flange and press trim onto the panel.
  - Position panel on wall, push trim piece flush against the door trim.



16. When cutting a panel for an outlet, layout outlet locations on panel before cutting.
- Using an electric drill, drill 4 holes on the inside of each corner, then cut out area using a jigsaw. **NOTE:** Ensure jigsaw boot will not mar the surface of the panel by using painters tape to cover surface of boot.
  - Adhere panel to wall.
  - Attach box extensions to outlet box. **NOTE:** Consult local electrical code for proper installation procedure.

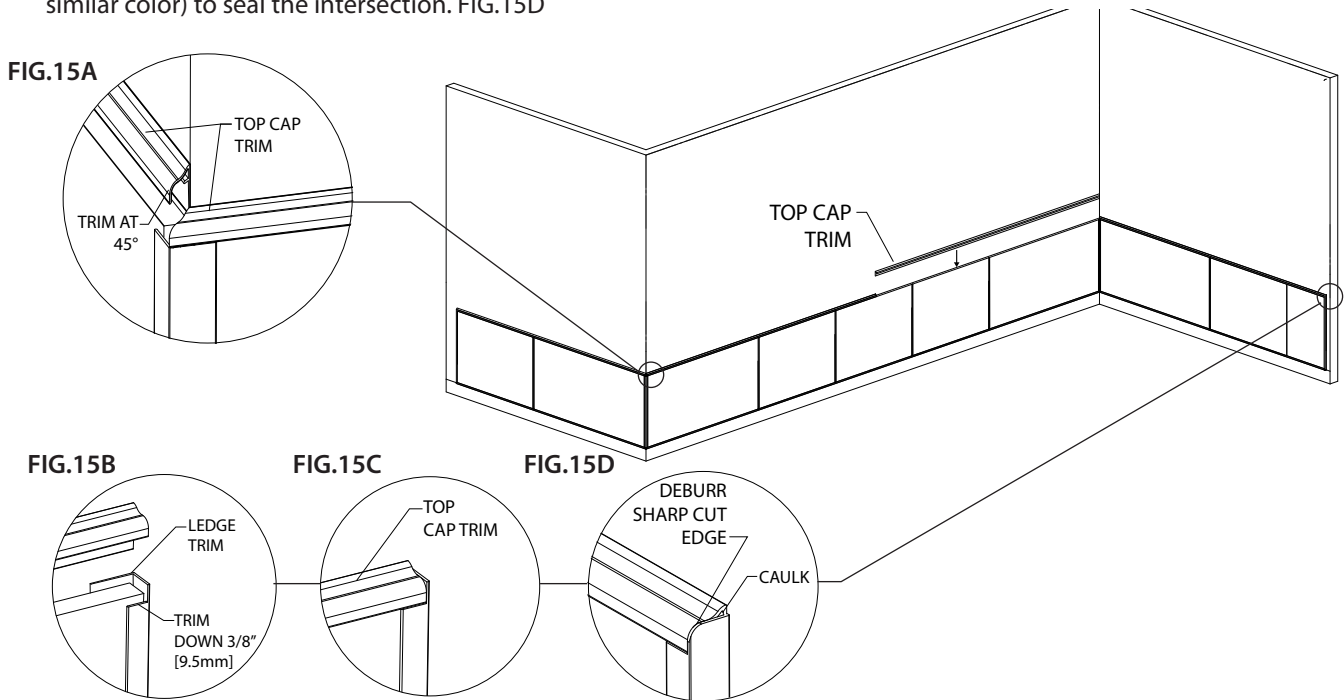
# Installation Instructions

## Palladium® Square Edge Panels

17. When installing partial height panels finish entire run. After entire run is complete, install a continuous run of top cap trim along the top of the panels, by sliding the large back face of the trim between the wall and panel. For installations ending at door frames or similar, run top cap trim continuous, butting flush against trim.

NOTE: A small bead of adhesive run along the back of the trim is optional to ensure the trim is securely fastened to the wall.

- At corner intersections, miter cut at 45° angles ensuring transition is snug and free of gaps. Deburr the transitions ensuring they are clean, and smooth. FIG.15A
- If run ends in and exposed vertical ledge trim 3/16" [ 4.7mm] over the height of the installed panel and trim the front face of the ledge trim down 3/8" [9.5mm]. FIG.15B
- Install top cap trim FIG.15C
- Using metal snips, trim sharp edge of ledge trim, deburr all exposed cut edges of the top cap trim, then use a caulk (of similar color) to seal the intersection. FIG.15D



### Deductions for Field Cut Panels

Ledge Trim	Top Cap Trim	Outside Corner Trim	Inside Corner Trim	Divider Bar Trim
Deduct: 1/8" [3mm]	Deduct: 5/16 [9.5mm]	Deduct: 0" [0mm]	Deduct: 7/16" [11mm] (From Intersecting Panel)	Deduct: 1/16" [1.5mm]

IPC® Door + Wall Protection

inpro.com • 800.222.5556 • 262.679.9010

World Headquarters S80 W18766 Apollo Drive, Muskego, WI 53150 USA

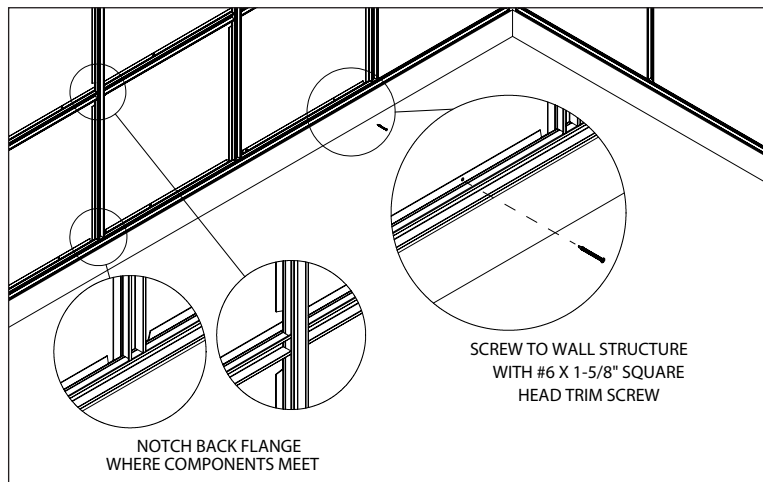
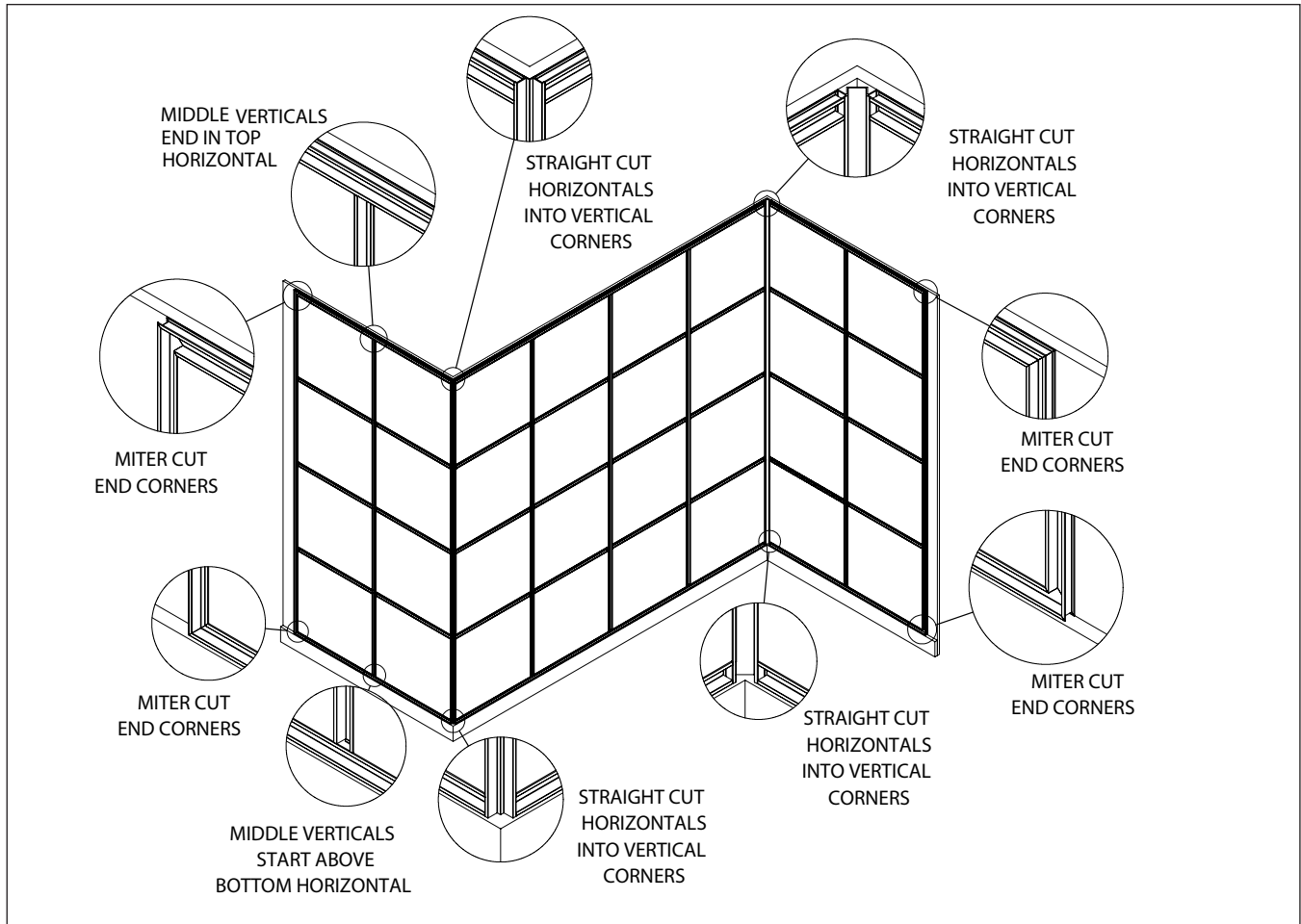
Installation Hotline: 866.394.6776

**inpro**®

# Installation Instructions

Palladium® Square Edge Panels

## Square Edge Panel Options, Panels with Reveal Trim, Full Height



IPC® Door + Wall Protection

[inpro.com](http://inpro.com) • 800.222.5556 • 262.679.9010

World Headquarters S80 W18766 Apollo Drive, Muskego, WI 53150 USA

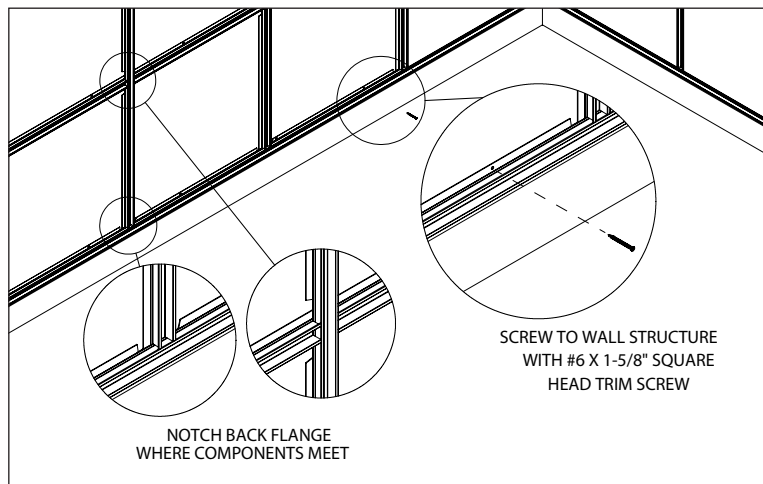
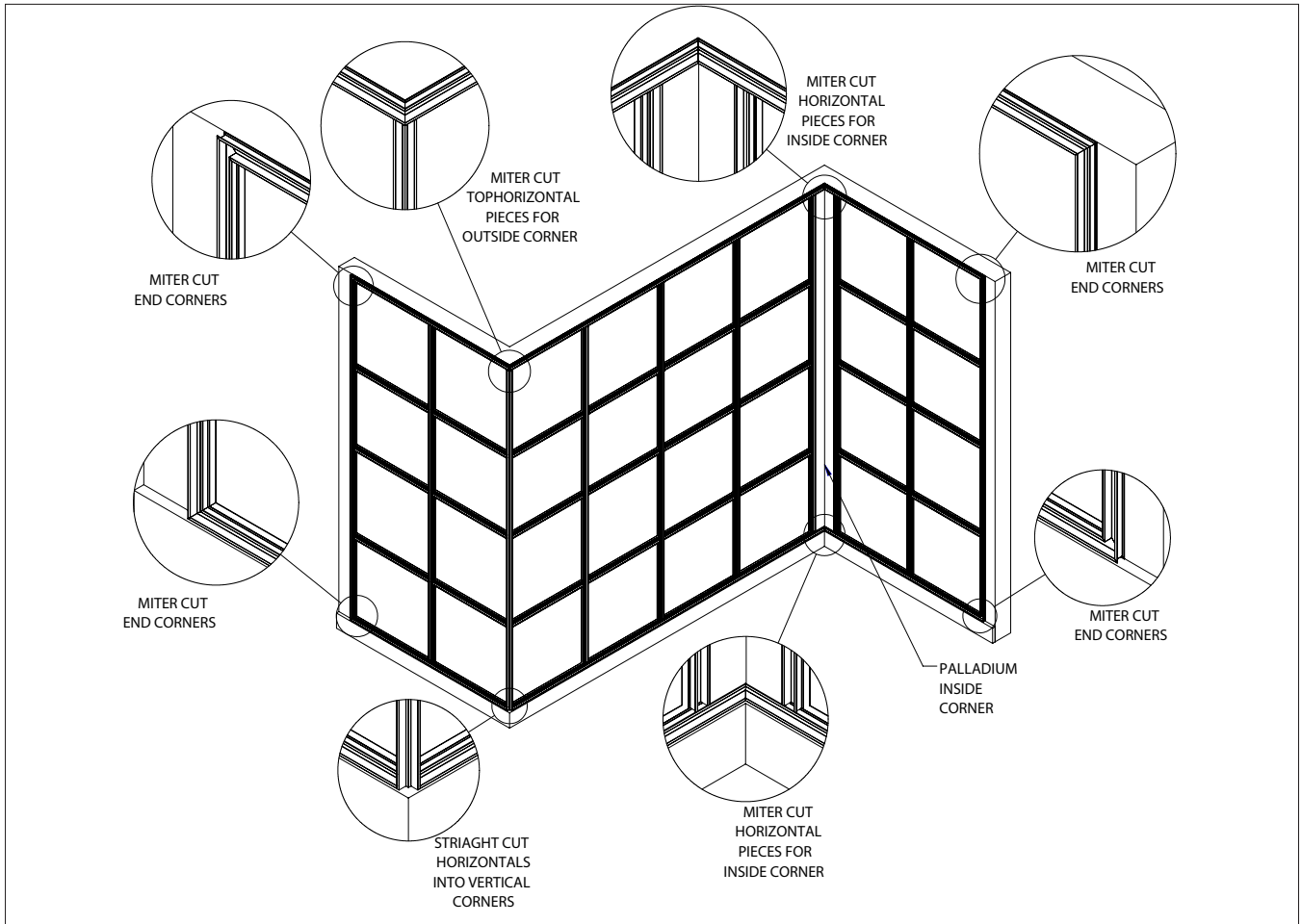
Installation Hotline: 866.394.6776

**inpro**®

# Installation Instructions

Palladium® Square Edge Panels

## Square Edge Panel Options, Panels with Reveal Trim, Full Height and Palladium Inside Corner



IPC® Door + Wall Protection

[inpro.com](http://inpro.com) • 800.222.5556 • 262.679.9010

World Headquarters S80 W18766 Apollo Drive, Muskego, WI 53150 USA

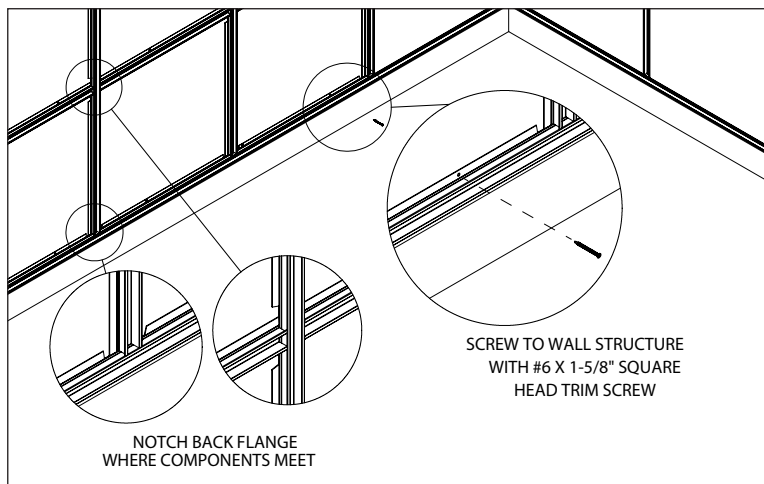
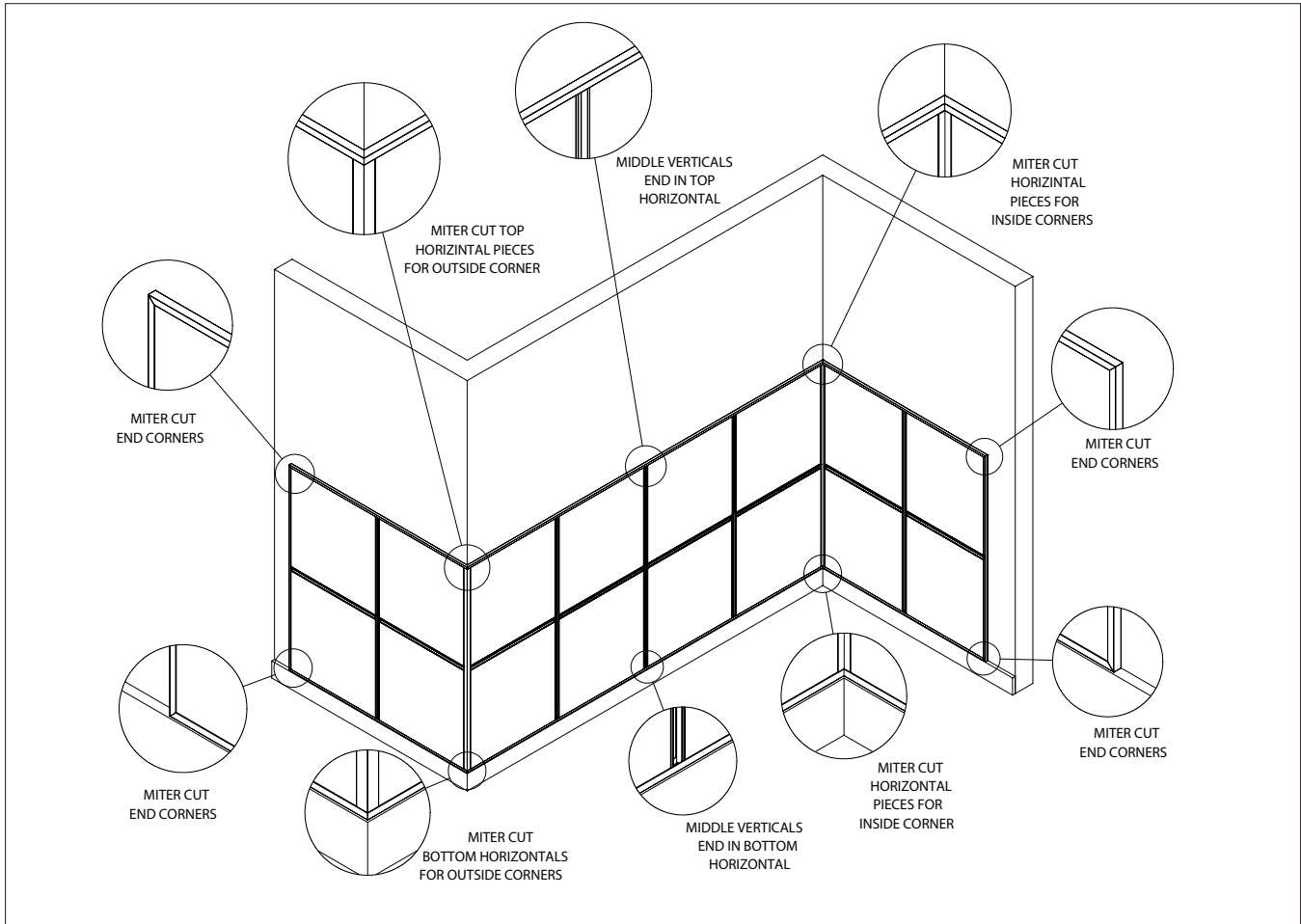
Installation Hotline: 866.394.6776

**inpro**®

# Installation Instructions

Palladium® Square Edge Panels

## Square Edge Panel Options, Panels with Reveal Trim and Flush Trim, Partial Height



IPC® Door + Wall Protection

[inpro.com](http://inpro.com) • 800.222.5556 • 262.679.9010

World Headquarters S80 W18766 Apollo Drive, Muskego, WI 53150 USA

Installation Hotline: 866.394.6776

**inpro**®